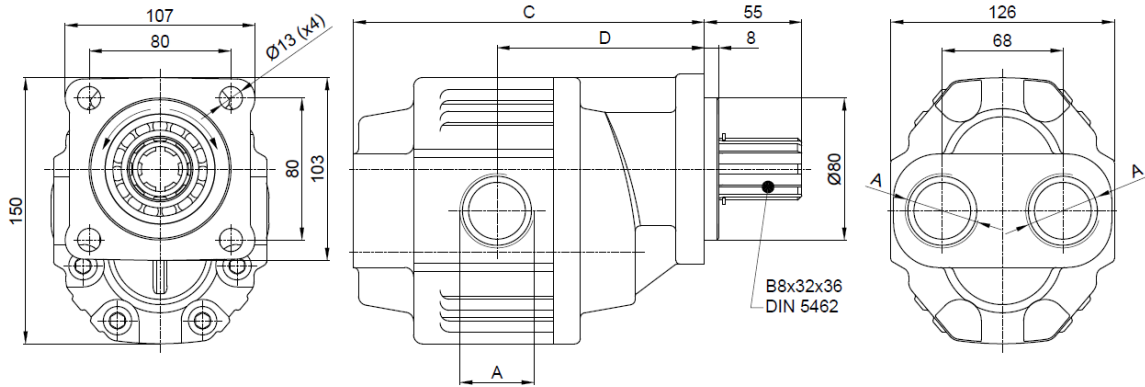




Main Dimensions



Right hand

Left hand

(Dimensions in mm)

Main Data

Pumps B34GT		38	45	52	61	70	82	90	105	115	125
Displacement	cm ³ /rev	38	46	52	61	70	82	91	102	116	125
Max. rotation speed	rpm	2600	2500	2200	2000	1900	1800	1800	1600	1600	1500
Min. rotation speed	rpm	500	500	500	500	500	500	500	500	500	500
Max. continuous pressure	bar	300	280	260	240	220	210	190	190	180	170
Max. intermittent pressure (max. 20s)	bar	320	300	280	260	240	230	210	210	200	190
Max. peak pressure (max. 6s)	bar	335	315	295	275	255	245	225	225	215	205
Weight	kg	11.0	11.2	11.5	12.5	13.0	13.5	14.0	15.0	15.5	16.0
Sense of rotation		Bi-directional									
A - Inlet /Outlet (DIN ISO 228)	G (BSP)	3/4"			1"	1 1/4"					
C	mm	171	176	179	185	191	198	204	213	219	226
D	mm	106	109	112	117	118	123	127	130	132	135

How to order:

Example: Pump 38cm³/rev, continuous pressure up to 300 bar; peak pressure up to 335 bar, ref.B34GT → B34GT38

Note: Usually, used in frontal cylinders

Fluids	mineral oils type ISO HM or DIN 51524-2 HLP	
Operating viscosity range	10 to 100 cSt (mm ² /s) at working temperature	
Max operating limits viscosity	750 cSt	
Oil temperature range	-25°C to 80°C	
Filtration	>200bar = 10µm	<200bar = 25 µm
In the application of any of these pumps; the use of these data does not exempt the reading of the instruction "Gear pumps recommendations before start-up".		

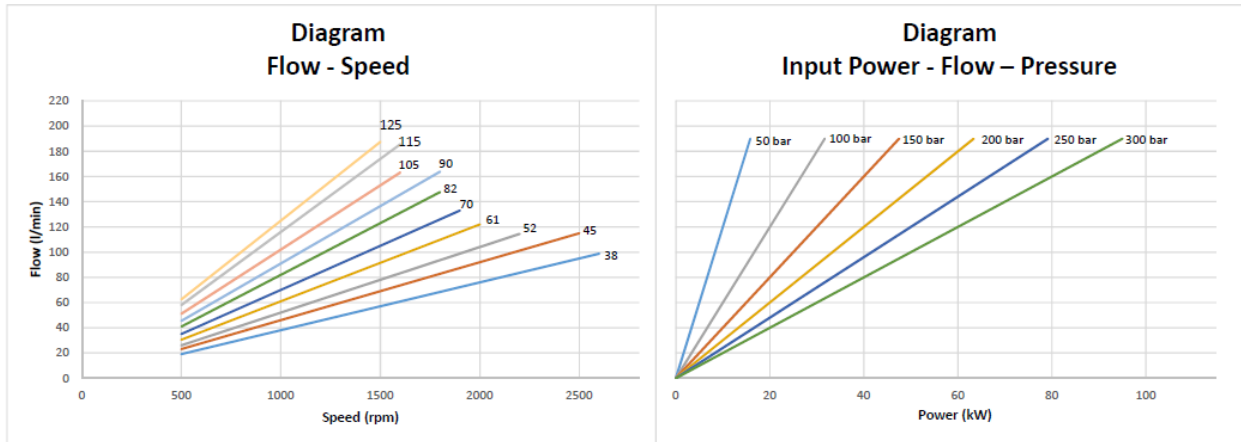
ABER is constantly engaged in improving its products and, therefore, reserves itself the right to modify without any further notice the characteristics shown



ABER - Embraiagens e Comandos Hidráulicos - A. B. LDA

Rua Francisco de Almeida, Nº 30 – Vila Nova da Telha – 4470 MAIA - Portugal

Telephone: +351.22.9438070 Fax: +351.22.9420823 e-mail: aber@aber.pt <http://www.aber.pt>



Hose dimensions

Inlet Hose	
Flow (l/min)	Internal pipe diameter (inch)
30-40	1"1/4
50-60	1"1/2
70-90	1"3/4
100-120	2"
130-150	2"1/4
160-190	2"1/2
200-230	2"3/4
240-270	3"

Outlet Hose				
Flow (l/min)	Internal pipe diameter (inch)			
	1/2"	1/2"	1/2"	1/2"
30	1/2"	1/2"	1/2"	1/2"
40	5/8"	1/2"	1/2"	1/2"
50	5/8"	5/8"	5/8"	1/2"
60	3/4"	5/8"	5/8"	5/8"
70	1"	3/4"	3/4"	5/8"
80	1"	3/4"	3/4"	3/4"
90	1"	1"	1"	3/4"
100	1"	1"	1"	1"
110	1"	1"	1"	1"
120	1"	1"	1"	1"
130	1"	1"	1"	1"
140	1"1/4	1"	1"	1"
150	1"1/4	1"	1"	1"
160	1"1/4	1"1/4	1"	1"
170	1"1/4	1"1/4	1"	1"
180	1"1/4	1"1/4	1"1/4	1"
190	1"1/4	1"1/4	1"1/4	1"
200	1"1/2	1"1/4	1"1/4	1"1/4
210	1"1/2	1"1/4	1"1/4	1"1/4
220	1"1/2	1"1/4	1"1/4	1"1/4
230	1"1/2	1"1/2	1"1/4	1"1/4
240	1"1/2	1"1/2	1"1/4	1"1/4
P (bar)				
50-100		100-150		200-300

Important notes:

- Other axis available, please consult "Axel options".

ABER is constantly engaged in improving its products and, therefore, reserves itself the right to modify without any further notice the characteristics shown



ABER - Embraigens e Comandos Hidráulicos - A. B. LDA

Rua Francisco de Almeida, Nº 30 – Vila Nova da Telha – 4470 MAIA - Portugal

Telephone: +351.22.9438070 Fax: +351.22.9420823 e-mail: aber@aber.pt <http://www.aber.pt>