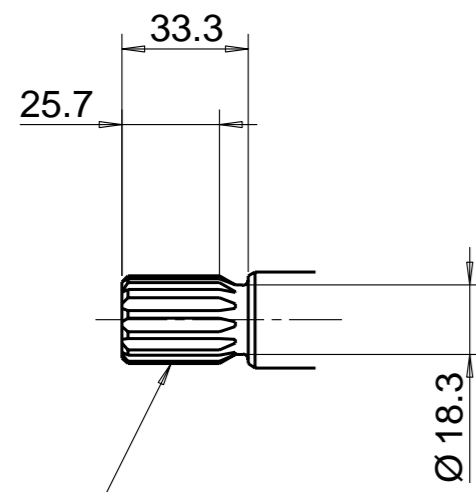
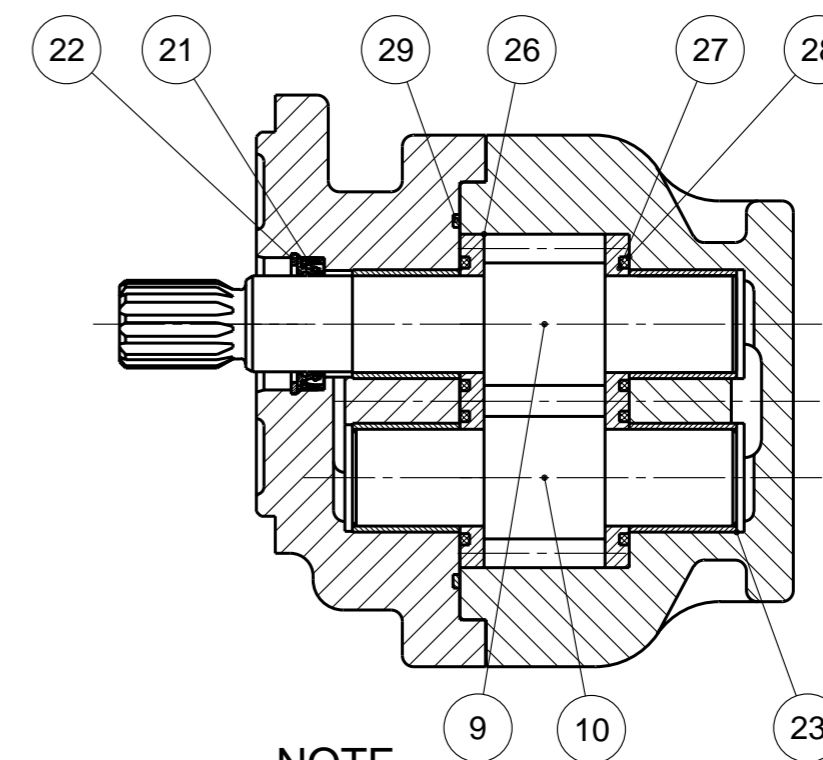
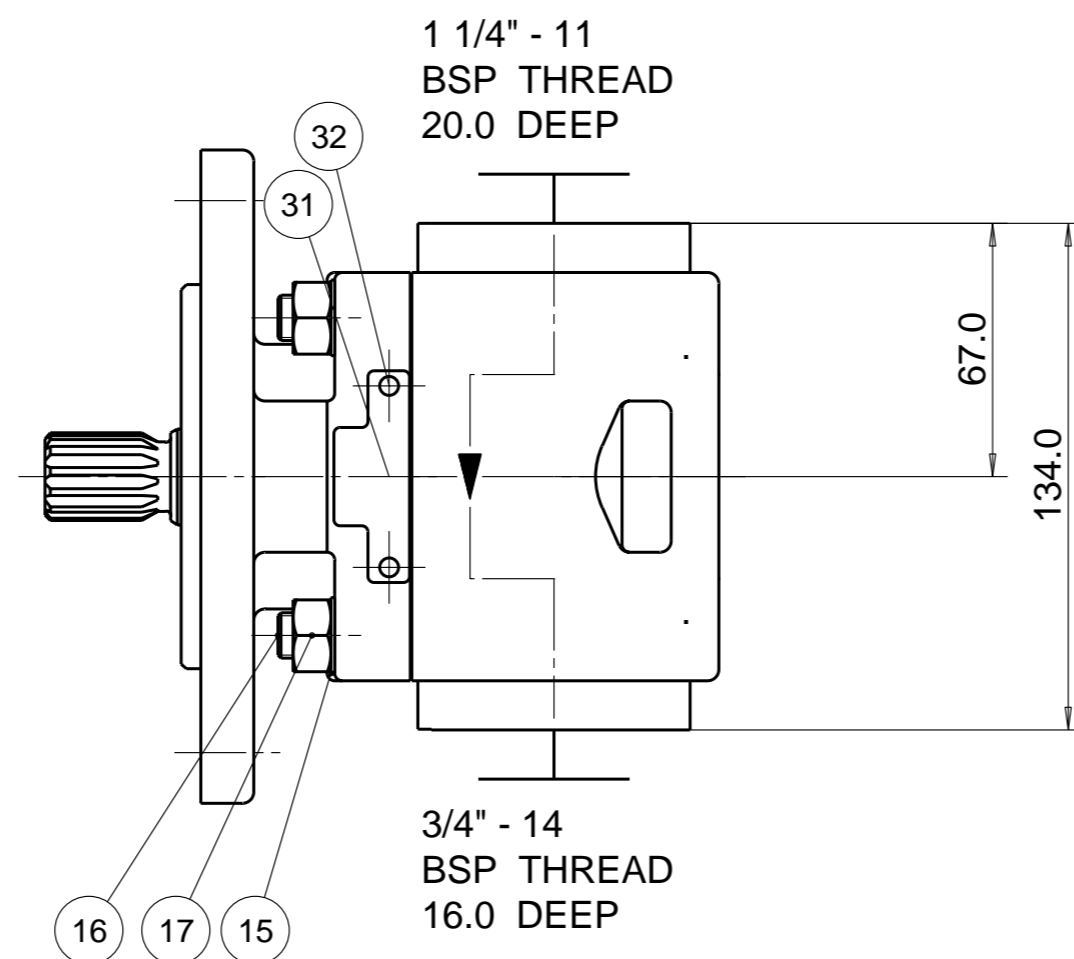
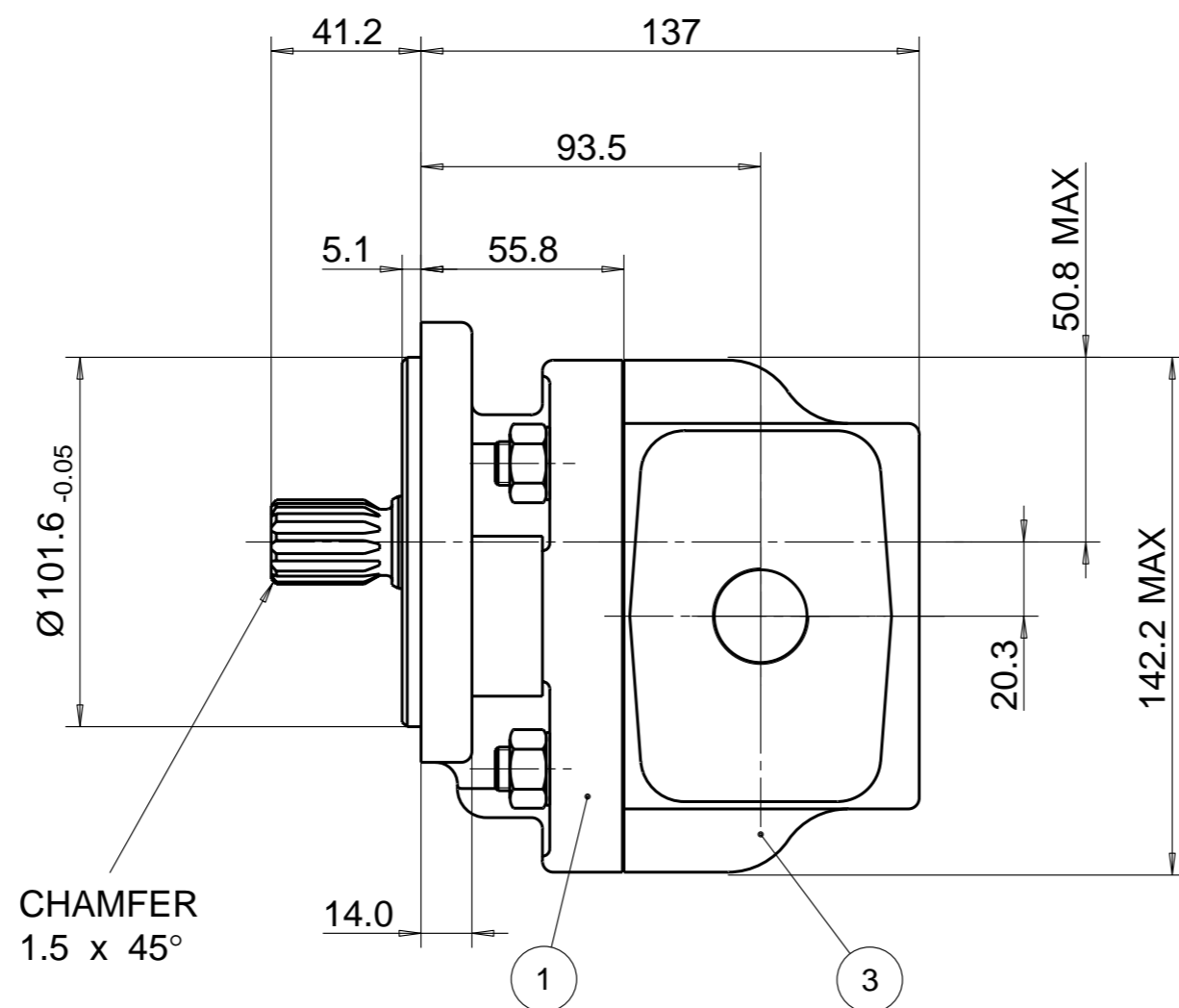
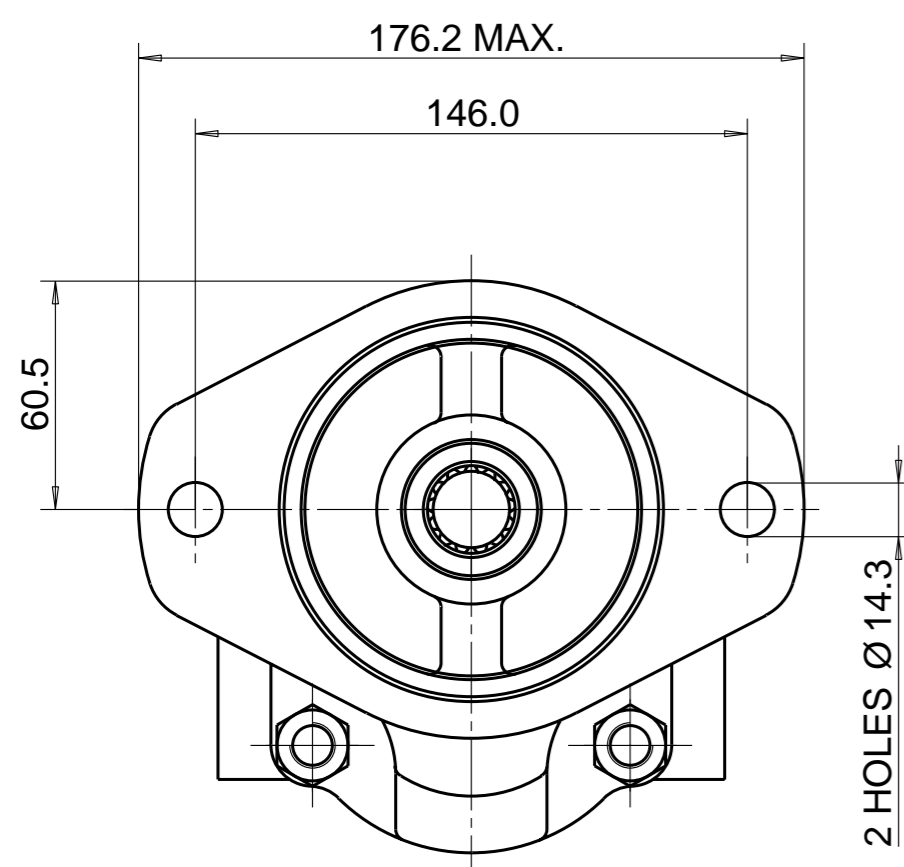


PUMP DATA	
DISPLACEMENT	29,0 ccm
MAX. PRESSURE	275 bar
SPEED RATE	500 TO 3000 min ⁻¹
MAX. INPUT SHAFT TORQUE	272 Nm
ROTATION	CLOCKWISE



SAE INVOLUTE SPLINE
13 TEETH - 16/32 PITCH
FLAT ROOT SIDE FIT
MAJOR DIA 21.67-21.79
MINOR DIA 18.631 MAX.



NOTE

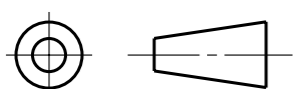
- 1 FOR ASSEMBLY INSTRUCTIONS SEE DWG. NO. "620-B1" "PGP620 PUMP ASSEMBLY INSTRUCTIONS".
- 2 NAMEPLATE LOCATION MAY VARY DUE TO DESIGN CRITERIA OR MANUFACTURING LOCATION. OPTIONAL FOR #31 & #32 GLUED LABEL 391 2183 396

28	8682-015-00Q	2	SEAL. ELEM.	36			
27	8682-016-00L	2	SEAL. ENERG	35			
26	8682-058-00M	2	BAL. PLATE	34			
25				33			
24				32	391 1432 004	2	SCREW. DR.
23	8682-018-00C	4	BUSH	31	391 2183 227	1	NAMEPLATE
22	9211-530-006	1	CIRCLIP	30			
21	8682-119-00W	1	SEAL. LIP	29	9312-641-004	1	SEAL. SECT.

ITEM	PART NO	REQD	ITEM	PART NO	REQD
20					
19					
18					
17	391 1451 149	4	M12 NUT		
16	8682-007-00M	4	M12 SCREW		
15	9222-575-009	4	WASHER		
14					
13					
12					
11					
10	702 2729 000	1	DRIVEN GEAR		
9	702 1129 400	1	DRIVE GEAR		
8					
7					
6					
5					
4					
3	702 8129 419	1	BODY		
2					
1	2PRF03S1M	1	FLANGE		
ITEM	PART NO	REQ'D	DESCRIPTION		

WITH EXCEPTION OF DRIVE SHAFT, FLANGE SPIGOT AND MTG. FACE PLUS AREAS AROUND PORTS, ALL SURFACES ARE PAINTED BLACK ZSS - A1 (AA-O-05.2)

THIRD ANGLE PROJECTION



EXP NO.

FIRST USED

10 - 08 - 617

702 9111 244

SYM.

REVISIONS

THIS DOCUMENT CONTAINS INFORMATION THAT IS CONFIDENTIAL AND PROPRIETARY TO PARKER-HANNIFIN CORPORATION ("PARKER"). THIS DOCUMENT IS FURNISHED ON THE UNDERSTANDING THAT THE DOCUMENT AND THE INFORMATION IT CONTAINS WILL NOT BE COPIED OR DISCLOSED TO OTHERS OR USED FOR ANY PURPOSE OTHER THAN CONDUCTING BUSINESS WITH PARKER, AND WILL BE RETURNED AND ALL FURTHER USE DISCONTINUED UPON REQUEST BY PARKER. ALL RIGHTS RESERVED.

PGP620A0290CD1H3VE7E5B1B1

MATERIAL

ADM CTR P
REV DTE 000000

H.E.-STD:

WT 12.6 kg

DIMENSIONS ARE —MM—

Parker Pump & Motor Division
Chemnitz

DR.BY DATE CH.BY DATE SCALE
RP 10AUG10 JS 10AUG10 1/2

702 9111 244

© 2010 Parker Hannifin Corporation