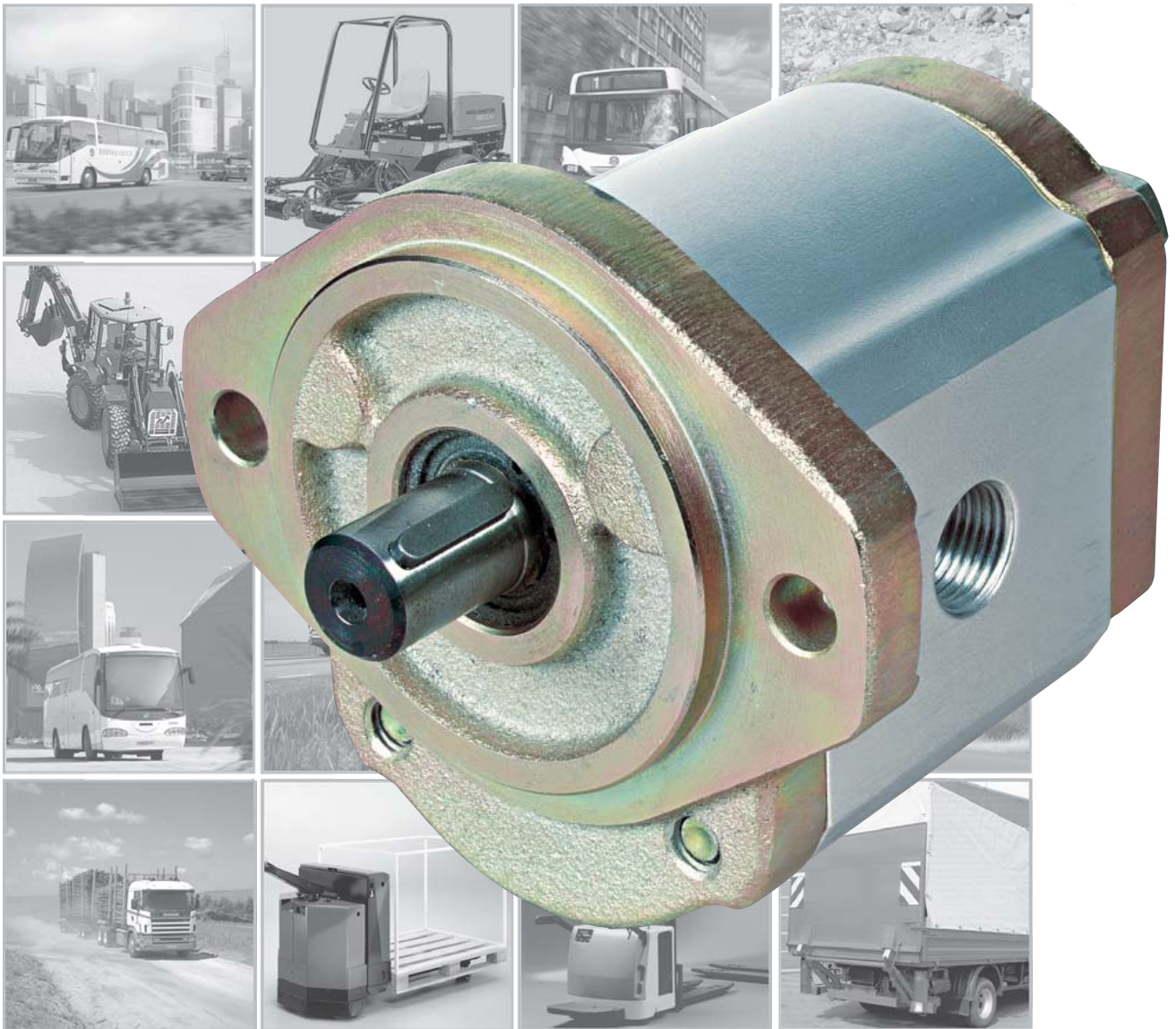




HIGH PRESSURE GEAR PUMP W900





THE POWER OF THE W900 A SERIES

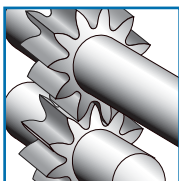
Concentric is one of the world's leading manufacturers of hydraulic pumps. In recent years we have focused on important markets, such as materials handling and vehicles, and now the result are in: a series of high-performance hydraulic pumps. The W900 series builds on the versatile technical platform represented by the W series.

W900 High Pressure Gear Pumps are optimized for demanding work, with harsh weather conditions, rugged operations and long service intervals. The W900 series is a range of cost-efficient group II pumps for all applications in which the customer's demands for quality and reliability are particularly high.



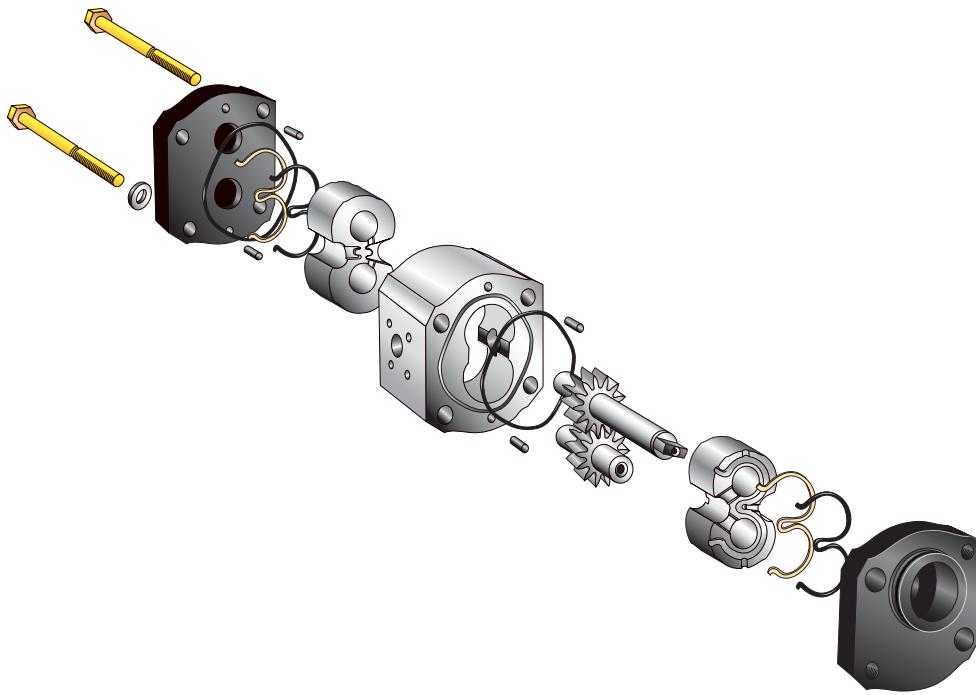
FLANGE CODE 03, 06, 07, 10, 11, 12, 13

4 - 9



EFFICIENCIES

10 - 11



Model code example for a single pump

WP 09 A 1 B 050 R 03 BA 150 N
 ① ② ③ ④ ⑤ ⑥ ⑦ ⑧ ⑨ ⑩ ⑪

- | | |
|------------------------------|---------------------|
| ① = Type | ⑦ = Rotation |
| ② = Series | ⑧ = Mounting flange |
| ③ = Design revision | ⑨ = Drive shaft |
| ④ = # of sections | ⑩ = Portings |
| ⑤ = Seal material | ⑪ = Valve options |
| ⑥ = Displacement per section | |

W900 DESCRIPTION

The W900 pumps are available in a single or multiple configuration of up to four sections. The basic pump is of a three piece modular design. Mounting flange and rear cover are of cast iron. The pump body is manufactured from high strength aluminium alloy.

For optimum strength, gears and shafts are precision machined in one piece. The 13-tooth gear geometry has been optimized for low noise level.

All shaft bearing surfaces are Teflon[®] coated and designed for long service life. They are continually cooled and lubricated by a controlled flow of fresh oil. This enables operation across a wide speed range at very high loads.

Multiple pumps in the W900 range are very compact. The drive shaft is capable of transmitting high torque even to the rear section. Each section has its own inlet and pressure ports. Single inlet features are optional for 2 and 3 section unit.

A wide range of mounting flanges and port sizes are available to meet international standards.

General data

Displacement V	5 - 31cc/rev
Speed n	500 - 4000 rpm
Pressure	
rated pressure p_r	up to 276 bar
intermittent pressure p_{II}	up to 300 bar
Operating temperatures t	up to 105° C
Average volumetric efficiency	97%
The maximum values for n, p_r and t for a given pump specification may be applied simultaneously.	

Options

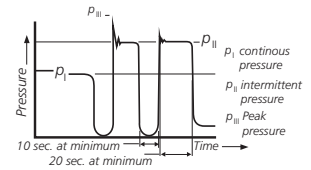
- SAE mounting flange, through bolt model.
- Rectangular flanges.
- Splined, tapered or straight shaft with key, tang shaft.
- Thread ports of flange ports.
- Clockwise or anti-clockwise rotation.
- Integrated valve features.
- Single inlet for multiple units.

PERFORMANCE DATA

Operating pressure range

Inlet port: continuous, minimum -0,20 bar
 intermittent, minimum -0,35 bar
 maximum +2,00 bar

Outlet port (See tables on pages 4-9)



Product has been tested to 1,000,000 cycles at p_r . Pressure p_{II} is permitted at maxi. 20 sec loaded following 10 sec minimum unloaded.

Product has been tested to 500,000 cycles at p_{III} . Above represents performance which can be expected from units incorporating flange port styles.

Speed range

Minimum speed for all pump sizes is $n=500$ rpm at maximum pressure p_r .

Maximum speed for single pumps depends on the pump model in question and can be identified from tables on pages 4-9 for respective models.

Maximum speed for multiple pumps is the lowest one specified (See tables on pages 4-9) for any section of the configuration in question.

Noise performance data according to DIN 45 635. Typical levels at 200 bar and 2300 rpm using mineral oil with viscosity of 40 mm²/s and at temperature of 50° C:

W9A1-08	W9A1-16	W9A1-23
60 dB(A)	65 dB(A)	68 dB(A)

Hydraulic fluids. The use of HL- or HLP-hydraulic oil according to DIN 51 524 is recommended.

The permissible viscosity for all W900 pumps ranges from 750 to 10 mm²/s. The recommended operating viscosity range is from 40 to 16 mm²/s.

The permissible cold start viscosity is 2000 mm²/s.

We recommend to contact Haldex before using fire resistant or bio-degradable fluids.

Temperature range

Amb. temperature	mini.-25° C	maxi. +80° C
Fluid temperature	continuous operation	maxi. +90° C
	short term operation	maxi. +105° C

Please note

Viscosities -when operating at above temperature limits-have to remain within the range specified under "Hydraulic Fluids".

Fluid cleanliness

Fluid cleanliness according to ISO 4406/1986 code 18/14 or better is required in order to assure the pump's high level of efficiency in the long term.

Drive arrangement

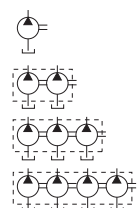
Flexible couplings are preferred for direct drives. Please contact Concentric for indirect drive requirements. Pumps with outboard side load bearing are available.

Mounting position

As required.

Symbols

Single pump
 Double pump
 Triple pump
 Quadruple pump



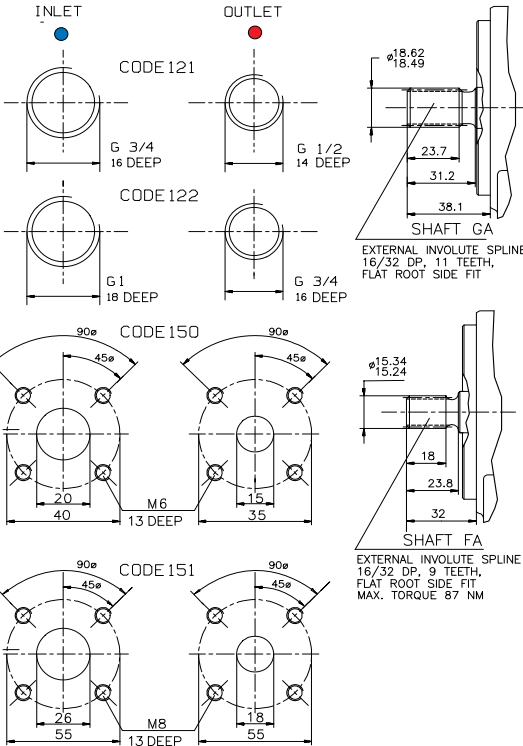
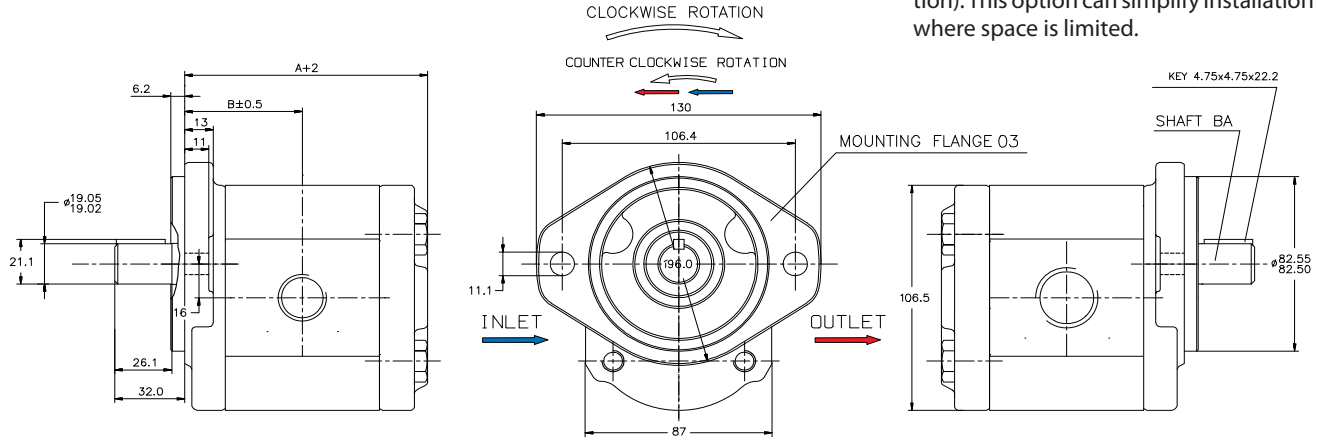


FLANGE CODE 03 (SAE A 2 BOLT)

All shaft bearings are continually cooled and lubricated by a controlled flow of fresh oil. This enables operation across a wide speed range at very high loads. The large sized slide bearings support the pump's long-life condition.

A wide range of mounting flanges and port sizes are available to meet European and international standards.

W900 pumps may also be supplied with threaded ports in the rear cover (Rear cover's shape is prepared for this option). This option can simplify installation where space is limited.

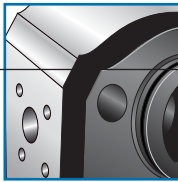


Model code example for a single pump

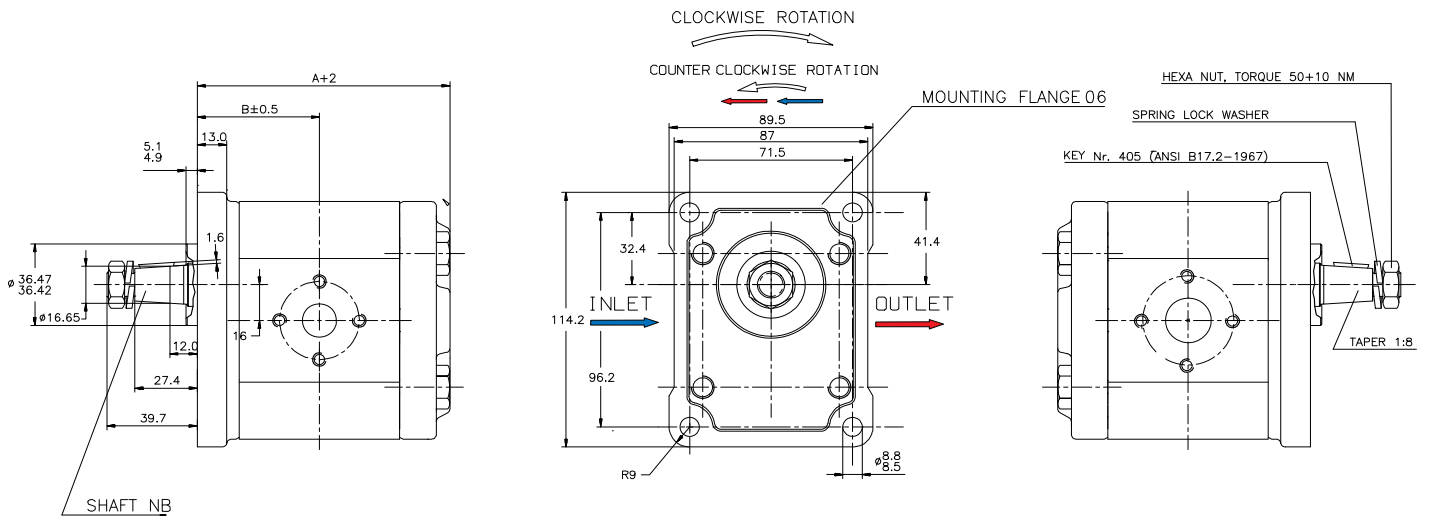
WP 09 A 1 B 050 R 03 BA 150 N
 ① ② ③ ④ ⑤ ⑥ ⑦ ⑧ ⑨ ⑩ ⑪

- ① = Type WP - Pump
- ② = Series 09 - 900
- ③ = Design revision A
- ④ = # of sections
 1 - Single
 2 - Duplex
 3 - Triplex
 4 - Quadruple
- ⑤ = Seal material B - Buna
- ⑥ = Displacement per section (See Code Displ. below)
- ⑦ = Rotation
 R - Clockwise
 L - Counter clockwise
- ⑧ = Mounting flange 03 SAE A 2-Bolt
- ⑨ = Drive shaft
 BA SAE A Key Ø 0,75"
 GA SAE A Spline 11-t
 FA SAE A Spline 9-t
- ⑩ = Portings
 121 - G3/4" + G1/2" BSPP
 122 - G1" + G3/4" BSPP
 150 - 20 mm + 15 mm 4-b flange
 151 - 26 mm + 18 mm 4-b flange
- ⑪ = Valve options N - None

Size	Rated pressure (bar)		Maximum speed (rpm)		Dimensions		Weight (approx.) [kg]
	Shaft c. 'BA'/'GA'	Shaft c. 'FA'	Port. c. '121'/'150'	Port. c. '122'/'151'	A [mm]	B [mm]	
050 - 5,0cc	276	276	4000	-	90,1	43,3	3,7
060 - 6,0cc	276	276	4000	-	91,6	44,0	3,8
080 - 8,0cc	276	276	4000	-	94,6	45,5	3,9
110 - 11,0cc	276	276	3600	-	99,0	47,7	4,1
140 - 14,0cc	276	276	3300	-	103,5	50,0	4,2
160 - 16,0cc	276	276	3000	-	106,4	51,4	4,3
190 - 19,0cc	276	265	3000	-	110,9	53,7	4,4
230 - 23,0cc	221	221	2800	3500	116,8	56,6	4,6
270 - 27,0cc	185	185	-	3000	122,7	59,6	4,8
310 - 31,0cc	170	165	-	2500	128,7	62,6	5,0

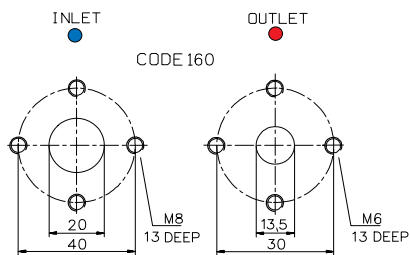


FLANGE CODE 06



Model code example for a single pump

WP 09 A 1 B 050 R 06 NB 160 N
 (1) (2) (3) (4) (5) (6) (7) (8) (9) (10) (11)

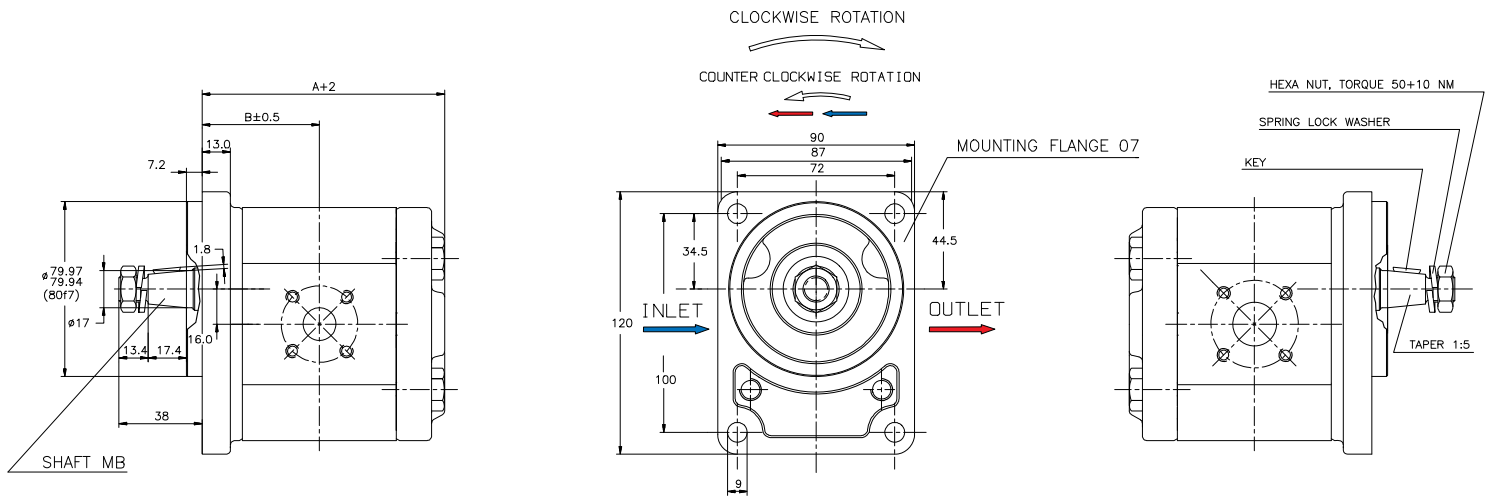


- (1) = Type WP - Pump
- (2) = Series 09 - 900
- (3) = Design revision A
- (4) = # of sections
 1 - Single
 2 - Duplex
 3 - Triplex
 4 - Quadruple
- (5) = Seal material B - Buna
- (6) = Displacement per section
 (See Code Displ. below)
- (7) = Rotation
 R - Clockwise
 L - Counter clockwise
- (8) = Mounting flange
 06 Rect. Ø 36,5 mm pilot
- (9) = Drive shaft
 NB European Tapered shaft 1:8
- (10) = Portings
 160 - 20 mm + 13,5 mm
- (11) = Valve options N - None

Size	Rated pressure (bar)	Maximum speed (rpm) Port. c. '160'	Dimensions		Weight (approx.) [kg]
			A [mm]	B [mm]	
050 - 5,0cc	276	4000	90,1	43,3	3,7
060 - 6,0cc	276	4000	91,6	44,0	3,8
080 - 8,0cc	276	4000	94,6	45,5	3,9
110 - 11,0cc	276	3600	99,0	47,7	4,1
140 - 14,0cc	276	3300	103,5	50,0	4,2
160 - 16,0cc	276	3000	106,4	51,4	4,3
190 - 19,0cc	276	3000	110,9	53,7	4,4
230 - 23,0cc	221	2800	116,8	56,6	4,4
270 - 27,0cc	185	2350	122,7	59,6	4,8
310 - 31,0cc	170	1900	128,7	62,6	5,0

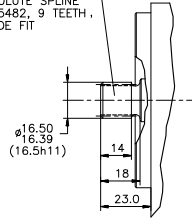


FLANGE CODE 07



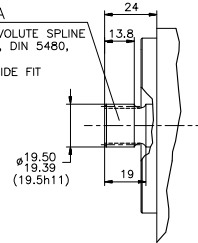
SHAFT JA

EXTERNAL INVOLUTE SPLINE
B17x14, DIN 5482, 9 TEETH,
FLAT ROOT SIDE FIT



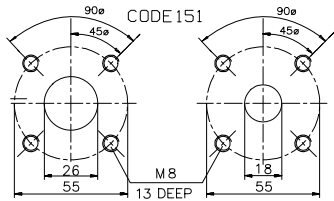
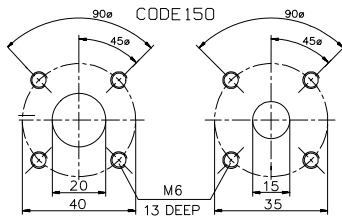
SHAFT HA

EXTERNAL INVOLUTE SPLINE
W20x1.25x9g, DIN 5480,
14 TEETH,
FLAT ROOT SIDE FIT



INLET

OUTLET



Model code example for a single pump

WP 09 A 1 B 060 R 07 MB 150 N
 ① ② ③ ④ ⑤ ⑥ ⑦ ⑧ ⑨ ⑩ ⑪

① = Type WP - Pump

② = Series 09 - 900

③ = Design revision A

④ = # of sections 1 - Single
2 - Duplex
3 - Triplex
4 - Quadruple

⑤ = Seal material B - Buna

⑥ = Displacement per section
(See table below)

⑦ = Rotation

R - Clockwise
L - Counter clockwise

⑧ = Mounting flange
07 Rect. Ø 80 mm pilot

⑨ = Drive shaft
MB European Tapered shaft 1:5
JA DIN 5482 Spline 9-t
HA DIN 5480 Spline 14-t

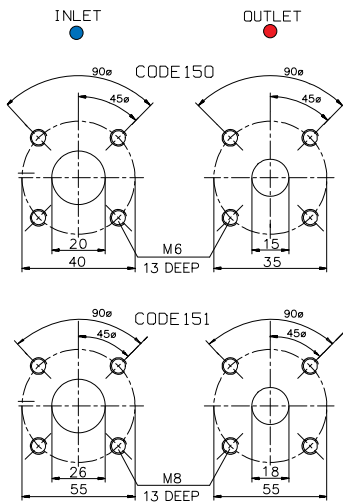
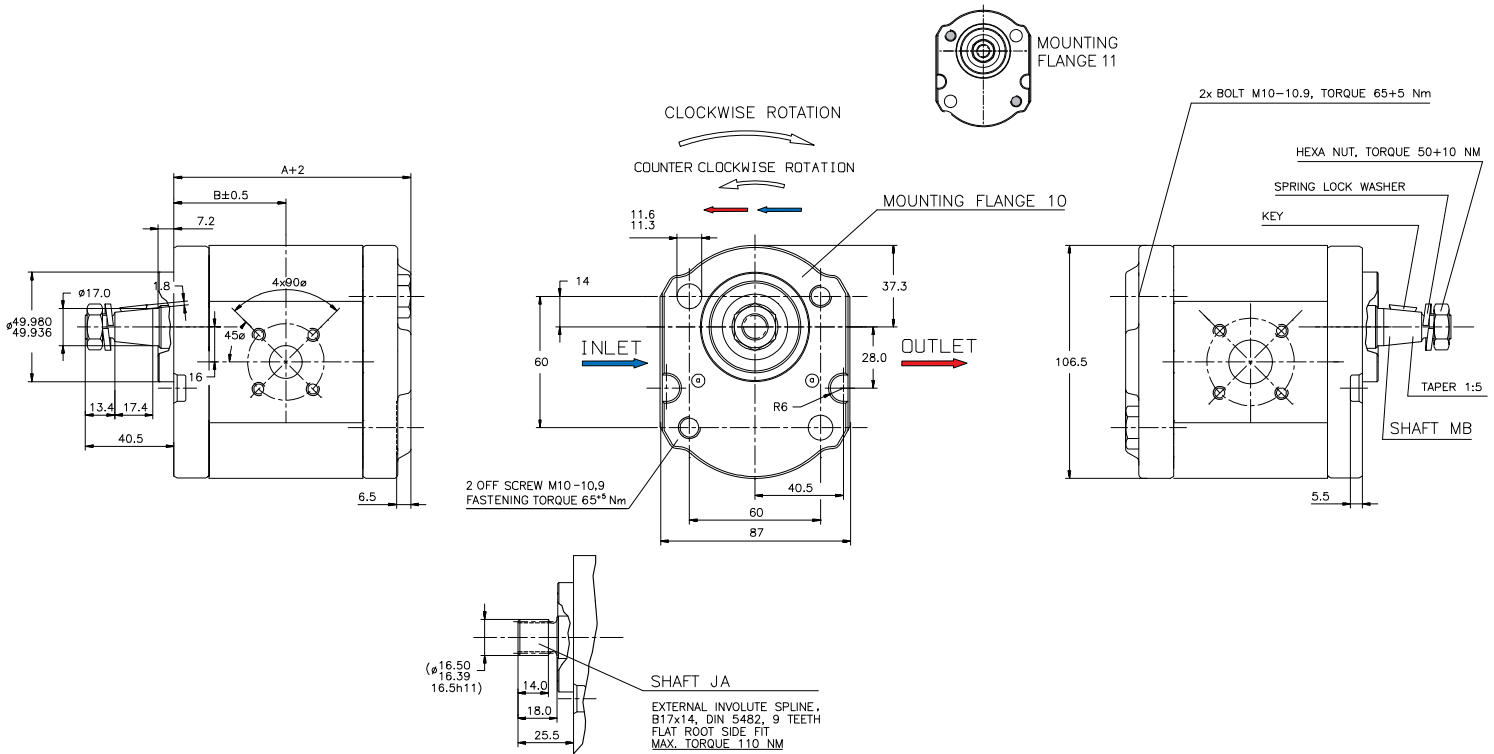
⑩ = Portings
150 - 20 mm + 15 mm 4-b flange
151 - 26 mm + 18 mm 4-b flange

⑪ = Valve options N - None

Size	Rated pressure (bar)	Maximum speed (rpm)		Dimensions		Weight (approx.) [kg]
		Port. c. '150'	Port. c. '151'	A [mm]	B [mm]	
050 - 5,0cc	276	4000	-	90,1	43,3	3,7
060 - 6,0cc	276	4000	-	91,6	44,0	3,8
080 - 8,0cc	276	4000	-	94,6	45,5	3,9
110 - 11,0cc	276	3600	-	99,0	47,7	4,1
140 - 14,0cc	276	3300	-	103,5	50,0	4,2
160 - 16,0cc	276	3000	-	106,4	51,4	4,3
190 - 19,0cc	276	3000	-	110,9	53,7	4,4
230 - 23,0cc	221	2800	3500	116,8	56,6	4,4
270 - 27,0cc	185	-	3000	122,7	59,6	4,8
310 - 31,0cc	170	-	2500	128,7	62,6	5,0



FLANGE CODE 10 OR CODE 11 (THROUGH BOLT Ø50 mm PILOT)



Model code example for a single pump

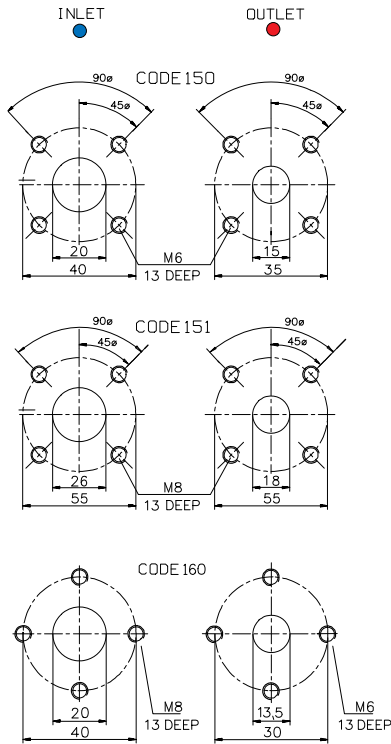
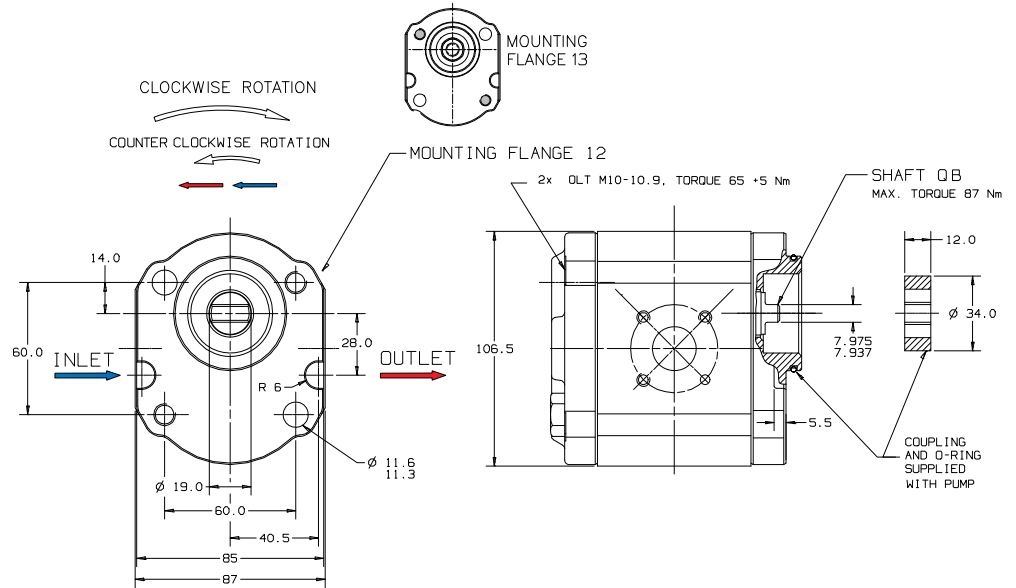
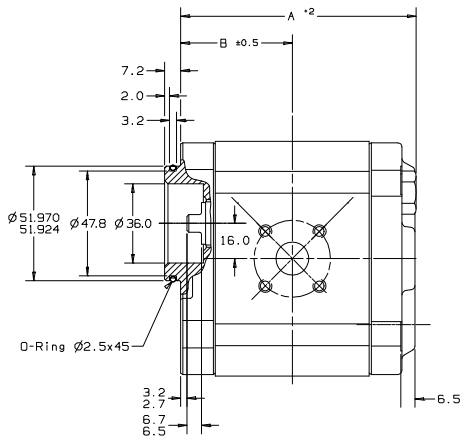
WP 09 A 1 B 060 R 10 MB 150 N
 ① ② ③ ④ ⑤ ⑥ ⑦ ⑧ ⑨ ⑩ ⑪

- ① = Type WP - Pump
- ② = Series 09 - 900
- ③ = Design revision A
- ④ = # of sections 1 - Single
2 - Duplex
3 - Triplex
4 - Quadruple
- ⑤ = Seal material B - Buna
- ⑥ = Displacement per section (See table below)
- ⑦ = Rotation
R - Clockwise
L - Counter clockwise
- ⑧ = Mounting flange
10 Through-bolt Ø 50 mm pilot
11 Through-bolt Ø 50 mm pilot
- ⑨ = Drive shaft
MB European Tapered shaft 1:5
JA DIN 5482 Spline 9-t
- ⑩ = Portings
150 - 20 mm + 15 mm 4-b flange
151 - 26 mm + 18 mm 4-b flange
- ⑪ = Valve options N - None

Size	Rated pressure (bar)	Maximum speed (rpm)		Dimensions		Weight (approx.) [kg]
		Port. c.'150'	Port. c.'151'	A [mm]	B [mm]	
050 - 5,0cc	276	4000	-	87,6	40,8	3,7
060 - 6,0cc	276	4000	-	89,1	41,5	3,8
080 - 8,0cc	276	4000	-	92,1	43,0	3,9
110 - 11,0cc	276	3600	-	96,5	45,2	4,1
140 - 14,0cc	276	3300	-	101,0	47,5	4,2
160 - 16,0cc	276	3000	-	103,9	48,9	4,3
190 - 19,0cc	276	3000	-	108,4	51,2	4,4
230 - 23,0cc	221	2800	3500	114,3	54,1	4,6
270 - 27,0cc	185	-	3000	120,2	57,1	4,8
310 - 31,0cc	170	-	2500	126,2	60,1	5,0



FLANGE CODE 12 OR CODE 13 - WITHOUT SHAFT SEAL (THROUGH BOLT Ø52 mm PILOT)



Model code example for a single pump

WP 09 A 1 B 060 R 12 QB 150 N
① ② ③ ④ ⑤ ⑥ ⑦ ⑧ ⑨ ⑩ ⑪

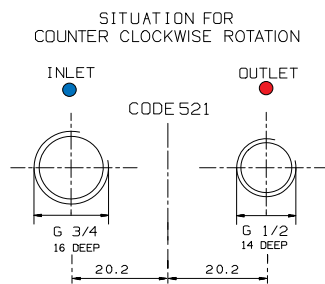
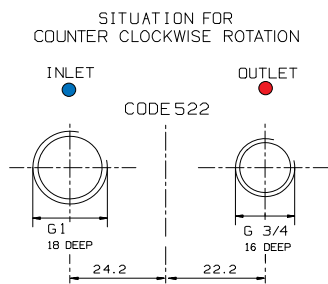
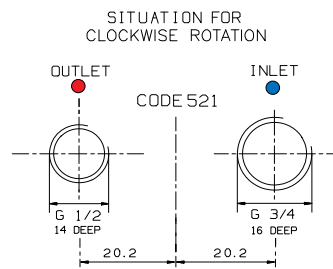
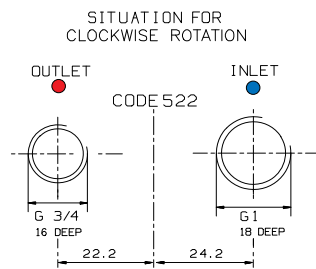
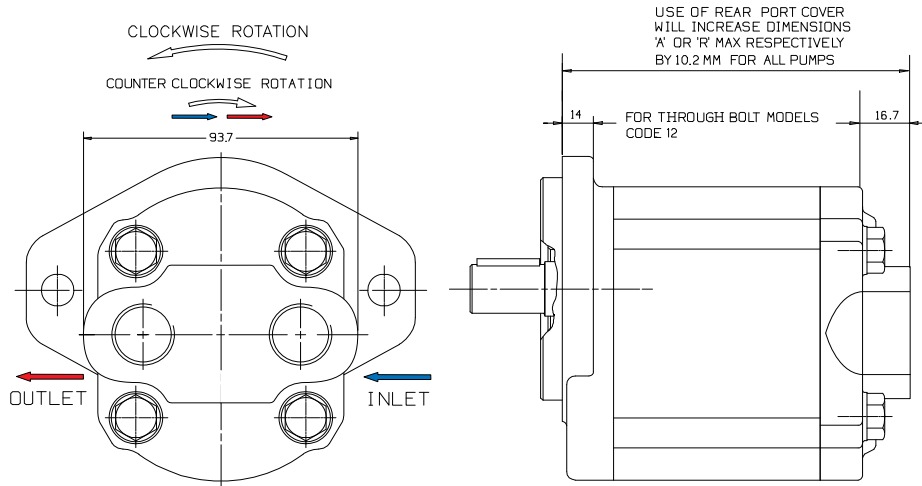
- ① = Type WP - Pump
- ② = Series 09 - 900
- ③ = Design revision A
- ④ = # of sections 1 - Single
2 - Duplex
3 - Triplex
4 - Quadruple
- ⑤ = Seal material B - Buna
- ⑥ = Displacement per section (See table below)
- ⑦ = Rotation
R - Clockwise
L - Counter clockwise
- ⑧ = Mounting flange
12 Through-bolt Ø 52 mm pilot
13 Same as 12 but opposite bolt pattern
- ⑨ = Drive shaft
QB Wet Tang
- ⑩ = Portings
150 - 20 mm + 15 mm 4-b flange
151 - 26 mm + 18 mm 4-b flange
160 - 20 mm + 13,5 mm 4-b flange
- ⑪ = Valve options N - None

Size	Rated pressure (bar) Shaft 'QB'	Maximum speed (rpm)		Dimensions		Weight (approx.) [kg]
		Port. '150'/'160'	Port. '151'	A [mm]	B [mm]	
050 - 0,5cc	276	4000	-	87,6	40,8	3,7
060 - 0,6cc	276	4000	-	89,1	41,5	3,8
080 - 0,8cc	276	4000	-	92,1	43,0	3,9
110 - 11,0cc	276	3600	-	96,5	45,2	4,1
140 - 14,0cc	276	3300	-	101,0	47,5	4,2
160 - 16,0cc	276	3000	-	103,9	48,9	4,3
190 - 19,0cc	265	3000	-	108,4	51,2	4,4
230 - 23,0cc	221	2800	3500	114,3	54,1	4,6
270 - 27,0cc	185	-	3000	120,2	57,1	4,8
310 - 31,0cc	160	-	2500	126,2	60,1	5,0

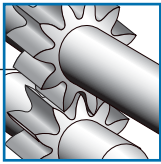


REAR PORT

Rear port end cover can be combined with all flange and shaft options. All technical data from the preceding pages apply to this model.



Size	Rated pressure (bar)	Maximum speed (rpm)		Weight (approx.) [kg]
		Port. '521'	Port. '522'	
WP09AX				
050 - 5,0cc		4000	-	3,7
060 - 6,0cc		4000	-	3,8
080 - 8,0cc		4000	-	3,9
110 - 11,0cc	can be taken from Tables on pages 4-8	3600	-	4,1
140 - 14,0cc		3300	-	4,2
160 - 16,0cc		3000	-	4,3
190 - 19,0cc		3000	-	4,4
230 - 23,0cc		2800	3500	4,6
270 - 27,0cc		-	3000	4,8
310 - 31,0cc		-	2500	5,0



MULTIPLE PUMPS

The two following parameters are of the utmost importance when selecting multiple pumps and must never be exceeded:

- Drive shaft load index "A"
- Internal coupling load index "K"

Maxi. load index K 5240
for double pump

$$K = (p_2 \times V_2)$$

for triple pump

$$K = (p_2 \times V_2) + (p_3 \times V_3)$$

for quadruple pump

$$K = (p_2 \times V_2) + (p_3 \times V_3) + (p_4 \times V_4)$$

Maximum drive shaft load index "A",
see table below
for double pump

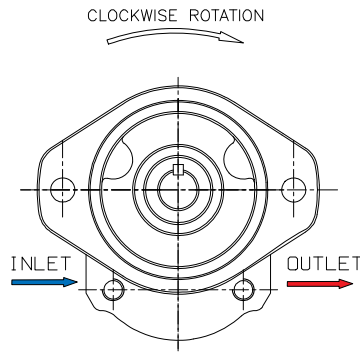
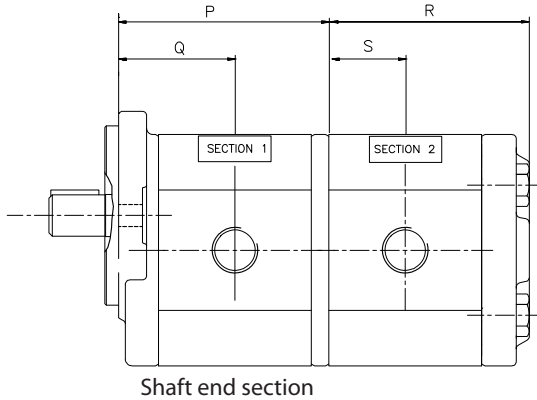
$$A = (p_1 \times V_1) + (p_2 \times V_2)$$

for triple pump

$$A = (p_1 \times V_1) + (p_2 \times V_2) + (p_3 \times V_3)$$

for quadruple pump

$$A = (p_1 \times V_1) + (p_2 \times V_2) + (p_3 \times V_3) + (p_4 \times V_4)$$

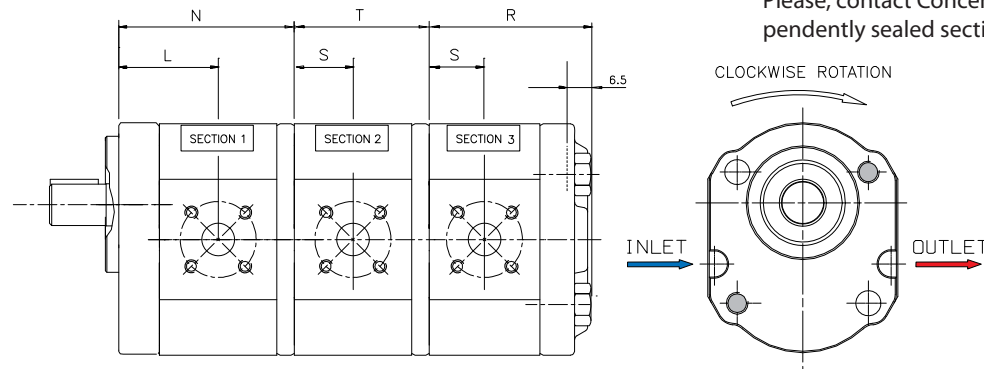
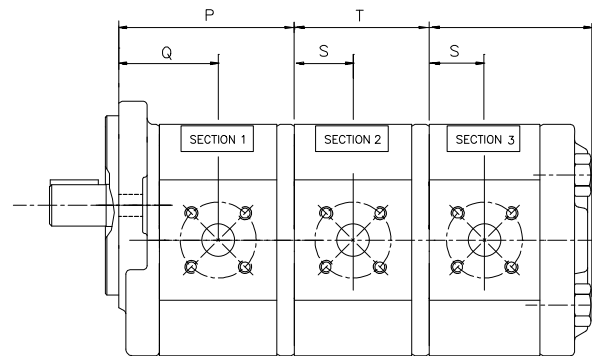


Drive shaft	Load index A	Drive shaft	Load index A
BA	10488	JA	6215
FA	5100	MB	10488
GA	9608	NB	10488
HA	11304	QB	5012

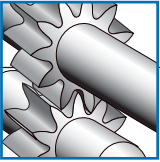
Note: P = actual pressure in bar,
V = applicable displacement from
table page 4-8.

In multiple pumps, shaft end section must have largest displacement. Each consecutive section must have displacement equal to or smaller than section proceeding. Concentric multiple pumps are also available with reduced number of inlets. Please contact Concentric for details.

Please, contact Concentric for pump applications requiring independently sealed sections.

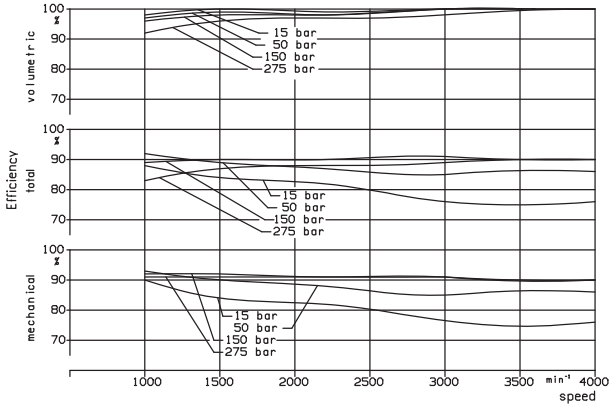


Size	P mm	Q mm	Shaft end section			Rear section			2nd & 3rd section			A1-section
			Weight kg	R mm	S mm	Weight kg	T mm	Weight kg	N mm	L mm	Weight kg	
060 - 0,6cc	77,6	44,0	3,1	73,4	25,6	2,7	59,1	1,8	75,1	41,5	2,7	
080 - 0,8cc	80,0	45,5	3,2	76,4	27,0	2,8	62,1	1,9	78,1	41,5	2,7	
110 - 11,0cc	85,0	47,7	3,4	80,8	29,2	3,0	66,5	2,1	82,5	45,2	3,0	
140 - 14,0cc	89,5	50,0	3,5	85,2	31,5	3,1	71,0	2,2	87,0	47,5	3,1	
160 - 16,0cc	92,4	51,4	3,6	88,1	33,0	3,2	73,9	2,3	89,9	48,9	3,2	
190 - 19,0cc	96,9	53,7	3,7	92,7	35,2	3,4	78,4	2,4	94,4	51,2	3,4	
230 - 23,0cc	102,8	56,6	3,9	98,6	38,2	3,5	84,3	2,6	100,3	54,1	3,5	
270 - 27,0cc	108,7	59,6	4,1	104,5	41,1	3,7	90,2	3,7	106,2	57,1	3,7	
310 - 31,0cc	114,8	62,6	4,3	110,5	44,1	3,9	96,2	3,0	112,2	60,1	3,9	

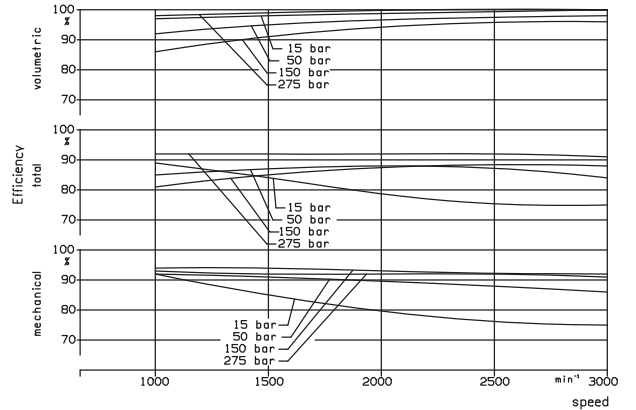


EFFICIENCIES, TOTAL, MECHANICAL, VOLUMETRIC

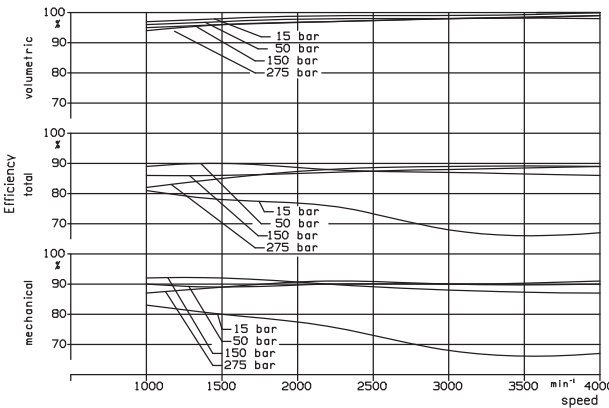
W9A1-06 (Average $\pm 3\%$ at 30 cSt)



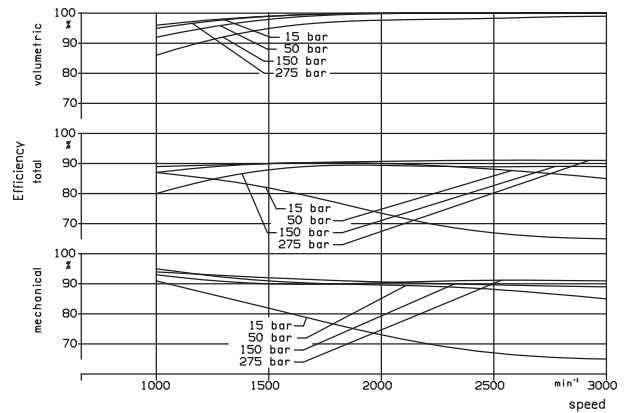
W9A1-16 (Average $\pm 3\%$ at 30 cSt)



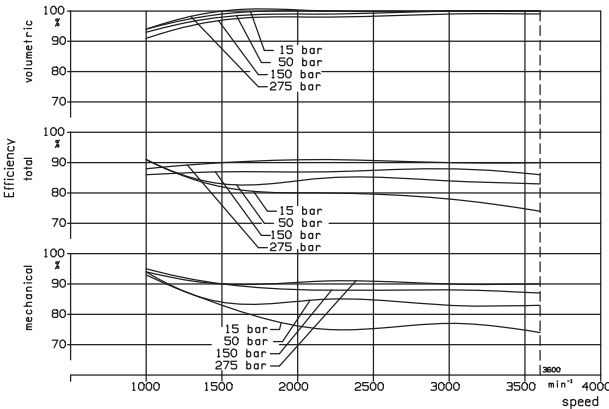
W9A1-08 (Average $\pm 3\%$ at 30 cSt)



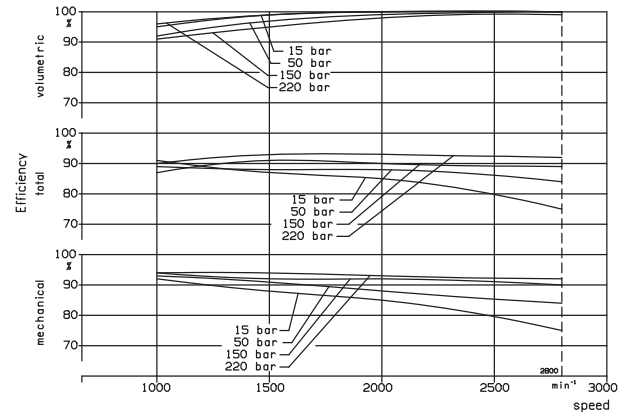
W9A1-19 (Average $\pm 3\%$ at 30 cSt)



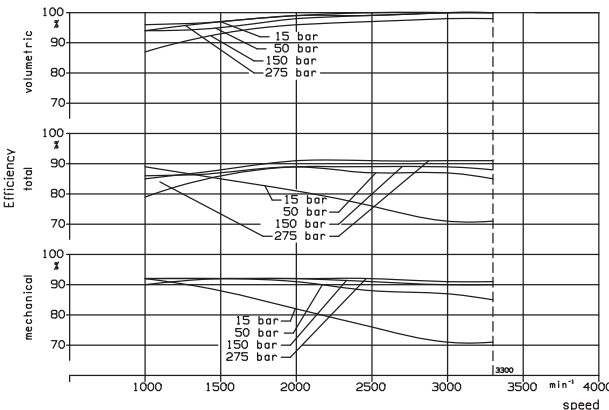
W9A1-11 (Average $\pm 3\%$ at 30 cSt)



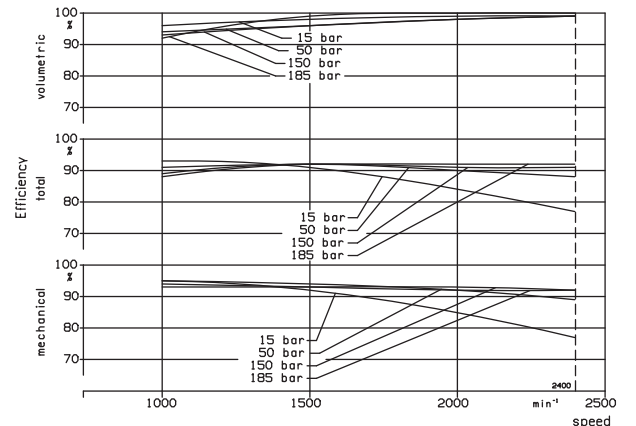
W9A1-23 (Average $\pm 3\%$ at 30 cSt)



W9A1-14 (Average $\pm 3\%$ at 30 cSt)



W9A1-27 (Average $\pm 3\%$ at 30 cSt)



PRODUCT RANGE
HE Powerpacks

12/24/48 VDC 0.3 – 4.5 kW and
0.75 – 3 kW AC modular power packs

HE Box Powerpacks

12/24/48 VDC modular powerpacks
in weatherproof boxes

Pressure Switches

5 - 350 bar, connecting/disconnecting

W100 Hydraulic pumps

0,5 - 2,0 cc 227 bar

W300 Hydraulic pumps

0,8 – 5,7 cc 230 bar

W600 Hydraulic pumps / motors

3 – 12 cc 276 bar

W900 Hydraulic pumps / motors

5 – 31 cc/section 276 bar

Calma The new quiet pumps

6,2 - 23,7 cc/section 250 bar

WQ900 The quiet pumps

5 - 23 cc/section 230 bar

WP900X Hydraulic pumps

16 - 31 cc/section 276 bar

W1500 Hydraulic pumps / motors

19 - 50 cc/section 276 bar

F12 FERRA Heavy duty pumps

16 - 41 cc/section 276 bar

F15 FERRA Heavy duty pumps

19 - 50 cc/section 276 bar

F20/F30 (LS) Hydraulic pumps / motors

23 – 161 cc/section 276 bar

GPA Internal Gear pumps

1,7 – 63 cc/section 100 bar

GC Hydraulic pumps / motors

1,06 – 11,65 cc/section 276 bar

D Hydraulic pumps

3,8 – 22,9 cc/section 207 bar

H Hydraulic pumps

9,8 – 39,4 cc/section 207 bar

II-Stage Hydraulic pumps

4,2 – 22,8 cc/section 276 bar

Rotary Flow Dividers

3,8 – 13,3 cc/section 300 bar

Transmission pumps

www.concentricAB.com


Concentric Rockford Corp.

2222 15th Street
ROCKFORD, IL 61104
USA

Tel: +1-815 398 4400

Fax: +1-815 398 5977

E-mail: info.hydraulics.us@concentricAB.com

Concentric Hof GmbH

Postfach 1507
D-95014 HOF
Germany

Tel: +49-9281 895-0

Fax: +49-9281 87133

E-mail: info.hydraulics.eu@concentricAB.com

Concentric Skanes AB

Box 95
SE-280 40 SK. FAGERHULT
Sweden

Tel: +46-433 32400

Fax: +46-433 30546

E-mail: info.hydraulics.eu@concentricAB.com

Concentric Suzhou Co. Ltd.

47 Dongjing Industrial Park
9 Dong Fu Lu
SIP, Suzhou

Jiangsu

China 215123

Tel +86 512 8717 5100

Fax +86 512 8717 5101

info.chsh@concentricAB.com



Concentric is an innovator in flow control and fluid power, supplying proprietary systems and components for trucks, buses and industrial vehicles, worldwide. With 1,156 employees and yearly sales exceeding 1,977 million Swedish Kronor, Concentric AB is listed on the Stockholm Stock Exchange (www.concentricAB.com).

Concentric will not accept responsibility for any catalog errors and reserves the right to modify its products without prior notice. This also applies to products already ordered, provided that such modifications can be made without affecting technical specifications. All trademarks in this material are properties of their respective owners.