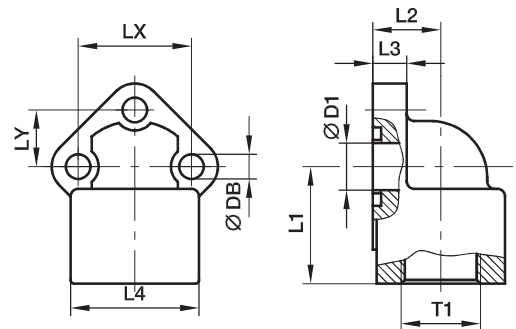


BFW3-G Zahnradpumpenflansche 3 Loch 90° Winkel

Hydraulikflansche / BSPP Innengewinde
(ISO 1179-1)



Bfw3-bspp Innengewinde

| Pumpen- größe | LK | T1 | D1 | L1 | L2 | L3 | L4 | LX | LY | DB | Schrauben (metr.) | O-Ring | Gewicht (Stahl) kg/1 St. | Bestellzeichen* | PN (bar) ¹⁾ A3K |
|------------------|------|-------|----|----|----|------|----|------|------|------|----------------------|------------|--------------------------------|--------------------------|----------------------------------|
| 0,5 | 26,0 | 3/8 | 11 | 28 | 17 | 9,0 | 30 | 26,0 | 13,0 | 5,5 | M 5×18 | 15,60×1,78 | 0,16 | BFW3-G38/LK26 | 315 |
| 0,5 | 26,0 | 1/2 | 11 | 28 | 17 | 9,0 | 30 | 26,0 | 13,0 | 5,5 | M 5×18 | 15,60×1,78 | 0,15 | BFW3-G12/LK26 | 315 |
| 1,0 | 30,0 | 3/8 | 12 | 30 | 17 | 9,0 | 30 | 30,0 | 15,0 | 6,5 | M 6×20 | 15,88×2,62 | 0,16 | BFW3-G38/LK30 | 315 |
| 1,0 | 30,0 | 1/2 | 12 | 30 | 17 | 9,0 | 30 | 30,0 | 15,0 | 6,5 | M 6×20 | 15,88×2,62 | 0,15 | BFW3-G12/LK30 | 315 |
| 2,0 | 40,0 | 1/2 | 18 | 36 | 23 | 11,5 | 36 | 40,0 | 20,0 | 8,5 | M 8×25 | 23,81×2,62 | 0,33 | BFW3-G12/LK40 | 315 |
| 2,0 | 40,0 | 3/4 | 18 | 36 | 23 | 11,5 | 36 | 40,0 | 20,0 | 8,5 | M 8×25 | 23,81×2,62 | 0,31 | BFW3-G34/LK40 | 315 |
| 3,0 | 51,0 | 3/4 | 24 | 46 | 26 | 13,0 | 45 | 51,0 | 25,5 | 10,5 | M10×30 | 29,75×3,53 | 0,57 | BFW3-G34/LK51 | 315 |
| 3,0 | 51,0 | 1 | 24 | 46 | 26 | 13,0 | 45 | 51,0 | 25,5 | 10,5 | M10×30 | 29,75×3,53 | 0,52 | BFW3-G1/LK51 | 315 |
| 3B | 56,0 | 3/4 | 24 | 46 | 26 | 13,0 | 45 | 56,0 | 28,0 | 10,5 | M10×30 | 29,75×3,53 | 0,57 | BFW3-G34/LK56 | 315 |
| 3B | 56,0 | 1 | 24 | 46 | 26 | 13,0 | 45 | 56,0 | 28,0 | 10,5 | M10×30 | 29,75×3,53 | 0,52 | BFW3-G1/LK56 | 315 |
| 3,5 | 62,0 | 1 1/4 | 31 | 55 | 35 | 14,0 | 55 | 62,0 | 31,0 | 11,0 | M10×30 | 37,69×3,53 | 0,74 | BFW3-G114/LK62 | 315 |
| 3,5 | 62,0 | 1 | 25 | 55 | 35 | 14,0 | 55 | 62,0 | 31,0 | 11,0 | M10×30 | 37,69×3,53 | 0,73 | BFW3-G1/LK62 | 315 |
| 3,5 | 62,0 | 1 1/4 | 31 | 55 | 35 | 14,0 | 55 | 62,0 | 31,0 | 13,0 | M12×35 | 37,69×3,53 | 0,74 | BFW3-G114/LK62/12 | 315 |
| 3,5 | 62,0 | 1 | 25 | 55 | 35 | 14,0 | 55 | 62,0 | 31,0 | 13,0 | M12×35 | 37,69×3,53 | 0,73 | BFW3-G1/LK62/12 | 315 |
| 4,0 | 72,5 | 1 1/2 | 38 | 58 | 38 | 15,0 | 62 | 72,5 | 36,2 | 13,0 | M12×35 | 47,22×3,53 | 0,95 | BFW3-G112/LK72.5 | 315 |
| 4,0 | 72,5 | 1 1/4 | 31 | 58 | 38 | 15,0 | 62 | 72,5 | 36,2 | 13,0 | M12×35 | 47,22×3,53 | 0,93 | BFW3-G114/LK72.5 | 315 |

¹⁾ Druckwert genannt = Artikel lieferbar

PN (bar) = PN (MPa)
10

*Ergänzen Sie bitte die Bestellzeichen mit den **Kennbuchstaben** für das gewünschte Material.

| Bestellzeichen-Ergänzungen | | | | |
|----------------------------|--|-----------------------------------|---|--|
| Material | Kennbuchstaben Oberfläche und Material | Beispiel nur Hydraulik-Flansch | Beispiel inkl. metr. Schraubensatz und O-Ring | Standard- Dichtungswerkstoff (keine zusätzl. Kenn- buchstaben erforderlich) |
| Stahl, verzinkt | A3K | BFW3-G38/LK26A3K | BFW3-G38/LK26A3KM | NBR |