

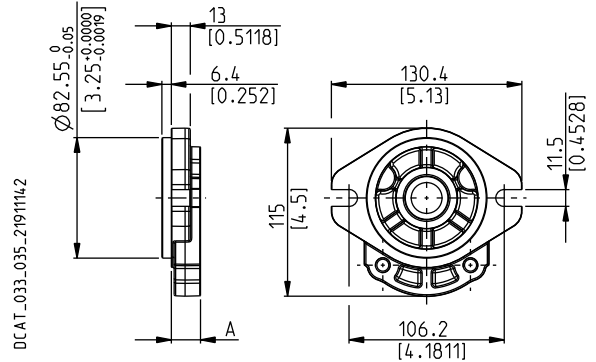
POLARIS 20

MOUNTING FLANGES AND TABLE OF COMPATIBILITY

SAE "A" 2 BOLTS

S9

Material: cast iron and aluminium



DRIVE SHAFTS

See page 53 ÷ 55

VERSIONS See page 48	A mm (in)	01	03	04	07	12	31	32	46	49	50	54	82
0	20 (0.7874)	#	#	x	#	x	#	x	x	#	x	x	x
5	45,6 (1.7953)		x							x	x	x	x

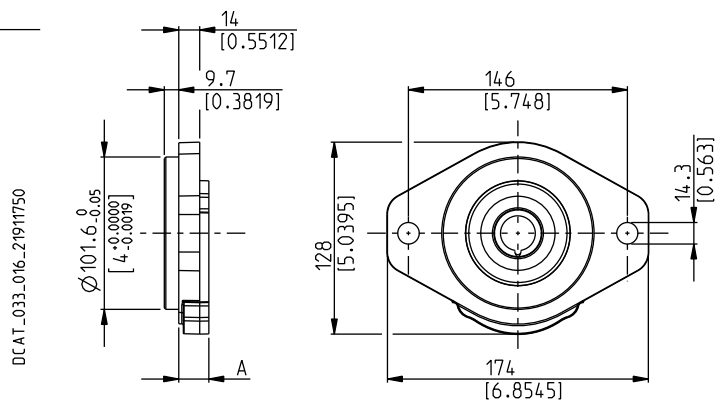
Standard combination

x Available combination

SAE "B" 2 BOLTS

S5

Material: cast iron



DRIVE SHAFTS

See page 54

VERSIONS See page 48	A mm (in)	04	32	49
0	20 (0.7874)	#	#	x
5	45,6 (1.7953)			x

Standard combination

x Available combination

02/07.2006