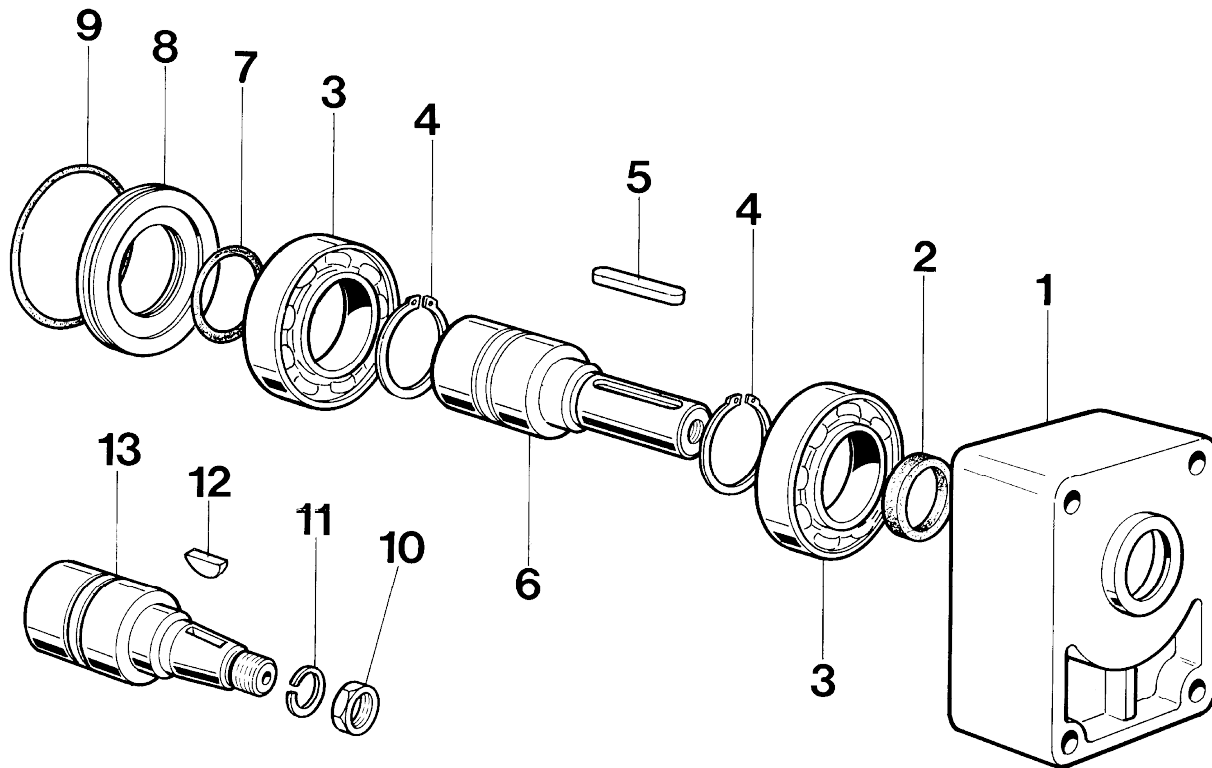
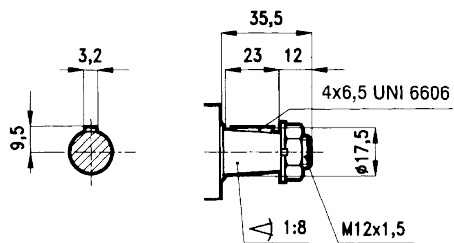


SERIE: 25402/25602

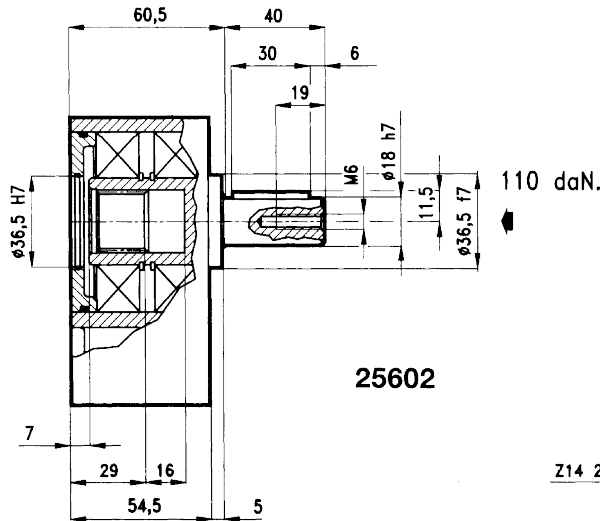
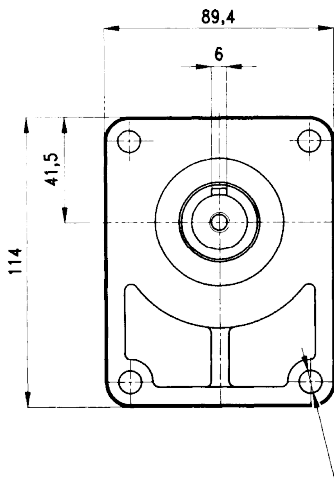


Pos.	CODICE	DENOMINAZIONE	DENOMINATION	DESCRIPTION	BEZEICHNUNG	Q.TA'
1	25002/364.1	Scatola	Carcasse	Housing	Gehäuse	1
2	302232	Anello di tenuta 22x32x7	Bague d'étanchéité 22x32x7	Sealing Ring 22x32x7	Dichtring 22x32x7	1
3	506207/C	Cuscinetto 6207A	Palier 6207A	Bearing 6207A	Kugellager 6207A	2
4	903500	Anello seeger UNI 7435 - 35	Circlip UNI 7435 - 35	Snap ring UNI 7435 - 35	Seegerring UNI 7435 - 35	2
5	426630	Chiavetta 6x6x30 UNI 6604	Clavette 6x6x30 UNI 6604	Key 6x6x30 UNI 6604	Keil 6x6x30 UNI 6604	1
6	AC18.2	Albero D=18	Arbre d=18	Female d=18	Antriebsw d=18	1
7	403143	Anello OR 3143	Bague torique 3143	O-Ring 3143	O-Ring 3143	1
8	25002/C.1	Anello d=72	Bague d=72	Ring d=72	Ring d=72	1
9	403262	Anello OR 3262	Bague torique OR 3262	O-Ring 3262	O-Ring 3262	1
10	601215	Dado UNI 28675 M12X1.5	Ecrous UNI 28675 M12x1.5	Nut UNI 28675 M12x1.5	Mutter UNI 28675 M12x1.5	1
11	801200	Rondella Grower d.12	Rondelle Grower d.12	Wascher Grower d.12	Rosette Grower d.12	1
12	700465	Chiavetta 3.2x6.5 UNI 6606	Clavette 3.2x6.5 UNI 6606	Key 3.2x6.5 UNI 6606	Keil 3.2x6.5 UNI 6606	1
13	ACO2	Albero conico	Arbre	Female	Antriebsw	1



25402

170 daN.
 ▼ 130 daN.



25602

Z14 25x22 DIN5482

