

POLARIS 20

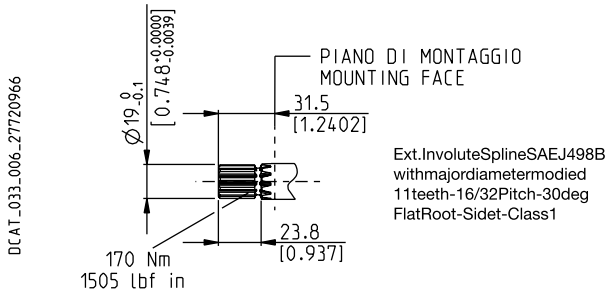
DRIVE SHAFTS

SAE SPLINE

07

Mounting face refer to flange code **S1**

○



STRAIGHT

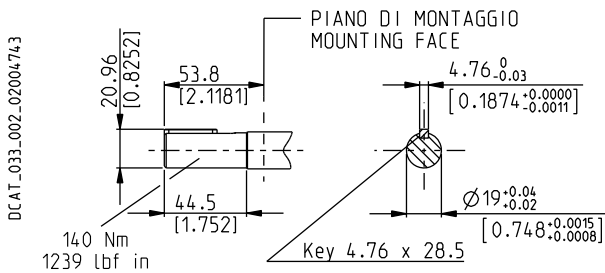
49

Not available with size:

20•19 20•24,5

Mounting face refer to flange code **S1**

○

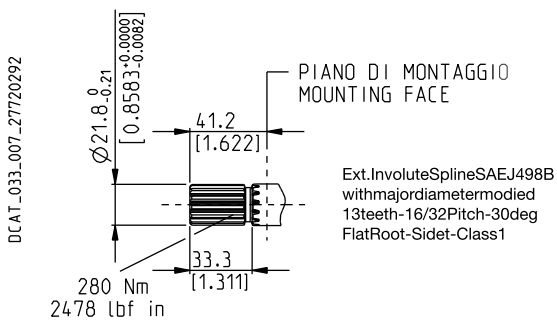


SAE "B" SPLINE

04

Mounting face refer to flange code **S5**

○



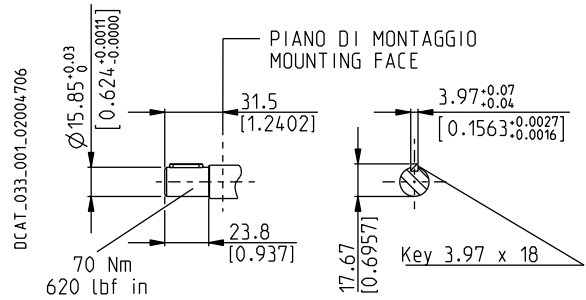
SAE "A" STRAIGHT

31

Not available with size:

20•24,5 20•27,8

Mounting face refer to flange code **S1**

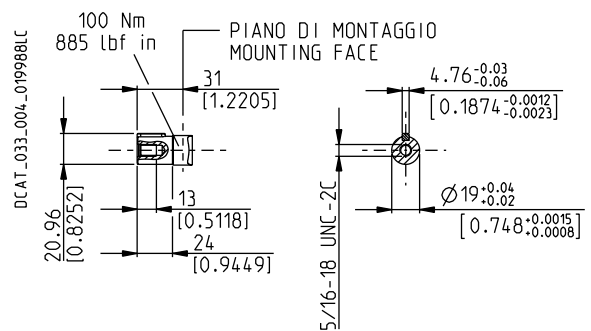


STRAIGHT

50

Mounting face refer to flange code **S1**

○



SAE "B" STRAIGHT

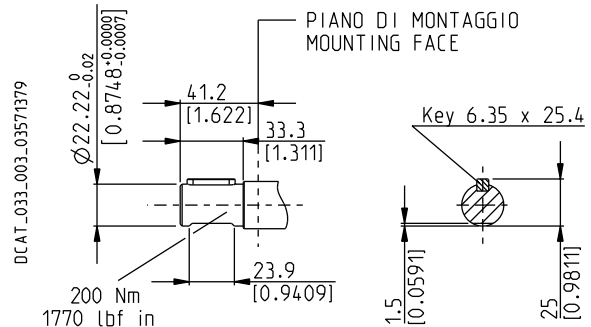
32

Not available with size:

20•24,5

Mounting face refer to flange code **S5**

○



Replaces: 01/10.2003

○ 04/10.2020