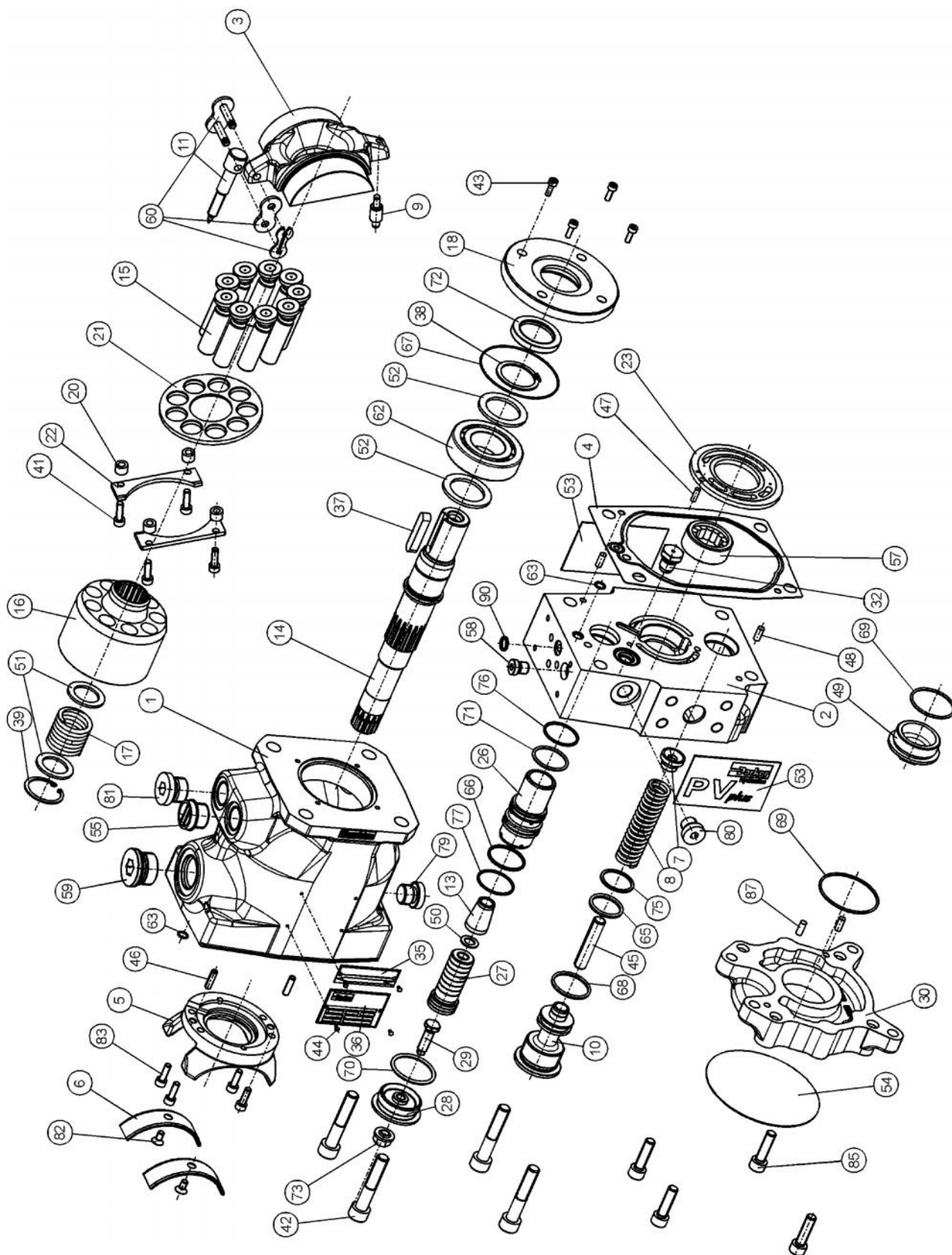


**exploded view PV frame size 1, PV016 - PV023**



<b>correlation between position numbers and replacement kits</b>			
<b>pos. No.</b>	<b>description</b>	<b>page</b>	<b>replacement kit</b>
1, 2	pump body, end cover	-	-
3	swash plate, finished	6	swashplate kit
4	body seal	4	seal kit
5	cradle	-	-
6	trunnion bearing, HX	6	trunnion bearing kit
7	spring washer, servo spring	8	servo spring kit
8	servo spring	8	servo spring kit
9	connector servo spring	6	swashplate kit
10	servo spring plug	8	servo spring kit
11	swash plate connector	6	swashplate kit
13	tapered / contour sleeve	8	tapered / contour sleeve
14	shaft	7	shaft unit
15	piston and slipper, crimped	6	rotating group, set of pistons
16	cylinder block	6	rotating group
17	retainer spring, cylinder block	6	rotating group
18	pilot cover	-	-
20	distance washer	6	rotating group
21	slipper retainer	6	rotating group
22	retainer segment	6	rotating group
23	valve plate	6	valve plate
26	servo piston sleeve	7	servo piston sleeve
27	servo piston	7	servo piston kit
28	servo piston cover	8	displacement adjuster kit
29	set screw	8	displacement limiter kit
30	thru drive adaptor	10	mounting kit, thru drive
32	air bleed valve	8	air bleed valve
35, 36	rotation indicator, name plate	-	-
37	key	7	shaft unit
38	snap ring for shaft	7	shaft unit
39	snap ring for bore	6	rotating group
41	hexagon socket head cap screw, retain	6	rotating group
42	hexagon socket head cap screw, body	6	connecting bolt kit
43	hexagon socket head cap screw, pilot	6	connecting bolt kit
44	rivet	-	-
45	guide pin, servo spring	8	servo spring kit
46	locator pin cradle	-	-
47	locator pin, valve plate	6	valve plate
48	locator pin, body	6	connecting bolt kit
49	thru drive plug	-	-
50	washer, servo piston	7	servo piston kit
51	washer, cylinder block	6	rotating group
52	washer, shaft	7	shaft unit
53, 54	magnet cover for ports, thru drive	-	-
55	protection plug, drain port	-	-
57	roller bearing, rear	7	shaft unit
58	plug, compensator interface	4	seal kit
59	plug, feedback	4	seal kit
60	chain link	6	swashplate kit
62	roller bearing, front	7	shaft unit
63 - 71	o-ring	4	seal kit
72	shaft seal	4	seal kit
73	self sealing lock nut	4, 8	seal kit, displacement limiter
75 - 77, 78	backup rings, retainer for shaft seal	4	seal kit
79 - 81	pipe plug	4	seal kit
82	hexagon socket countersunk head cap	6	trunnion bearing kit
83	hexagon socket head cap screw, cradl	-	-
84	o-ring	4	seal kit
85	hexagon socket head cap screw, thru d	10	mounting kit, thru drive
87	locator pin, thru drive adaptor	10	mounting kit, thru drive
90	o-ring	4	seal kit
91	coupling	9	mounting kit, coupling
92	adaptor for keyed shaft	9	mounting kit, coupling

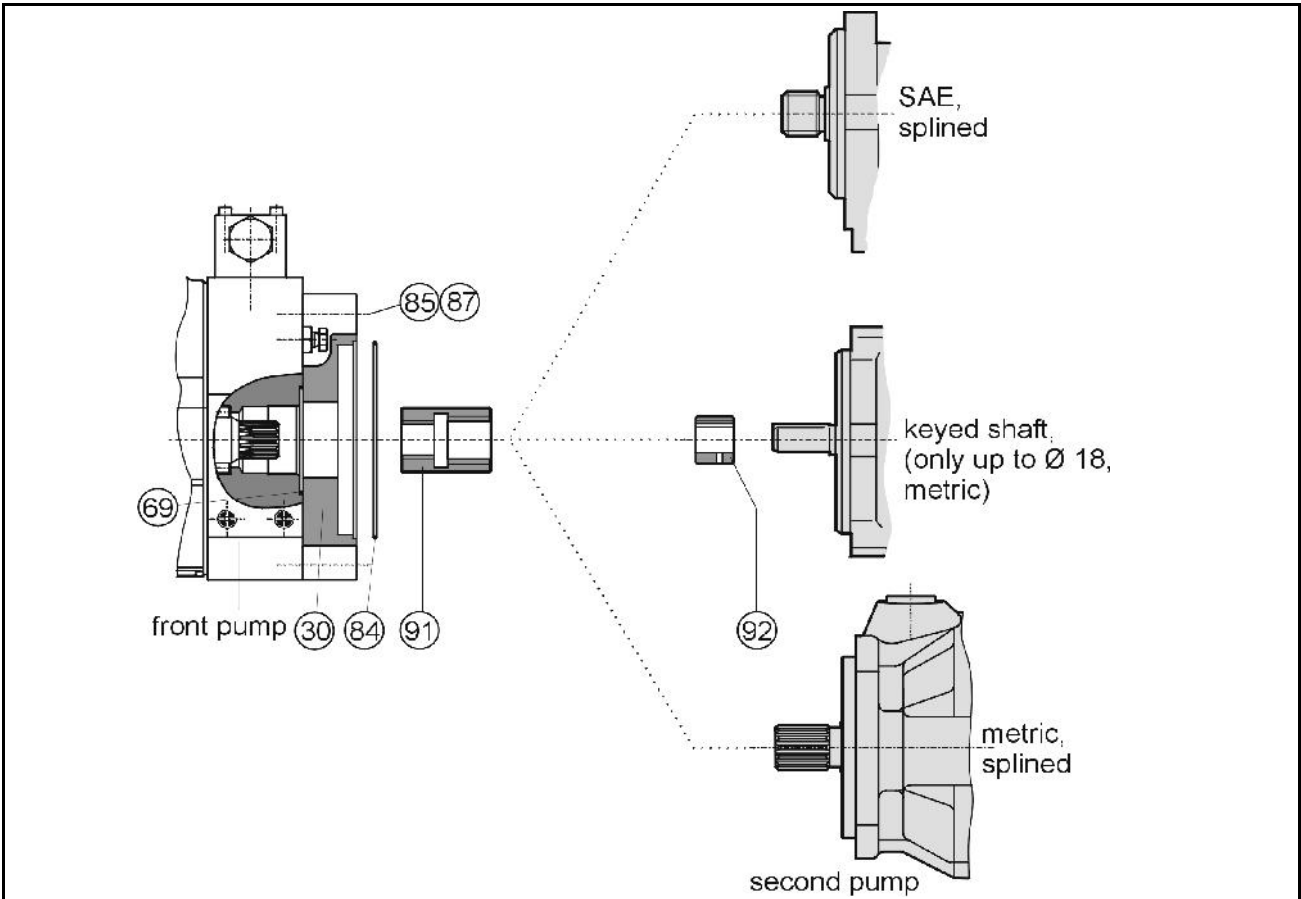
pos.	qty	ordering code	description	remark
		<b>SK-</b>	<b>seal kit</b>	
		<b>PVBG1</b>	<b>PV series, frame size 1, PV016 - PV023</b>	
		<b>N</b>	<b>seal option NBR</b>	
		<b>V</b>	<b>seal option FPM</b>	
		<b>E</b>	<b>seal option EPR</b>	
		<b>P</b>	<b>seal option FPM, shaft seal PTFE (for case pressure)</b>	
		<b>W</b>	<b>seal option NBR, shaft seal PTFE (for water glycole)</b>	
		<b>1</b>	<b>threads: metric, ports: BSPP</b>	
		<b>3</b>	<b>threads: UNC, ports: UNF</b>	
		<b>7</b>	<b>threads: metric, ports: ISO 6149</b>	
		<b>8</b>	<b>threads: UNC, ports: ISO 6149</b>	
		<b>42</b>	<b>design series 42</b>	
			includes:	
4	1		body seal, frame size 1	
58	1		port plug VSTI-10x1-OR-A3C ISO 6149 NBR	seal option NBR
58	(1)		port plug VSTI-10x1-OR-A3C ISO 6149 FPM	seal option FPM
58	(1)		port plug VSTI-10x1-OR-A3C, ISO 6149 EPR	seal option EPR
59	1		port plug M 27 x 2 ISO 6149, NBR	seal option NBR
59	(1)		port plug M 27 x 2 ISO 6149, FPM	seal option FPM
59	(1)		port plug M 27 x 2 ISO 6149, EPR	seal option EPR
63	2		o-ring 2-010-N552-90; 6,07 x 1,78	seal option NBR
63	(2)		o-ring 2-010-V747-75; 6,07 x 1,78	seal option FPM
63	(2)		o-ring 2-010-E540-80; 6,07 x 1,78	seal option EPR
65	1		o-ring 2-119-N552-90; 23,47 x 2,62	seal option NBR
65	(1)		o-ring 2-119-V747-75; 23,47 x 2,62	seal option FPM
65	(1)		o-ring 2-119-E540-80; 23,47 x 2,62	seal option EPR
66	1		o-ring 2-024-N552-90; 28,30 x 1,78	seal option NBR
66	(1)		o-ring 2-024-V747-75; 28,30 x 1,78	seal option FPM
66	(1)		o-ring 2-024-E540-80; 28,30 x 1,78	seal option EPR
67	1		o-ring 2-036-N552-90; 60,05 x 1,78	seal option NBR
67	(1)		o-ring 2-036-V747-75; 60,05 x 1,78	seal option FPM
67	(1)		o-ring 2-036-E540-80; 60,05 x 1,78	seal option EPR
68	1		o-ring 2-123-N552-90; 29,82 x 2,62	seal option NBR
68	(1)		o-ring 2-123-V747-75; 29,82 x 2,62	seal option FPM
68	(1)		o-ring 2-123-E540-80; 29,82 x 2,62	seal option EPR
69	1		o-ring 2-028-N552-90; 34,65 x 1,78	seal option NBR
69	(1)		o-ring 2-028-V747-75; 34,65 x 1,78	seal option FPM
69	(1)		o-ring 2-028-E540-80; 34,65 x 1,78	seal option EPR
69	(1)		o-ring 2-134-N552-90; 47,29 x 2,62	seal option NBR
69	(1)		o-ring 2-134-V747-75; 47,29 x 2,62	seal option FPM
69	(1)		o-ring 2-134-E540-80; 47,29 x 2,62	seal option EPR
70	1		o-ring 2-125-N552-90; 32,99 x 2,62	seal option NBR
70	(1)		o-ring 2-125-V747-75; 32,99 x 2,62	seal option FPM
70	(1)		o-ring 2-125-E540-80; 32,99 x 2,62	seal option EPR
71	1		o-ring 2-023-N552-90; 26,70 x 1,78	seal option NBR
71	(1)		o-ring 2-023-V747-75; 26,70 x 1,78	seal option FPM
71	(1)		o-ring 2-023-E540-80; 26,70 x 1,78	seal option EPR
72	1		shaft seal BABSL 0,5 30 x 42 x 6-NBR	seal option NBR
72	(1)		shaft seal BABSL 0,5 30 x 42 x 6-FPM	seal option FPM
72	(1)		shaft seal PTFE, frame size 1 with EPR o-ring	seal option EPR, S
72	(1)		shaft seal PTFE, frame size 1	seal option P, W
73	1		self sealing lock nut M 8 x 1, SEAL LOCK	
75	1		backup ring 8-119-N300-90; 24,28 x 2,18	seal option NBR
75	(1)		backup ring 8-119-V709-90; 24,28 x 2,18	seal option FPM
75	(1)		backup ring 8-119-E652-90; 24,28 x 2,18	seal option EPR

pos.	qty	ordering code	description	remark
76	1		backup ring 8-023-N300-90; 27,43 x 1,35	seal option NBR
76	(1)		backup ring 8-023-V709-90; 27,43 x 1,35	seal option FPM
76	(1)		backup ring 8-023-E652-90; 27,43 x 1,35	seal option EPR
77	1		backup ring 8-024-N300-90; 29,03 x 1,35	seal option NBR
77	(1)		backup ring 8-024-V709-90; 29,03 x 1,35	seal option FPM
77	(1)		backup ring 8-024-E652-90; 29,03 x 1,35	seal option EPR
78	1		Seeger V-ring JV45, snap ring for shaft seal	
79	1		port plug VSTI R3/8" ED NBR	NBR, threads 1
79	(1)		port plug VSTI R3/8" ED FPM	FPM, threads 1
79	(1)		port plug VSTI R3/8" ED EPR	EPR, threads 1
79	(1)		port plug 8HP50NS-NBR, 3/4-16 UNF	NBR, threads 3
79	(1)		port plug 8HP50NS-FPM, 3/4-16 UNF	FPM, threads 3
79	(1)		port plug 8HP50NS-EPR, 3/4-16 UNF	EPR, threads 3
79	(1)		port plug VSTI-18 x 1,5-OR-A3C ISO 6149 NBR	NBR, threads 7, 8
79	(1)		port plug VSTI-18 x 1,5-OR-A3C ISO 6149 FPM	FPM, threads 7, 8
79	(1)		port plug VSTI-18 x 1,5-OR-A3C ISO 6149 EPR	EPR, threads 7, 8
80	1		port plug VSTI R1/4" ED NBR	NBR, threads 1
80	(1)		port plug VSTI R1/4" ED FPM	FPM, threads 1
80	(1)		port plug VSTI R1/4" ED EPR	EPR, threads 1
80	(1)		port plug 4HP50NS-NBR, 7/16-20 UNF	NBR, threads 3
80	(1)		port plug 4HP50NS-FPM, 7/16-20 UNF	FPM, threads 3
80	(1)		port plug 4HP50NS-EPR, 7/16-20 UNF	EPR, threads 3
80	(1)		port plug VSTI-12 x 1,5-OR-A3C ISO 6149 NBR	NBR, threads 7, 8
80	(1)		port plug VSTI-12 x 1,5-OR-A3C ISO 6149 FPM	FPM, threads 7, 8
80	(1)		port plug VSTI-12 x 1,5-OR-A3C ISO 6149 EPR	EPR, threads 7, 8
81	1		port plug VSTI R1/2" ED NBR	NBR, threads 1
81	(1)		port plug VSTI R1/2" ED FPM	FPM, threads 1
81	(1)		port plug VSTI R1/2" ED EPR	EPR, threads 1
81	(1)		port plug 10HP50NS-NBR, 7/8-14 UNF	NBR, threads 3
81	(1)		port plug 10HP50NS-FPM, 7/8-14 UNF	FPM, threads 3
81	(1)		port plug 10HP50NS-EPR, 7/8-14 UNF	EPR, threads 3
81	(1)		port plug VSTI-22 x 1,5-OR-A3C ISO 6149 NBR	NBR, threads 7, 8
81	(1)		port plug VSTI-22 x 1,5-OR-A3C ISO 6149 FPM	FPM, threads 7, 8
81	(1)		port plug VSTI-22 x 1,5-OR-A3C ISO 6149 EPR	EPR, threads 7, 8
84	1		o-ring 2-044-N552-90; 94,97 x 1,78	seal option NBR
84	(1)		o-ring 2-044-V747-75; 94,97 x 1,78	seal option FPM
84	(1)		o-ring 2-044-E540-80; 94,97 x 1,78	seal option EPR
84	1		o-ring 2-042-N552-90; 82,27 x 1,78	seal option NBR
84	(1)		o-ring 2-042-V747-75; 82,27 x 1,78	seal option FPM
84	(1)		o-ring 2-042-E540-80; 82,27 x 1,78	seal option EPR
84	1		o-ring 2-041-N552-90; 75,92 x 1,78	seal option NBR
84	(1)		o-ring 2-041-V747-75; 75,92 x 1,78	seal option FPM
84	(1)		o-ring 2-041-E540-80; 75,92 x 1,78	seal option EPR
84	1		o-ring 2-036-N552-90; 60,05 x 1,78	seal option NBR
84	(1)		o-ring 2-036-V747-75; 60,05 x 1,78	seal option FPM
84	(1)		o-ring 2-036-E540-80; 60,05 x 1,78	seal option EPR
84	1		o-ring 2-033-N552-90; 50,52 x 1,78	seal option NBR
84	(1)		o-ring 2-033-V747-75; 50,52 x 1,78	seal option FPM
84	(1)		o-ring 2-033-E540-80; 50,52 x 1,78	seal option EPR
90	1		o-ring 2-012-N552-90; 9,25 x 1,78	seal option NBR
90	(1)		o-ring 2-012-V747-75; 9,25 x 1,78	seal option FPM
90	(1)		o-ring 2-012-E540-80; 9,25 x 1,78	seal option EPR
261	1		o-ring 6-346-N552-90; 9,4 x 2,1	seal option NBR
261	(1)		o-ring 6-346-V747-75; 9,4 x 2,1	seal option FPM
261	(1)		o-ring 6-346-E540-80; 9,4 x 2,1	seal option EPR

pos.	qty	ordering code	description	remark
		<b>RK- PVBG1 VT M S 42</b>	<b>spare parts kit PV series, frame size 1, PV016 - PV023 conecting parts kit metric version SAE/UNC version design series 42</b> includes:	
42	4		hexagon socket head cap screw M 10 x 55 DIN 912 12.9	threads M
42	(4)		hexagon socket head cap screw 3/8" - 16 UNC x 2 1/4"	threads S
43	4		hexagon socket head cap screw M 5 x 12 DIN 912 12.9	threads M
43	(4)		hexagon socket head cap screw Nr. 10 - 24 UNC x 1/2"	threads S
48	2		locating pin 5 M6 x 12 DIN 7 St	
		<b>RK- PVBG1 GLE 42</b>	<b>spare parts kit PV series, frame size 1, PV016 - PV023 trunnion bearing kit design series 42</b> includes:	
6	2		trunnion bearing HX, frame size 1	
82	2		hexagon socket countersunk head cap screw M 5 x 10 DIN 7991,	
		<b>RK- PVBG1 ROG 42</b>	<b>spare parts kit PV series, frame size 1, PV016 - PV023 rotating group design series 42</b> includes:	
15	9		piston and slipper, crimped	
16	1		cylinder block	
17	1		retainer spring, cylinder block	
20	4		distance washer	
21	1		slipper retainer plate	
22	2		retainer segment	
39	1		snap ring for bores, 32 x 1,2 DIN 472	
41	4		hexagon socket head cap screw M 5 x 18 DIN 912 12.9 TUF	
51	2		washer SS 22 x 32 x 2 DIN 988	
		<b>RK- PVBG1 KOS 42</b>	<b>spare parts kit PV series, frame size 1, PV016 - PV023 piston and slipper set design series 42</b> includes:	
15	9		piston and slipper, crimped	
		<b>RK- PVBG1 SS R L 42</b>	<b>spare parts kit PV series, frame size 1, PV016 - PV023 valve plate rotation clockwise rotation counetr-clockwise design series 42</b> includes:	
23	1		valve plate, clockwise rotation, frame size 1	rotation R
23	(1)		valve plate, counter-clockwise rotation, frame size 1	rotation L
47	1		locating pin 4 M6 x 12 DIN 7 St	
		<b>RK- PVBG1 SRS 42</b>	<b>spare parts kit PV series, frame size 1, PV016 - PV023 swashplate kit design series 42</b> includes:	
3	1		swash plate, finished, frame size 1	
9	1		servo spring connector frame size 1	
11	1		servo piston connector frame size 1	
60	1		chain link 60 - 11 DIN 8188	

pos.	qty	ordering code	description	remark
		<b>RK-</b> <b>PVBG1</b> <b>WP</b> <b>VZ</b> <b>M</b> <b>S</b> <b>42</b>	<b>spare parts kit</b> <b>PV series, frame size 1, PV016 - PV023</b> <b>shaft unit, keyed</b> <b>shaft unit, splined</b> <b>metric version</b> <b>SAE/UNC version</b> <b>design series 42</b> includes:	
14	1		shaft, keyed, metric, frame size 1	keyed, metric
14	(1)		shaft, keyed, SAE, frame size 1	keyed, SAE
14	(1)		shaft, splined, metric, frame size 1	splined, metric
14	(1)		shaft, splined, SAE, frame size 1	splined, SAE
37	1		key A8 x 7 x 40 DIN 6885 St	keyed, metric
37	(1)		key 6,35 x 6,35 x 38	keyed, SAE
38	1		snap ring for shaft, 30 x 1,5 DIN 471	
52	2		washer SS 30 x 42 x 2,5 DIN 988	
57	1		roller bearing, NU - 2203 - EC	
62	1		roller bearing NUP - 206 - EC	
		<b>RK-</b> <b>PV016</b> <b>PV020</b> <b>PV023</b> <b>HE</b> <b>N</b> <b>V</b> <b>E</b> <b>42</b>	<b>spare parts kit</b> <b>PV series, frame size 1, PV016</b> <b>PV series, frame size 1, PV020</b> <b>PV series, frame size 1, PV023</b> <b>volume stop, adjustable</b> <b>seal option NBR</b> <b>seal option FPM</b> <b>seal option EPR</b> <b>design series 42</b> includes:	
28	1		servo piston cover M 36 x 2	
29	1		set screw M 8 x 1, displacement 16 cm <sup>3</sup> /U	displacement 016
29	(1)		set screw M 8 x 1, displacement 20 cm <sup>3</sup> /U	displacement 020
29	(1)		set screw M 8 x 1, displacement 23 cm <sup>3</sup> /U	displacement 023
70	1		o-ring 2-125-N552-90; 32,99 x 2,62	seal option NBR
70	(1)		o-ring 2-125-V747-75; 32,99 x 2,62	seal option FPM
70	(1)		o-ring 2-125-E540-80; 32,99 x 2,62	seal option EPR
73	1		self sealing lock nut M 8 x 1, SEAL LOCK	
		<b>RK-</b> <b>PVBG1</b> <b>SB</b> <b>N</b> <b>V</b> <b>E</b> <b>42</b>	<b>spare parts kit</b> <b>PV series, frame size 1, PV016 - PV023</b> <b>servo piston sleeve</b> <b>seal option NBR</b> <b>seal option FPM</b> <b>seal option EPR</b> <b>design series 42</b> includes:	
26	1		servo piston sleeve frame size 1	
66	1		o-ring 2-024-N552-90; 28,30 x 1,78	seal option NBR
66	(1)		o-ring 2-024-V747-75; 28,30 x 1,78	seal option FPM
66	(1)		o-ring 2-024-E540-80; 28,30 x 1,78	seal option EPR
71	1		o-ring 2-023-N552-90; 26,70 x 1,78	seal option NBR
71	(1)		o-ring 2-023-V747-75; 26,70 x 1,78	seal option FPM
71	(1)		o-ring 2-023-E540-80; 26,70 x 1,78	seal option EPR
76	1		backup ring 8-023-N300-90; 27,43 x 1,35	seal option NBR
76	(1)		backup ring 8-023-V709-90; 27,43 x 1,35	seal option FPM
76	(1)		backup ring 8-023-E652-90; 27,43 x 1,35	seal option EPR
77	1		backup ring 8-024-N300-90; 29,03 x 1,35	seal option NBR
77	(1)		backup ring 8-024-V709-90; 29,03 x 1,35	seal option FPM
77	(1)		backup ring 8-024-E652-90; 29,03 x 1,35	seal option EPR

pos.	qty	ordering code	description	remark
		<b>RK- PVBG1 SKS 42</b>	<b>spare parts kit PV series, frame size 1, PV016 servo piston kit design series 42</b> includes:	
27	1		servo piston frame size 1	
50	1		washer PS 9 x 15 x 1 DIN 988	
		<b>RK- PVBG1 RFS 42</b>	<b>spare parts kit PV series, frame size 1, PV016 - PV023 Rückstellfeder-Satz design series 42</b> includes:	
7	1		spring washer, servo spring frame size 1	
8	1		servo spring frame size 1	
10	1		spring cover frame size 1	
45	1		locating pin Connex LS 10 x 50, 1.8159, VSM 1278	
32		<b>RK- PV000 EV N V E 40</b>	<b>spare parts kit PV series, alle frame sizen air bleed valve seal option NBR seal option FPM seal option EPR design series 40 - 42</b> includes:	
260	1		body, air bleed valve	
261	1		o-ring 6-346-N552-90; 9,4 x 2,1	seal option NBR
261	(1)		o-ring 6-346-V747-75; 9,4 x 2,1	seal option FPM
261	(1)		o-ring 6-346-E540-80; 9,4 x 2,1	seal option EPR
262	1		spring, air bleed valve	
263	1		ball Ø 6,35, tungston carbide, class G20	
264	1		roll pin, 2 x 10 DIN 1481	
13		<b>RK- PVBG1 KH 0 B C D E G 42</b>	<b>spare parts kit PV series, frame size 1, PV016 - PV023 tapered / contour sleeve tapered sleeve for standard pumps contour sleeve for horse power comp. pumps, 3 kW contour sleeve for horse power comp. pumps, 4 kW contour sleeve for horse power comp. pumps, 5,5 kW contour sleeve for horse power comp. pumps, 7,5 kW contour sleeve for horse power comp. pumps, 11 kW design series 42</b> includes:	
13	1		tapered sleeve frame size 1	
13	(1)		contour sleeve frame size 1, 3 kW	horse power code B
13	(1)		contour sleeve frame size 1, 4 kW	horse power code C
13	(1)		contour sleeve frame size 1, 5,5 kW	horse power code D
13	(1)		contour sleeve frame size 1, 7,5 kW	horse power code E
13	(1)		contour sleeve frame size 1, 11 kW	horse power code G



pos.	qty	ordering code	description	remark
		<b>MK- PVBG1</b>	<b>mounting kit: coupling for thru drive pump PV series, frame size 1, PV016 - PV023</b>	
		<b>K01</b>	<b>second pump: splined shaft metric N25 x 1,5 x 15 DIN 5480</b>	
		<b>K11</b>	<b>second pump: splined shaft SAE 9T 16/32DP flat root side fit</b>	
		<b>K12</b>	<b>second pump: splined shaft SAE 11T 16/32DP flat root side fit</b>	
		<b>K13</b>	<b>second pump: splined shaft SAE 13T 16/32DP flat root side fit</b>	
		<b>K14</b>	<b>second pump: splined shaft SAE 15T 16/32DP flat root side fit</b>	
		<b>K20</b>	<b>second pump: keyed shaft Ø 12mm</b>	
		<b>K21</b>	<b>second pump: keyed shaft Ø 16mm</b>	
		<b>K22</b>	<b>second pump: keyed shaft Ø 18mm</b>	
		<b>42</b>	<b>design series 42 includes:</b>	
91	1		coupling, metric, N32 x 1,5 x 20 DIN 5480	shaft K20, K21, K22
91	(1)		coupling, metric, N25 x 1,5 x 15 DIN 5480	shaft K01
91	(1)		coupling, SAE, 15T16/32DP, flat root, side fit	shaft K14
91	(1)		coupling, SAE, 13T16/32DP, flat root, side fit	shaft K13
91	(1)		coupling, SAE, 11T16/32DP, flat root, side fit	shaft K12
91	(1)		coupling, SAE, 9T16/32DP, flat root, side fit	shaft K11
92	(1)		adaptor for keyed shaft Ø 18 (also needed: pos. 91)	shaft K22
92	(1)		adaptor for keyed shaft Ø 16 (also needed: pos. 91)	shaft K21
92	(1)		adaptor for keyed shaft Ø 12 (also needed: pos. 91)	shaft K20



pos.	qty	ordering code	description	remark
		<b>MK-</b>	<b>mounting kit: adaptor for thru drive pump</b>	screws, washers etc. to fix the second pump are not included in kits
		<b>PVBG1</b>	<b>PV series, frame size 1, PV016 - PV023</b>	
		<b>Y</b>	<b>second pump: SAE A-A, Ø 50,8</b>	
		<b>A</b>	<b>second pump: SAE A, Ø 82,55</b>	
		<b>B</b>	<b>second pump: SAE B, Ø 101,6</b>	
		<b>C</b>	<b>second pump: SAE C, Ø 127</b>	
		<b>G</b>	<b>second pump: metric Ø 63</b>	
		<b>H</b>	<b>second pump: metric Ø 80</b>	
		<b>J</b>	<b>second pump: metric Ø 100</b>	
		<b>T</b>	<b>prepared for thru drive, threaded plug</b>	
		<b>M</b>	<b>metric screws</b>	
		<b>S</b>	<b>UNC screws</b>	
		<b>N</b>	<b>seal option NBR</b>	
		<b>V</b>	<b>seal option FPM</b>	
		<b>E</b>	<b>seal option EPR</b>	
		<b>42</b>	<b>design series 42</b>	
			includes:	
30	1		thru drive adaptor SAE A-A (Ø 50,8), metric screws	pilot: Y, screws: M
30	(1)		thru drive adaptor SAE A-A (Ø 50,8), UNC screws	pilot: Y, screws: S
30	(1)		thru drive adaptor SAE A (Ø 82,55), metric screws	pilot: A, screws: M
30	(1)		thru drive adaptor SAE A (Ø 82,55), UNC screws	pilot: A, screws: S
30	(1)		thru drive adaptor SAE B (Ø 101,6), metric screws	pilot: B, screws: M
30	(1)		thru drive adaptor SAE B (Ø 101,6), UNC screws	pilot: B, screws: S
30	(1)		thru drive adaptor metric Ø 63, metric screws	pilot: G, screws: M
30	(1)		thru drive adaptor metric Ø 63, UNC screws	pilot: G, screws: S
30	(1)		self sealing lock nut M 8 x 1, SEAL LOCK	pilot: H, screws: M
30	(1)		thru drive adaptor metric Ø 80, UNC screws	pilot: H, screws: S
30	(1)		thru drive adaptor metric Ø 100, metric screws	pilot: J, screws: M
30	(1)		thru drive adaptor metric Ø 100, UNC screws	pilot: J, screws: S
49	1		port plug, thru drive, CM 38 x 1,5 DIN 7604 - 5.8	variation T
69	1		o-ring 2-028-N552-90; 34,65 x 1,78	seals NBR, var. T
69	(1)		o-ring 2-028-V747-75; 34,65 x 1,78	seals FPM, var. T
69	(1)		o-ring 2-028-E540-80; 34,65 x 1,78	seals EPR, var. T
69	1		o-ring 2-134-N552-90; 47,29 x 2,62	seal option NBR
69	(1)		o-ring 2-134-V747-75; 47,29 x 2,62	seal option FPM
69	(1)		o-ring 2-134-E540-80; 47,29 x 2,62	seal option EPR
84	1		o-ring 2-033-N552-90; 50,52 x 1,78	pilot: Y, NBR
84	(1)		o-ring 2-033-V747-75; 50,52 x 1,78	pilot: Y, FPM
84	(1)		o-ring 2-033-E540-80; 50,52 x 1,78	pilot: Y, EPR
84	1		o-ring 2-036-N552-90; 60,05 x 1,78	pilot: G, NBR
84	(1)		o-ring 2-036-V747-75; 60,05 x 1,78	pilot: G, FPM
84	(1)		o-ring 2-036-E540-80; 60,05 x 1,78	pilot: G, EPR
84	1		o-ring 2-041-N552-90; 75,92 x 1,78	pilot: H, NBR
84	(1)		o-ring 2-041-V747-75; 75,92 x 1,78	pilot: H, FPM
84	(1)		o-ring 2-041-E540-80; 75,92 x 1,78	pilot: H, EPR
84	1		o-ring 2-042-N552-90; 82,27 x 1,78	pilot: A, NBR
84	(1)		o-ring 2-042-V747-75; 82,27 x 1,78	pilot: A, FPM
84	(1)		o-ring 2-042-E540-80; 82,27 x 1,78	pilot: A, EPR
84	1		o-ring 2-044-N552-90; 94,97 x 1,78	pilot: B, J, NBR
84	(1)		o-ring 2-044-V747-75; 94,97 x 1,78	pilot: B, J, FPM
84	(1)		o-ring 2-044-E540-80; 94,97 x 1,78	pilot: B, J, EPR
85	4		hexagon socket head cap screw M 8 x 30 DIN 912 12.9	threads M
85	(4)		hexagon socket head cap screw 5/16" - 18 UNC-x 1 1/4" 12.9	threads S
87	2		locating pin 8 M6 x 16 DIN 7	