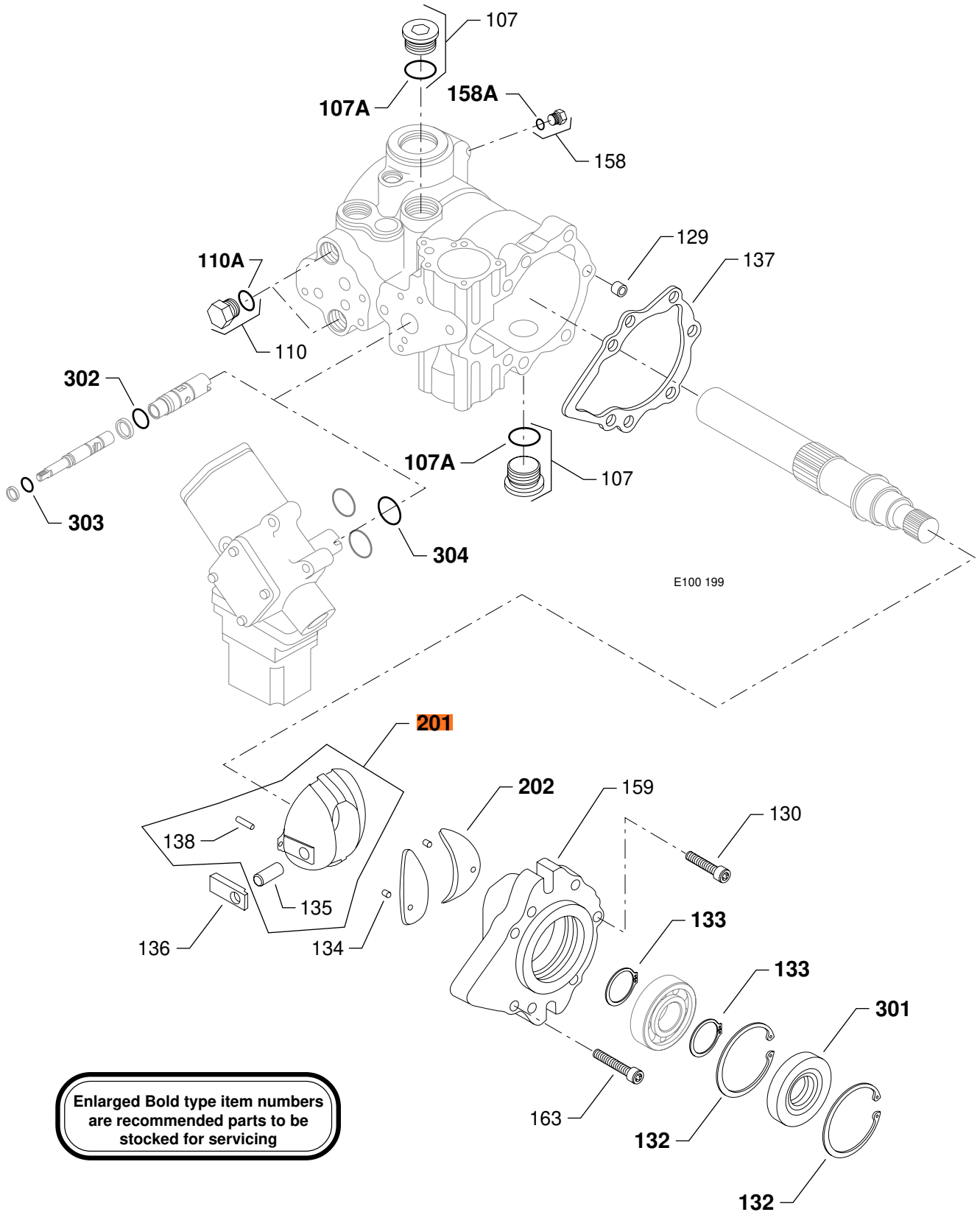


M46 Variable Displacement Pump





Common Parts

<u>Order Code</u>	<u>Item</u>	<u>Date Code</u> <u>Begin</u> → <u>End</u>	<u>Part Number</u>	<u>Description</u>	<u>Qty. per Model/Kit</u>
	107	84-31 →	9005110-9000	Plug	2
107A		84-31 →	9004201-7500	O-ring	2
	110	84-31 →	9005110-5600	Plug	2
110A		84-31 →	9004201-3700	O-ring	2
	129	85-37 →	9004875-0100	Pin	1
	"	84-31 → 85-36	9004875-0067	Pin	1
	130	84-31 →	5000208	Screw (SB-9437)	1
132		84-31 →	9006200-0281	Retaining ring	2
133		84-31 →	9006300-0137	Retaining ring	2
	134	94-48 →	5000116	Coiled pin	2
	"	84-31 → 94-47	9004700-1206	Slotted pin (SB-9411)	2
	135	84-31 →	9004820-4416	Pin	1
	136	84-31 →	4460162	Sleeve bearing	1
	137	84-31 →	4460564	Front cover gasket (SB-8913)	1
	138	86-14 →	5000507	Pin (SB-9812)	1
	158	84-31 →	9005100-4400	Plug	1
158A		84-31 →	9004201-2500	O-ring	1
	159	89-23 →	4460563	Front cover (SB-8913)	1
	"	86-23 → 89-22	4460392	Front cover	1
	163	89-23 →	5000207	Screw (SB-9437)	6
	"	84-31 → 89-22	9007510-3716	Screw (SB-8913)	6

Swashplate

<u>Order Code</u>	<u>Item</u>	<u>Date Code</u> <u>Begin</u> → <u>End</u>	<u>Part Number</u>	<u>Description</u>	<u>Qty. per Model/Kit</u>
A	201	86-23 →	4510072	Non-balanced swashplate assy.	1
	"	86-14 → 86-22	4460412	Non-balanced swashplate	1
	202	86-23 →	4460325-0001	Journal bearing	2
	"	84-31 → 86-22	4460277	Journal bearing	2
B	201	86-23 →	4510073	Balanced swashplate assembly	1
	202	86-23 →	4460696	Journal bearing (SB-9411)	2

Seal

<u>Order Code</u>	<u>Item</u>	<u>Date Code</u> <u>Begin</u> → <u>End</u>	<u>Part Number</u>	<u>Description</u>	<u>Qty. per Model/Kit</u>
A	301	84-31 →	9008000-0121	Lip seal	1
	302	84-31 →	9004100-0160	O-ring (MDC)	1
	303	84-31 →	9004100-0120	O-ring (MDC)	1
B	301	84-31 →	9008000-0121	Lip seal	1
	304	98-31 →	9004101-1190	O-ring, for EDC (SB-9852)	1
	304	84-31 → 98-30	9004100-0210	O-ring, for EDC	1
	304	98-33 →	9004101-1190	O-ring, for HDC (SB-9852)	1
	304	84-31 → 98-32	9004100-0210	O-ring, for HDC	1

Bold Items indicate recommended parts to be stocked for servicing