

Hydraulic Motors M3 - M4 Series

Denison Vane Technology, fixed displacement



ENGINEERING YOUR SUCCESS.

Model No. **M4D1**
M4D - **138** - **1** **N** **00** - **B** - **1** - **02** ..

M4D - Series external drain

M4D1 Series internal drain

Torque

- 062 = 1,04 Nm/bar
- 074 = 1,22 Nm/bar
- 088 = 1,45 Nm/bar
- 102 = 1,68 Nm/bar
- 113 = 1,86 Nm/bar
- 128 = 2,11 Nm/bar
- 138 = 2,30 Nm/bar**

Type of shaft

- 1 = keyed (SAE C)**
- 3 = splined (SAE C)

Direction of rotation (shaft end view)

N = bi-directional

CW rotation => A = inlet B = outlet
 CCW rotation => B = inlet A = outlet

Modifications

Ports

- 01 = SAE threaded port
- SAE drain

02 = 4 bolt SAE flange with UNC threads SAE drain

- M4 = 4 bolt SAE flange with Metric threads
- BSPP drain

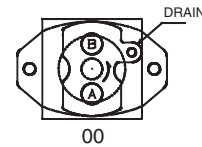
Seal class

- 1 = S1 - BUNA N
- 5 = S5 - VITON®**

Design letter

Porting combination

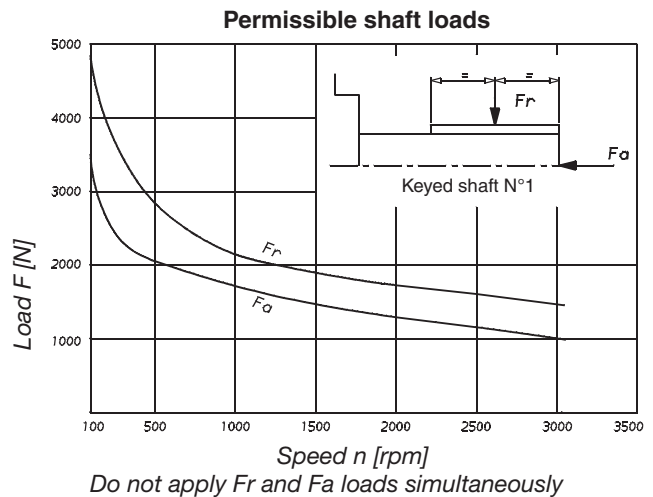
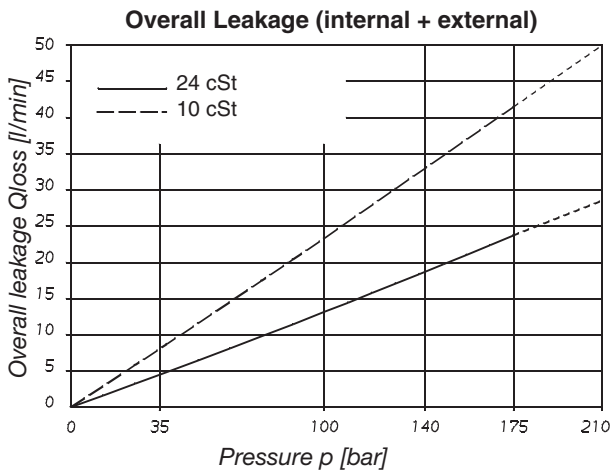
00 = standard



M4D1 : Drain port is plugged.

Operating Characteristics - Typical [24 cSt]

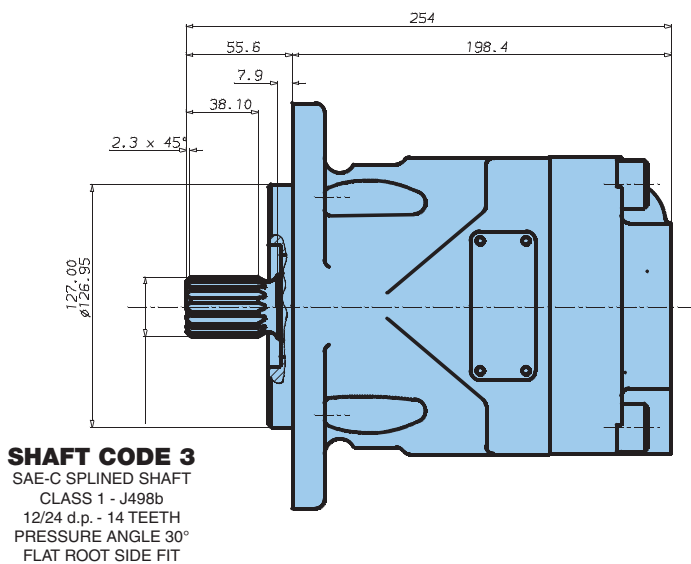
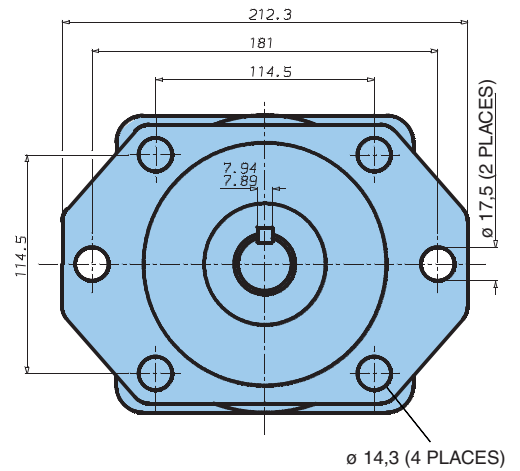
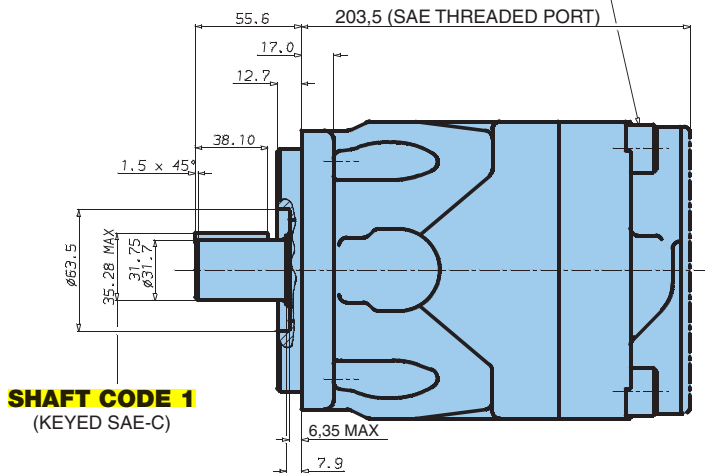
Model	V _i Volumetric displacement cm ³ /rev.	Input flow at n = 2000 rpm		Torque T at n = 2000 rpm	Power output at n = 2000 rpm
		Theoretical	at 175 bar Δ p	at 175 bar Δ p	at 175 bar Δ p
		l/min	l/min	Nm	kW
M4D 062	65,1	130,0	154,0	165,0	34,6
M4D 074	76,8	154,0	178,0	200,0	41,9
M4D 088	91,0	182,0	206,0	236,0	49,4
M4D 102	105,5	211,0	241,0	264,0	55,3
M4D 113	116,7	233,0	257,0	300,0	62,8
M4D 128	132,4	265,0	289,0	340,0	71,2
M4D 138	144,4	289,0	313,0	372,0	77,9



M4D - M4D1 motor

Weight : 27,0 kg

MOUNTING TORQUE: 180 N.m



7/16"-14 UNC x 22 DEEP - 8 HOLES
 (M12 x 22,1 DEEP-METRIC VERSION)

