

M series motors

CHARACTERISTICS OF THE M SERIES MOTORS

Motor model	Displacement (cc/rev)	Continuous max. speed (1) (rpm)	Intermittent max. speed (1) (rpm)	Max. flow absorbed (l/mn)	Torque (N.m/bar)	Torque at 350 bar (N.m)	Theoretical maximal power at 400 bar (kW)	Max. allowable pressure continuous / peak (bar)	Weight (kg)
M 5_093840	5	8000	8800	40	0.08	28	26.6	400 / 450	4.4
M 12	12	8000	8800	96	0.19	67	64	400 / 450	5.5
M 18	18.0	8000	8800	144	0.29	100	96	400 / 450	5.5
M 25	24.9	6300	6900	157	0.40	139	104.5	400 / 450	11.5
M 28	27.7	6300	6900	175	0.44	154	116.3	400 / 450	11.5
M 32	32.1	6300	6900	202	0.51	179	134.8	400 / 450	11.5
M 41	41.1	5600	6200	230	0.65	229	153.4	400 / 450	11.5
M 45	45.4	5000	5500	227	0.72	253	151.3	400 / 450	18
M 50	50.3	5000	5500	252	0.80	280	167.6	400 / 450	18
M 63	63	5000	5500	315	1.00	351	210	400 / 450	18
M 80	80.4	4500	5000	362	1.28	448	241.2	400 / 450	23
M 90	90	4500	5000	405	1.43	501	270	400 / 450	23
M 108	108.3	4000	4400	433	1.72	603	288.8	400 / 450	23
M 108 R (2)	108.3	3400	4500	368	1.72	603	245.4	400 / 450	35
M 125	125.4	3400	4500	426	2.00	699	284.2	400 / 450	35
M 160	160	3600	4000	576	2.55	891	384	400 / 450	48.5
M 180	180.6	3600	4000	650	2.87	1006	433.4	400 / 450	48.5

(1) For higher speeds, please contact us.

(2) The M 108 R motor is in the frame size of the M 125.

► Acceptable forces applied to motor shaft

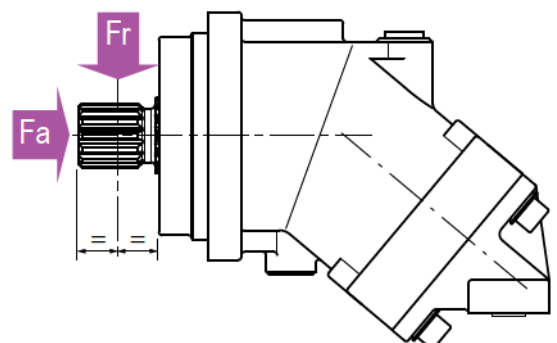
Motor model	5	12	18	25	28	32	41	45	50	63	80	90	108	108 R	125	160	180	
Fr	N	710	2800	4000	6000	6200	6500	7000	6500	7500	9000	10500	11000	11500	12500	14500	18000	20000
Fa	N/bar *	10	15	20	27	28	30	40	40	50	60	67	80	80	86	85	95	

Fr: radial force measured at mid point of length of shaft.

Fa: axial force which tends to push the shaft inwards.

* Differential pressure between A and B.

For other forces, please contact us.



Order code system of M series motors

M	...	A	M2
01	02	03	04	05	06	07	08	09	10

To obtain the code for your motor, complete the different parameters 02, 04, 05, 07, 08, 09 and 10 in the table on the left according to the options you require (see table below).

Motor										
01	Motor									M

Displacement																			
02		5	12	18	25	28	32	41	45	50	63	80	90	108	108R	125	160	180	

Mounting flange																			
03		CETOP 2/10s							4 bolts ISO 3019-2										A

Shaft																				
04	DIN 5480 splined	-	W25	W25	W25	W30	W30	W30	W30	W30	W30	W30	W40	W40	W40	W45	W45	W50	W50	W1
		-	-	-	W30	W25	W25	-	W35	W35	W35	W35	W35	-	-	W40	W40	-	-	W2
	DIN 6885 keyed	Ø 18	Ø 25	Ø 25	Ø 25	Ø 30	Ø 30	Ø 30	Ø 30	Ø 30	Ø 30	Ø 30	Ø 40	Ø 40	Ø 40	Ø 45	Ø 45	Ø 50	Ø 50	D1
		-	Ø 20	-	Ø 30	Ø 25	Ø 25	-	Ø 35	Ø 35	Ø 35	-	-	-	Ø 40	-	-	-	-	D2

Inlet ports A and B																						
05	SAE flange ports	Bottom	0	-	-	-	-	•	•	•	•	•	•	•	•	•	•	•	•	•	L0	
		Rear	0	-	-	-	•	•	•	•	•	•	•	•	•	•	•	•	•	•	•	M0
		Side	0	-	-	-	•	•	•	•	•	•	•	•	•	•	•	•	•	•	•	N0
	Threaded	Side	0	-	•	•	•	•	•	•	•	•	•	•	•	-	-	-	-	-	-	Q0
			1	-	-	-	•	•	•	•	•	•	•	•	•	•	-	-	-	-	-	Q1
		Rear	0	•	•	•	•	•	•	•	•	•	•	•	•	•	-	-	-	-	-	P0

0 = Without suitability for valves
1 = Compatible with flushing valve

Drain ports T1 and T2																				
06		2	2	2	2	2	2	2	2	2	2	2	2	2	2	2	2	2	2	M2

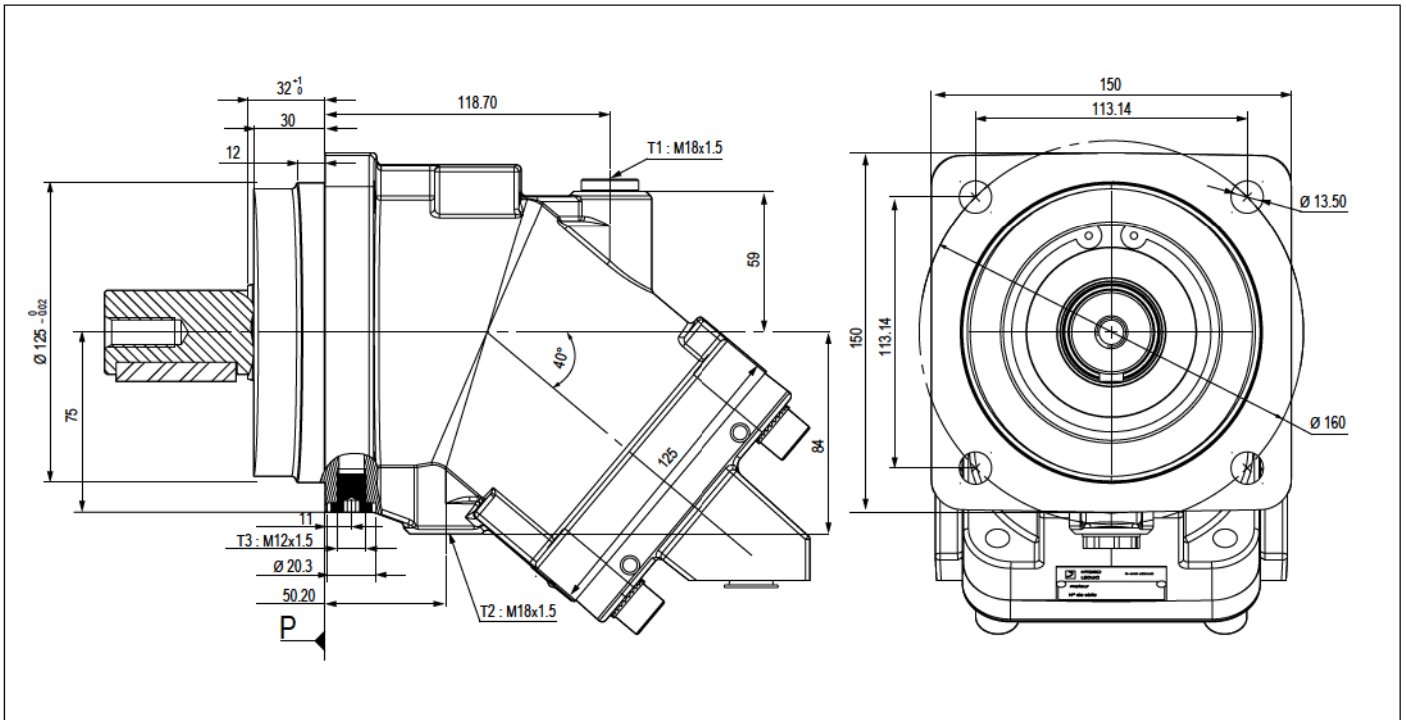
Suitable for use of speed sensor																					
07	Yes	-	•	•	•	•	•	•	•	•	•	•	•	•	•	•	•	•	•	•	1
	No	•	•	•	•	•	•	•	•	•	•	•	•	•	•	•	•	•	•	•	0

Speed sensor																					
08	Yes	-	•	•	•	•	•	•	•	•	•	•	•	•	•	•	•	•	•	•	1
	No	•	•	•	•	•	•	•	•	•	•	•	•	•	•	•	•	•	•	•	0

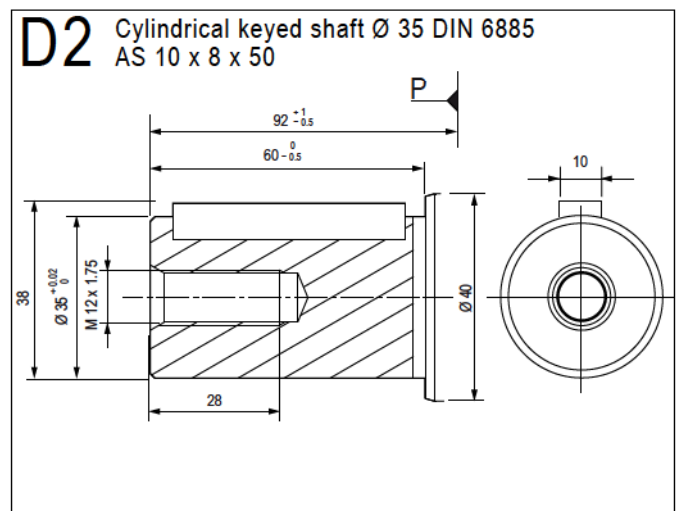
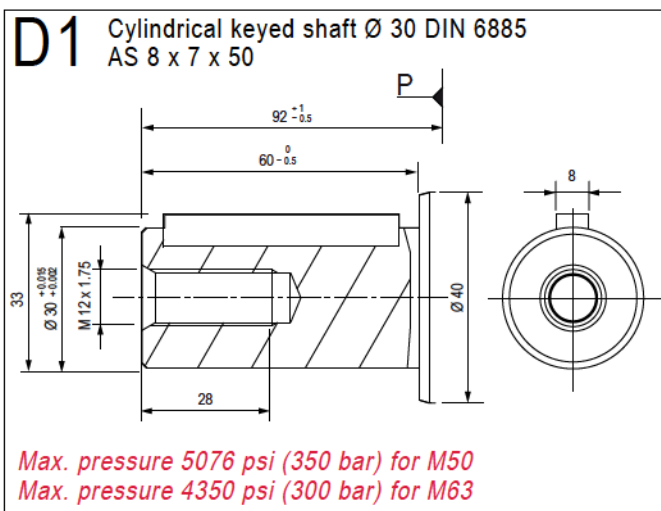
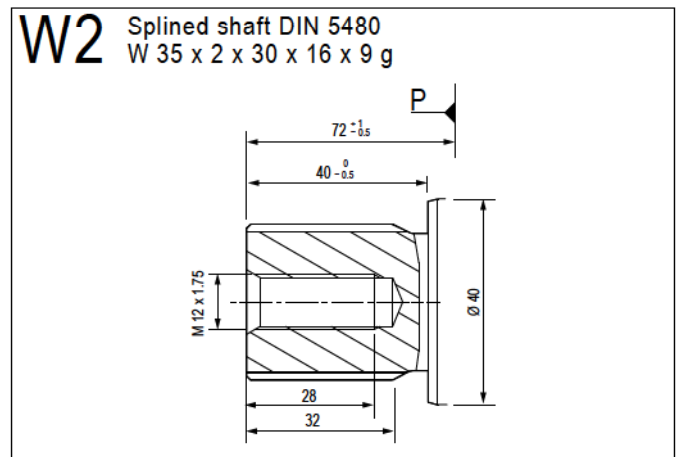
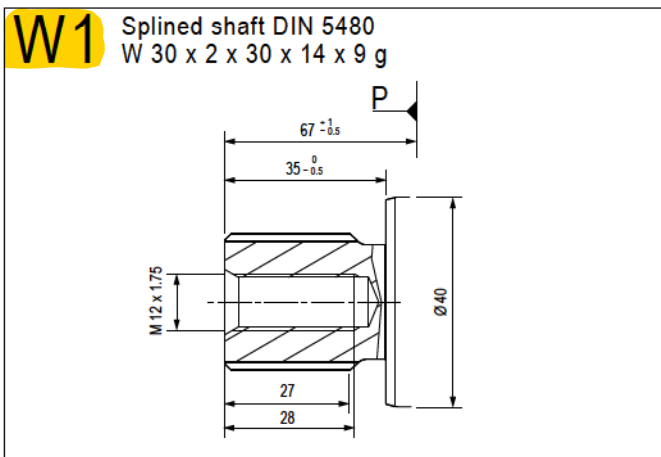
Valves																					
09	Without	•	•	•	•	•	•	•	•	•	•	•	•	•	•	•	•	•	•	•	SV
	with flushing valve	-	-	-	•	•	•	•	•	•	•	•	•	•	•	•	•	•	•	•	VB

Low temperature option																					
10	Yes (NBR)	-	•	•	•	•	•	•	•	•	•	•	•	•	•	•	•	•	•	•	N
	No (FKM)	•	•	•	•	•	•	•	•	•	•	•	•	•	•	•	•	•	•	•	F

PLEASE NOTE: The M5 motor, reference 093840, only exists in one version (see next page).

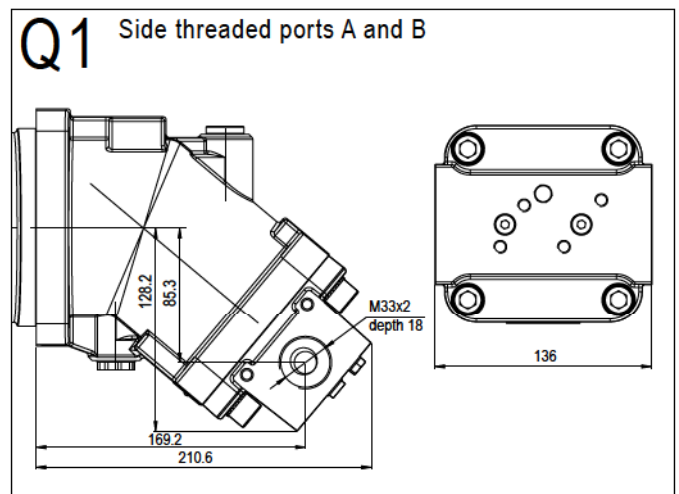
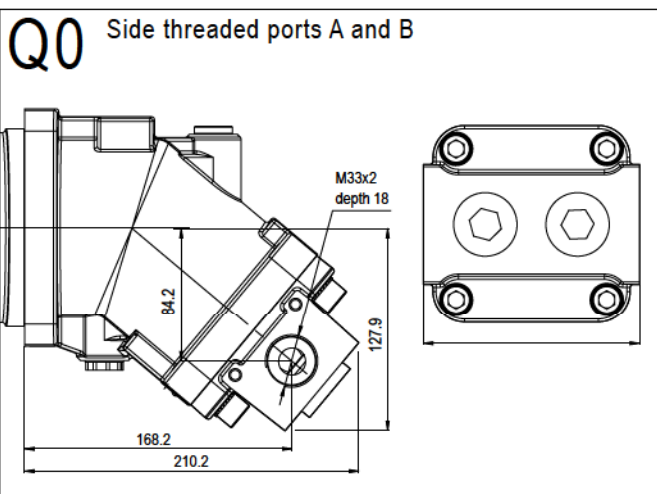
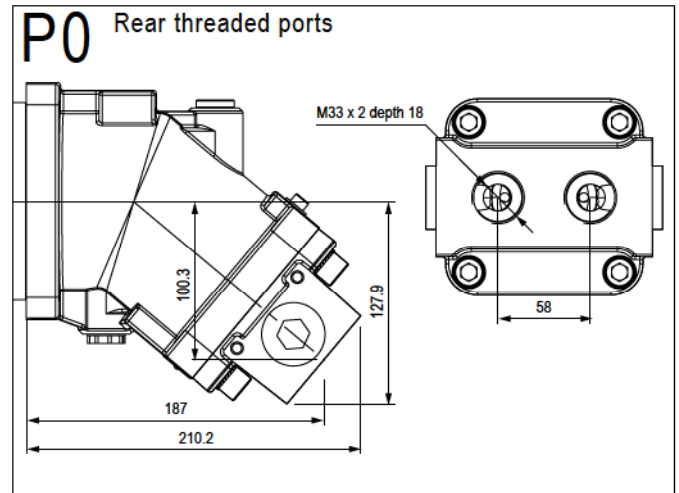
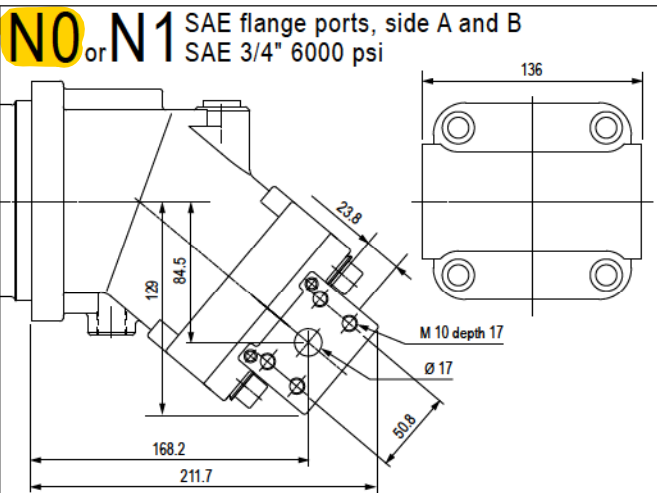
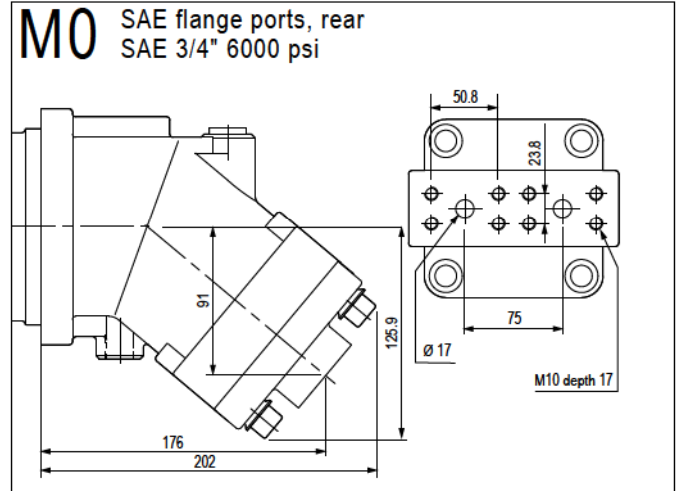
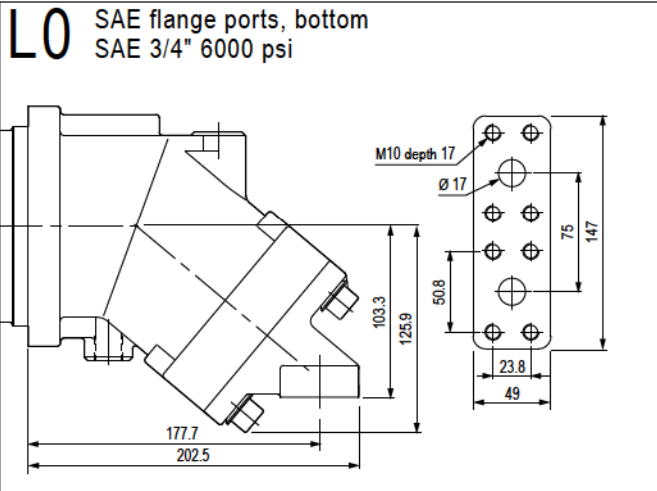


► Shaft end



Dimensions in mm are given only as an indication.

► Inlet ports



M series