

# F11



<b>Content</b>	<b>Page</b>
Specifications .....	9
Efficiency .....	10
Noise level .....	10
Selfpriming speed and required inlet pressure .....	11
Ordering codes	
F11-CETOP .....	12
F11-ISO .....	13
F11-SAE .....	14
Installation dimensions CETOP	
F11-005 .....	15
F11-006, -010 .....	16
F11-012 .....	18
F11-014 .....	20
F11-019 .....	22
Installation dimensions ISO	
F11-006, -010 .....	24
F11-012 .....	26
F11-014 .....	28
Installation dimensions SAE	
F11-006, -010 .....	30
F11-012 .....	32
F11-014 .....	34
F11-019 .....	36

Frame size F11	-005	-006	-010	-012	-014	-019
<b>Displacement</b> [cm <sup>3</sup> /rev]	4.9	6.0	9.8	12.5	14.3	19.0
<b>Operating pressure</b>						
max intermittent <sup>1)</sup> [bar]	420	420	420	420	420	420
max continuous [bar]	350	350	350	350	350	350
<b>Motor operating speed</b> [rpm]						
max intermittent <sup>1)</sup>	14 000	11 200	11 200	10 300	9 900	8 900
max continuous <sup>3)</sup>	12 800	10 200	10 200	9 400	9 000	8 100
min continuous	50	50	50	50	50	50
<b>Max pump selfpriming speed</b> <sup>2)</sup>						
L or R function; max [rpm]	4 600	–	4 200	3 900	3 900	3 500
<b>Motor input flow</b>						
max intermittent <sup>1)</sup> [l/min]	69	67	110	129	142	169
max continuous [l/min]	63	61	100	118	129	154
<b>Drain temperature</b> <sup>3)</sup> , max [°C]						
min [°C]	-40	-40	-40	-40	-40	-40
<b>Theoretical torque at 100 bar</b> [Nm]	7.8	9.5	15.6	19.8	22.7	30.2
<b>Mass moment of inertia</b>						
(x10 <sup>-3</sup> ) [kg m <sup>2</sup> ]	0.16	0.39	0.39	0.40	0.42	1.1
<b>Weight</b> [kg]	4.7	7.5	7.5	8.2	8.3	11

1) Intermittent: max 6 seconds in any one minute.

2) Selfpriming speed valid at sea level. Find more info on page 11

3) See also installation information. Page 69

2

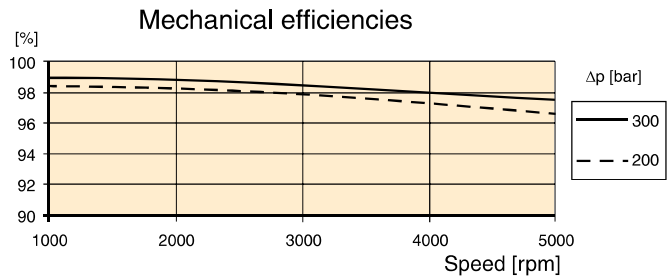
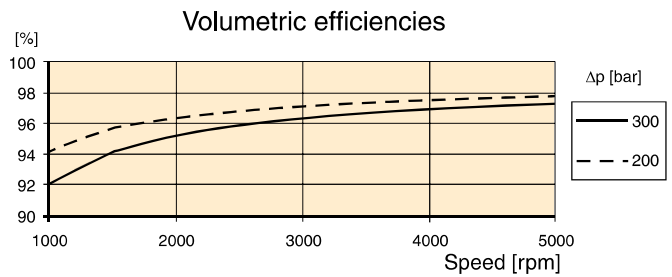
**Efficiency**

Because of its high overall efficiency, driving a motor/pump from series F11 requires less fuel or electric power. Also, it allows the use of a small reservoir and heat exchanger, which in turn reduce cost, weight, and installation size.

The diagrams to the right show volumetric and mechanical efficiencies of an F11-5 motor.

F11-19 motors can be equipped with Power Boost which in high speed applications can decrease the mechanical losses by up to 15%, see page 7.

Contact Parker Hannifin for efficiency information on a particular F11 frame size that is being considered.



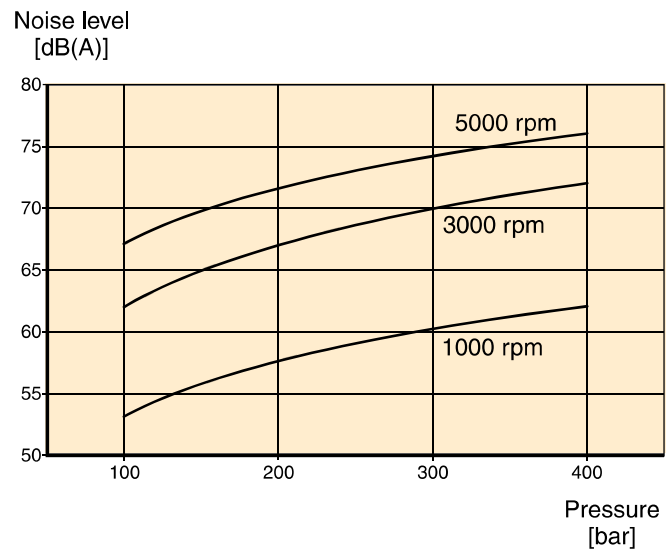
**Noise level**

Series F11 feature low noise levels from low to high speeds and pressures.

The noise level is measured in a semi-anechoic room, 1 m behind the unit. As an example, the diagram to the right shows the noise level of an F11-005.

The noise level for a particular motor/pump may vary ±2 dB(A) compared to what is shown in the diagram.

**NOTE:** Noise information for F11/F12 frame sizes are available from Parker Hannifin.



**Selfpriming speed and required inlet pressure**

**Series F11**

In pump applications, the F11 with function **L** (counter clockwise rotation) or **R** (clockwise rotation) is normally used. The L and R (pump) provide the highest self priming speeds (see table) as well as the lowest noise level. The **M** and **H** (motor) function can also be used as a pump, in either direction, but at a lower self priming speed.

Operating above the self priming speed (refer to Diagram 1) requires increased inlet pressure. As an example, at least 1.0 bar is needed when operating the F11-19-M as a pump at 3500 rpm. An F11 used as a motor (e.g. in a hydrostatic transmission), may sometimes operate as a pump at speeds above the selfpriming speed; this requires additional inlet pressure. Insufficient inlet pressure can cause pump cavitation resulting in greatly increased pump noise and deteriorating performance.

Function	L or R	M	H
F11-5	4600	3800	3200
F11-6		3100	
F11-10	4200	3100	2700
F11-12	3900	-	3000
F11-14	3900	-	3000
F11-19	3500	2400	2100

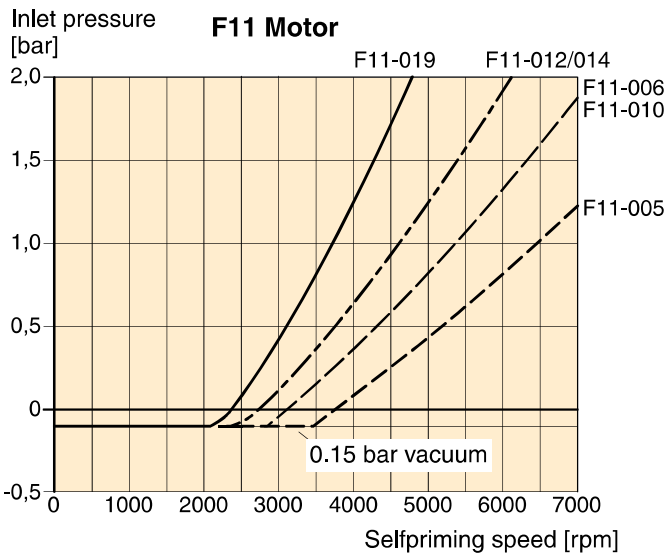
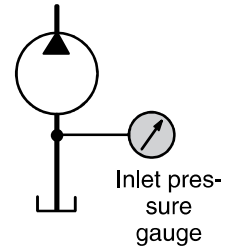


Diagram 1. Min required inlet pressure for Motor.

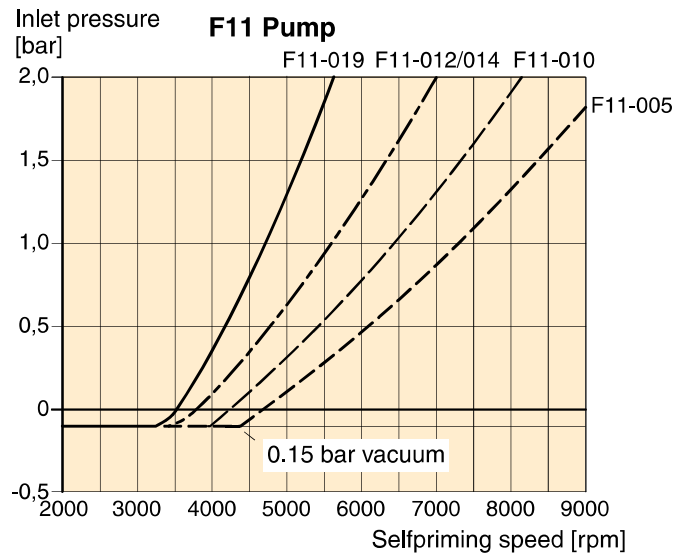
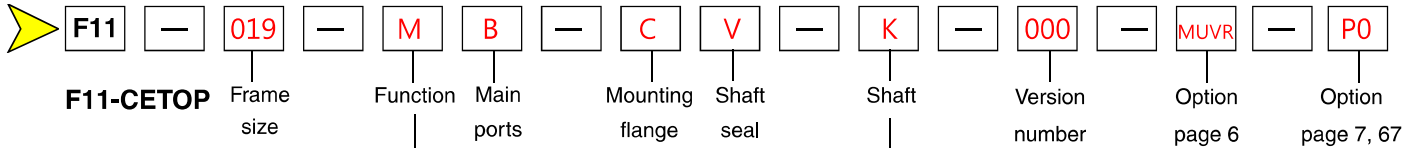


Diagram 2. Min required inlet pressure for Pump.

The inlet pressure can be charged by external pump, pressurized reservoir or using BLA Boost unit  
 Find more info about the BLA unit at page 68.



Frame size	
Code	Displacem. (cm <sup>3</sup> /rev)
005	4.9
006	6.0
010	9.8
012	12.5
014	14.3
019	19.0

Version number  
 (assigned for special versions)

Frame size		5	6	10	12	14	19
Code	Option						
0000	Standard	x	x	x	x	x	x
MUVR	Make up/Anti cavitation valve clockwise rotation	-	-	(x)	(x)	(x)	(x)
MUVL	Make up/Anti cavitation valve counter clockwise rotation	-	-	(x)	(x)	(x)	(x)

Frame size		5	6	10	12	14	19
Code	Function						
M	Motor	x	x	x	-	-	x
Q	Motor, low noise	x	-	x	x	x	x
S	Motor, high speed	-	-	(x)	(x)	(x)	(x)
H	Motor, high pressure	(x)	-	(x)	-	-	(x)
R	Pump, clockwise rot'n	(x)	-	(x)	(x)	(x)	(x)
L	Pump, counter clockw.	(x)	-	(x)	(x)	(x)	(x)

For other versions, contact Parker Hannifin

Frame size		5	6	10	12	14	19
Code	Main ports						
B	BSP threads	x	x	x	x	x	x
U	SAE, UN threads	(x)	(x)	(x)	(x)	(x)	(x)

Frame size		5	6	10	12	14	19
Code	Shaft*						
K	Metric key	x	x	x	x	x	x
J	Metric key	(x)	(x)	(x)	(x)	-	-
P	Metric key	-	-	-	-	(x)	-
A	Spline, DIN 5480	-	(x)	(x)	(x)	-	-
D	Spline, DIN 5480	x	x	x	x	x	x
S	Spline, SAE	(x)	-	-	-	-	-
V	Tapered shaft	-	(x)	(x)	(x)	(x)	(x)

\*See also dimensional drawings on pages 15-23.

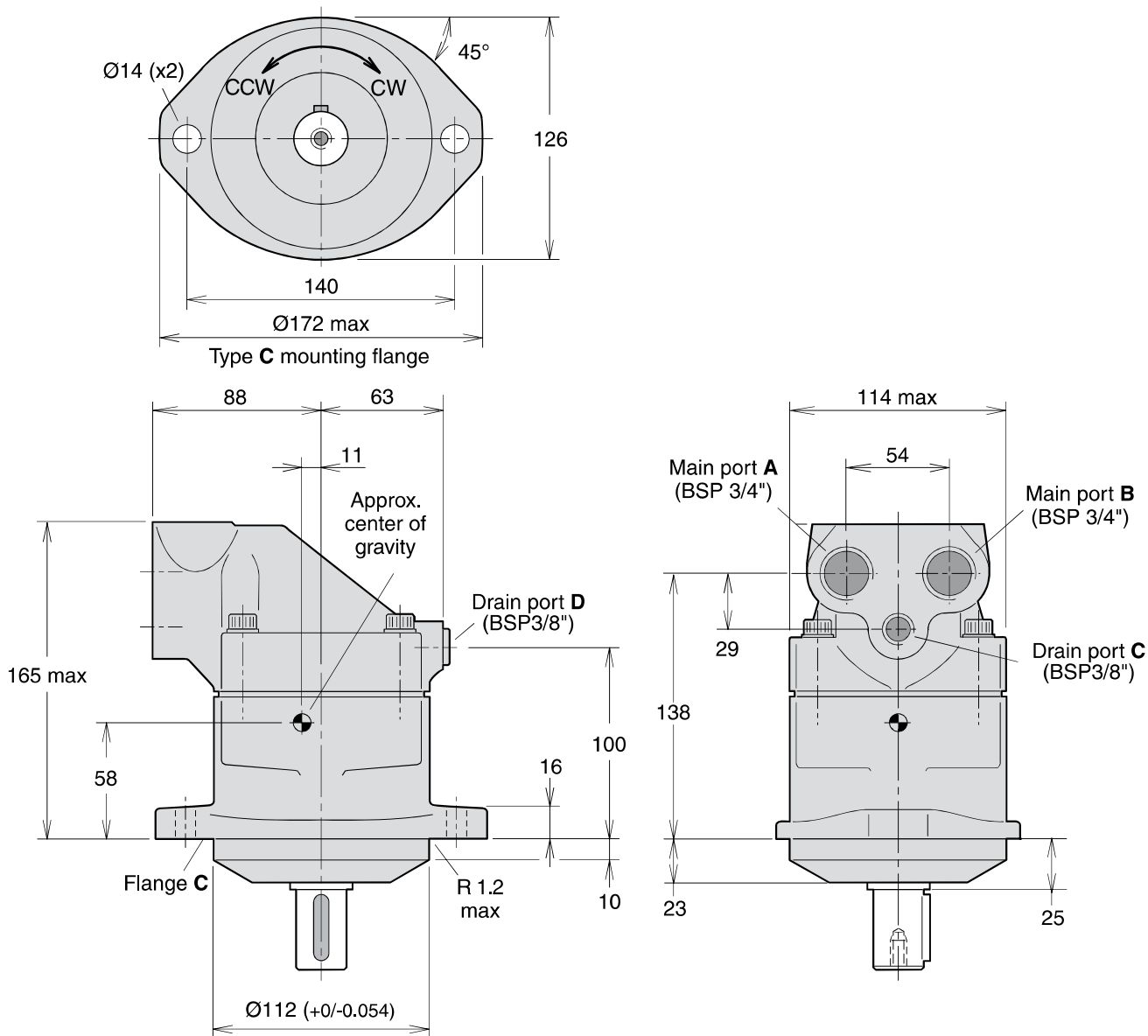
Frame size		5	6	10	12	14	19
Code	Mounting flange						
C	CETOP flange	x	x	x	x	x	x
W	Saw motor flange	-	(x)	(x)	(x)	(x)	(x)

Frame size		5	6	10	12	14	19
Code	Shaft seal						
N	NBR, low pressure	(x)	(x)	(x)	-	-	(x)
V	FPM, high pressure, high temperature	x	x	x	x	x	x
S	PTFE, high speed	-	(x)	(x)	(x)	(x)	(x)

x: Available      (x): Optional      -: Not available

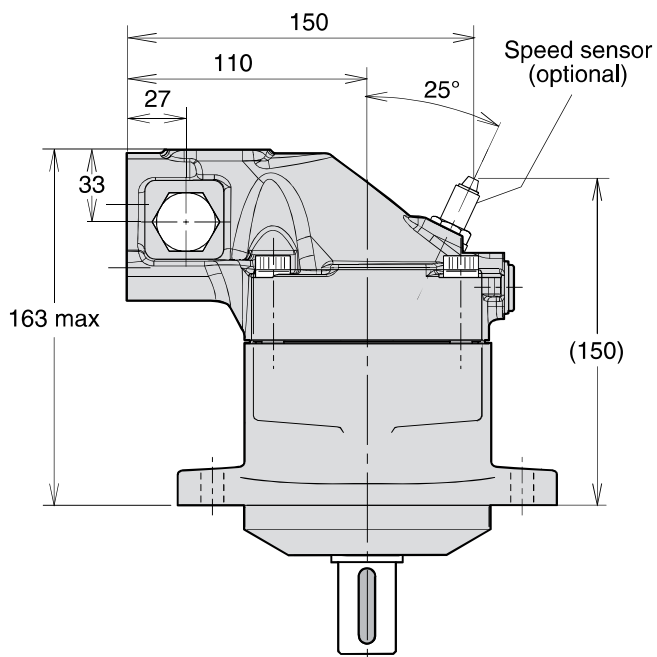
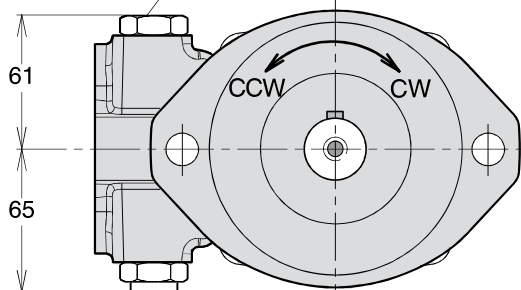
Frame size		5	6	10	12	14	19
Code	Option						
00	Standard	x	x	x	x	x	x
P_	Prepared for speed sensor	-	(x)	(x)	(x)	(x)	(x)
B_	Power Boost and Prepared for speed sensor	-	(x)	(x)	(x)	(x)	(x)
_T	Painted Black	(x)	(x)	(x)	(x)	(x)	(x)

**F11-019**  
 (CETOP version)

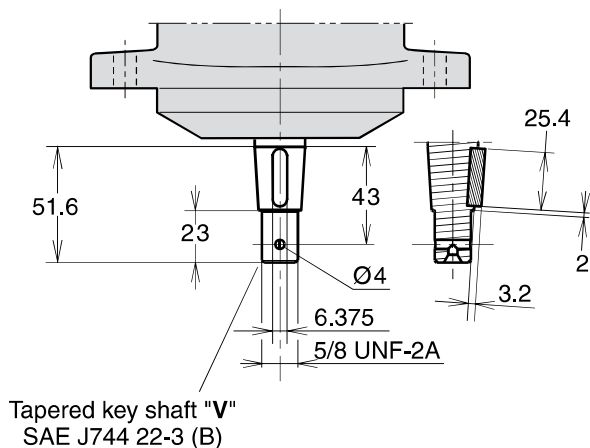
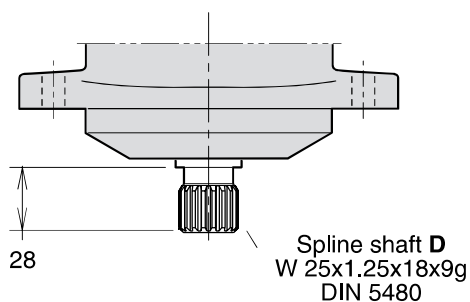
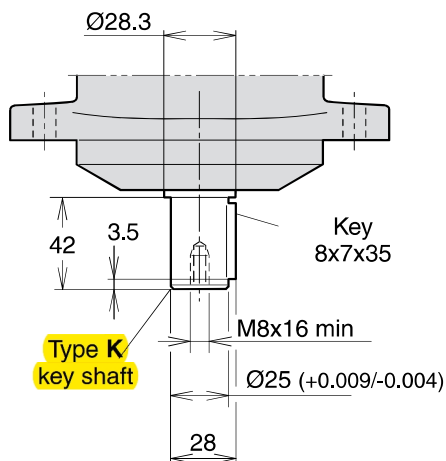


**F11-019**  
 (CETOP version)

Make up/Anti cavitation valve  
 (MUVL or MUVR optional;  
 clockwise rotation shown)



**Shaft options**



2