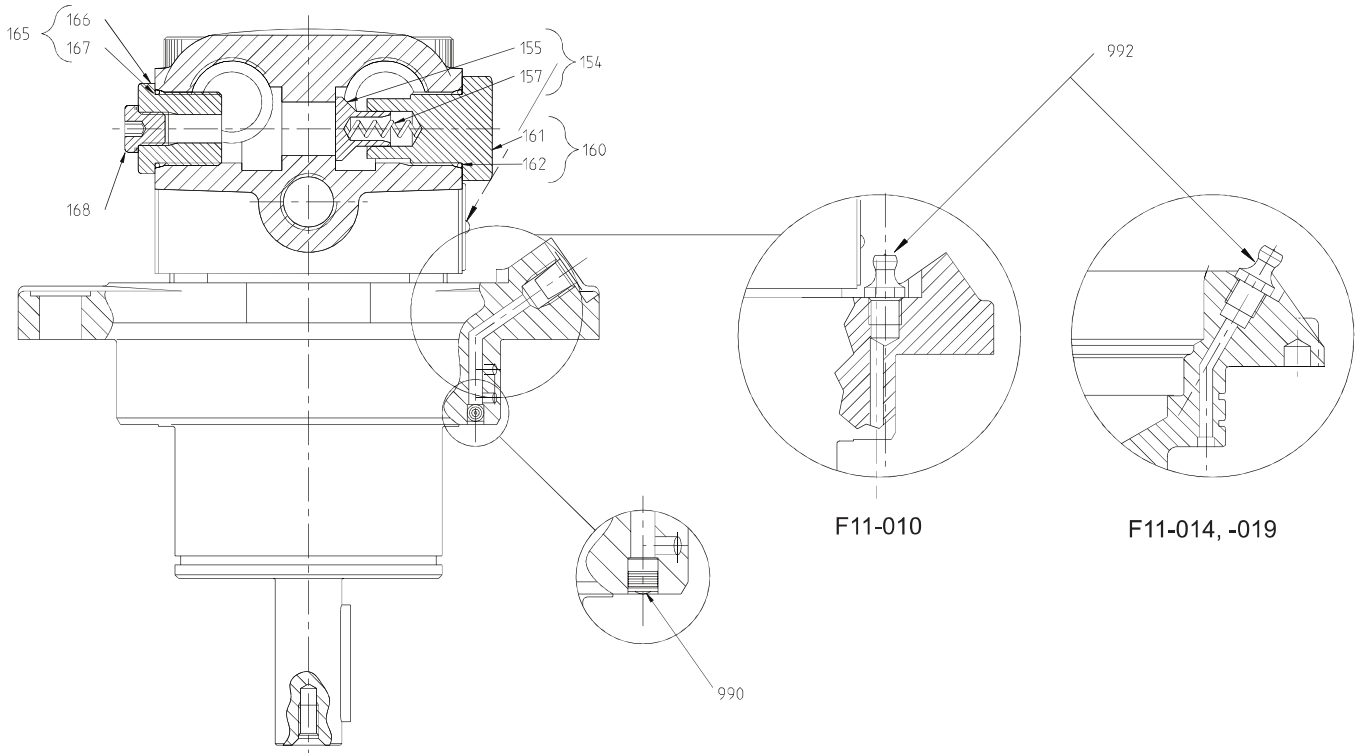


**Note!** For F11-010 item 155, 157 and 160 are included in item 110.

**Note!** For F11-019 item 155, 157, 160, 165 and 168 are included in item 110.

**Note!** Item 990 and 992 are included in item 210.



Item	Part No	Title	Qty	Remarks
61	3785641	Hex Socket Plug	1	
62	3785682	Seal Washer	1	
86	3784472	Powerboost	1	
110	3729655	Barrel Housing Assy CW	1	MUVR
110	3720238	Barrel Housing Assy CCW	1	MUVL
121	3795088	Valve Plate type S	1	
130	3785226	Hex Socket Plug Assy	1	
155	3797289	Chec Valve Cone	1	Incl. in item 110
157	3797290	Compression spring	1	Incl. in item 110
160	3797292	Hex Socket Plug Assy	1	Incl. in item 110
210	3784906	Bearing Housing Assy	1	
237		Retaining Ring	1	
310	3796080	Shaft Assy type K	1	Require flat key
321	3796439	Flat Key for K shaft	1	
411	3702958	Cylinder Barrel	1	
431	3700973	Barrel Retaining Ring	1	
440	3708657	Piston Assy	5	
452	3795832	Ring Gear	1	
460	3798537	Tap Rol Bearing	1	
464	3703853	Spacer Ring	1	
470	118201	Tap Rol Bearing	1	
474	907024	Lock Washer	1	
475	3720563	Round Nut	1	
486	3783044	Guide Spacer	1	
488		Shim	2	Only available in kit
491		Hex Socket Screw	2	Only available in spare part kit
492		Hex Socket Screw	2	Only available in spare part kit
990	118800	Expanding Plug	2	Incl. in item 210
992	3782149	Grease Fitting	1	Incl. in item 210

### Kits F11-010 Saw Motor

Part No	Title	Info	Contain item
3783383	Seal Kit Type S		221, 222, 233, 236, 237
<b>3721305</b>	<b>Spare Part Kit</b>	<b>Saw Motor</b>	<b>121, 411, 431, 440, 491, 492</b>
3786906	Piston Ring Kit	Ø 12 mm (60 pcs)	442
3721346	Shims Kit	0,6-0,8 mm (2 pcs of each)	488