

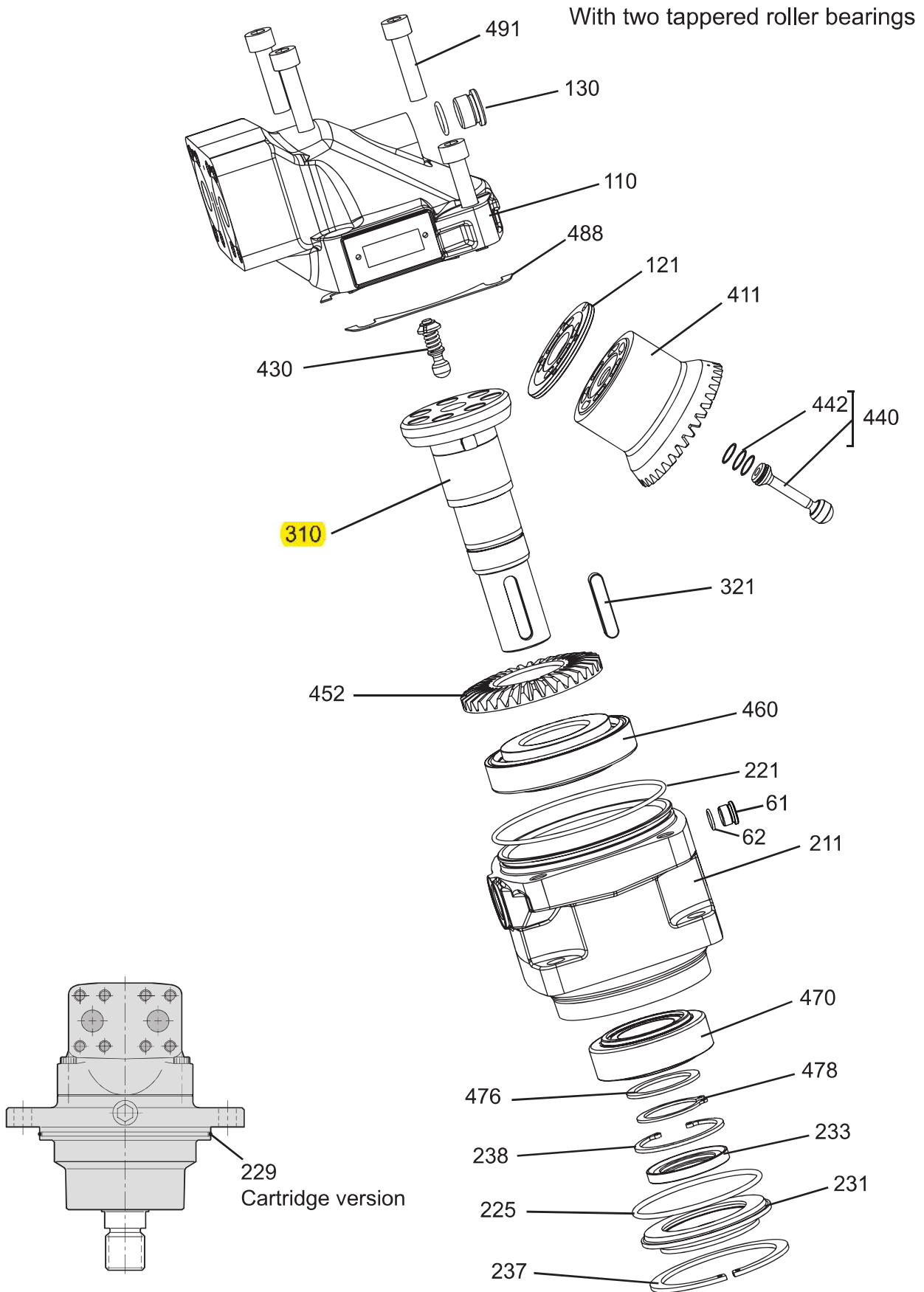


Bulletin HY30-5513-M1/UK/SE

Spare Parts Series F12

Effective: March, 2019
Supersedes: October, 2018





SP129

F12-030 all types from serial no. 1998020001 up to 201809300001.

| Item | Part No | Title | Qty | Remarks |
|------|---------|------------------------------------|-----|-------------------------------------|
| 61 | 3785641 | Hex Socket Plug M12*1 | 1 | |
| 62 | 3785682 | Seal Washer 12,7*19 | 1 | |
| 110 | 3798186 | Barrel Housing Assy | 1 | Type F |
| 110 | 3798187 | Barrel Housing Assy | 1 | Type S |
| 110 | 3780145 | Barrel Housing Assy | 1 | Type U |
| 121 | 3791911 | Valve Plate type M | 1 | Standard Motor |
| 121 | 3784619 | Valve Plate type S | 1 | High Speed Motor |
| 121 | 3791912 | Valve Plate type R | 1 | Pump CW |
| 121 | 3792037 | Valve Plate type L | 1 | Pump CCW |
| 130 | 3707298 | Hex Socket Plug Assy for S housing | 1 | |
| 130 | 3793607 | Hex Socket Plug Assy for F housing | 1 | |
| 130 | 3707298 | Hex Socket Plug Assy for U housing | 1 | |
| 211 | 3788317 | Bearing Housing Type I | 1 | Require item 61 and 62 |
| 211 | 3784481 | Bearing Housing Type C | 1 | Require item 61 and 62 |
| 211 | 3788323 | Bearing Housing Type S | 1 | Require item 61 and 62 |
| 211 | 3788320 | Bearing Housing Type T | 1 | Require item 61 and 62 |
| 221 | | O-Ring | 1 | Only available in seal kit |
| 225 | | O-Ring | 1 | Only available in seal kit |
| 229 | | O-Ring | 1 | Only available in seal kit |
| 231 | 3797194 | Seal Carrier | 1 | |
| 233 | | Shaft Seal | 1 | Only available in seal kit |
| 237 | | Retaining Ring | 1 | Only available in seal kit |
| 238 | | Retaining Ring | 1 | Only available in seal kit |
| 310 | 3799648 | Shaft type C | 1 | |
| 310 | 3799638 | Shaft type D | 1 | |
| 310 | 3799632 | Shaft type K | 1 | Require flat key |
| 310 | 3799644 | Shaft type P | 1 | Require flat key |
| 310 | 3799634 | Shaft type S | 1 | |
| 310 | 3799640 | Shaft type T | 1 | Require flat key |
| 321 | 909306 | Flat Key for K and P shaft | 1 | |
| 321 | 118225 | Flat Key for T shaft | 1 | |
| 411 | 3798157 | Cylinder Barrel | 1 | |
| 411 | 3782447 | Cylinder Barrel | 1 | Pump version |
| 430 | 3709838 | Barrel Support | 1 | |
| 440 | 3720448 | Piston Assy | 7 | Replace 3791925 |
| 442 | | Piston Ring | 21 | Only available in kit |
| 452 | 3791927 | Ring Gear | 1 | |
| 460 | 3797156 | Tap Rol Bearing | 1 | |
| 470 | 3796929 | Tap Rol Bearing | 1 | |
| 476 | | Spacer Washer | 1 | Only available in kit |
| 478 | | Retaining Ring | 1 | Only available in spacer washer kit |
| 488 | | Shim | 2 | Only available in kit |
| 491 | | Hex Socket Screw M10*40 10.9 | 4 | Only available in spare part kit |

Kits

| Part no | Title | Info | Contain pos |
|---------|-------------------------|----------------|------------------------------|
| 3793493 | Sealing kit type V | FPM | 221, 225, 229, 233, 237, 238 |
| 3785132 | Sealing kit type N | NBR | 221, 225, 229, 233, 237, 238 |
| 3784552 | Sealing kit type S | PTFE | 221, 225, 229, 233, 237, 238 |
| 3720898 | Sealing kit "Super Cut" | Super Cut 100 | 221, 222, 233, 236, 237 |
| 3787797 | Spare part kit | Motor | 121, 411, 440, 491 |
| 3786907 | Piston ring kit, 60 pcs | Ø 13,5 mm | 442 |
| 3721323 | Spacer washer kit | 1,95 - 2,35 mm | 476, 478 |
| 3721330 | Shims kit | 0,4-0,8 mm | 488 |

Note! 3720898 contains O-rings for both F11-019 and F12-030 (Item 222 only in F11-019)