

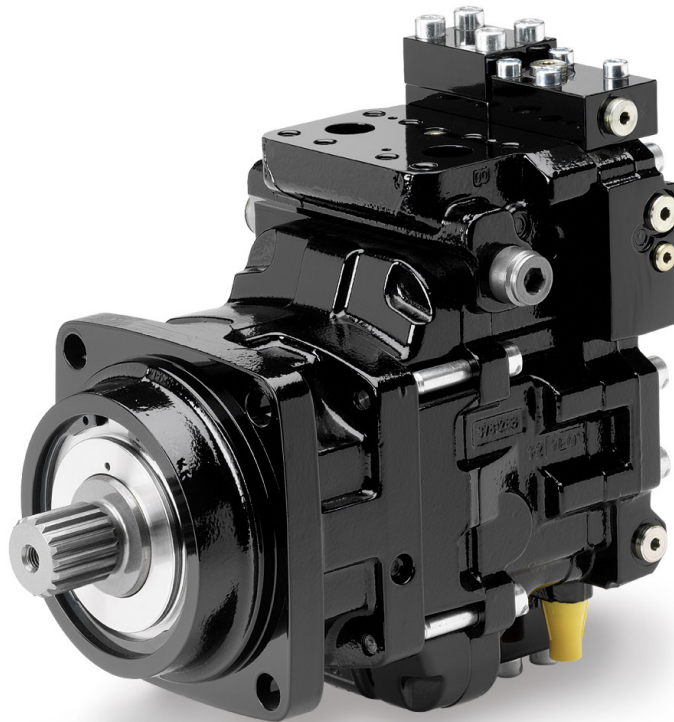


Bulletin HY30-5518-M1/UK/SE

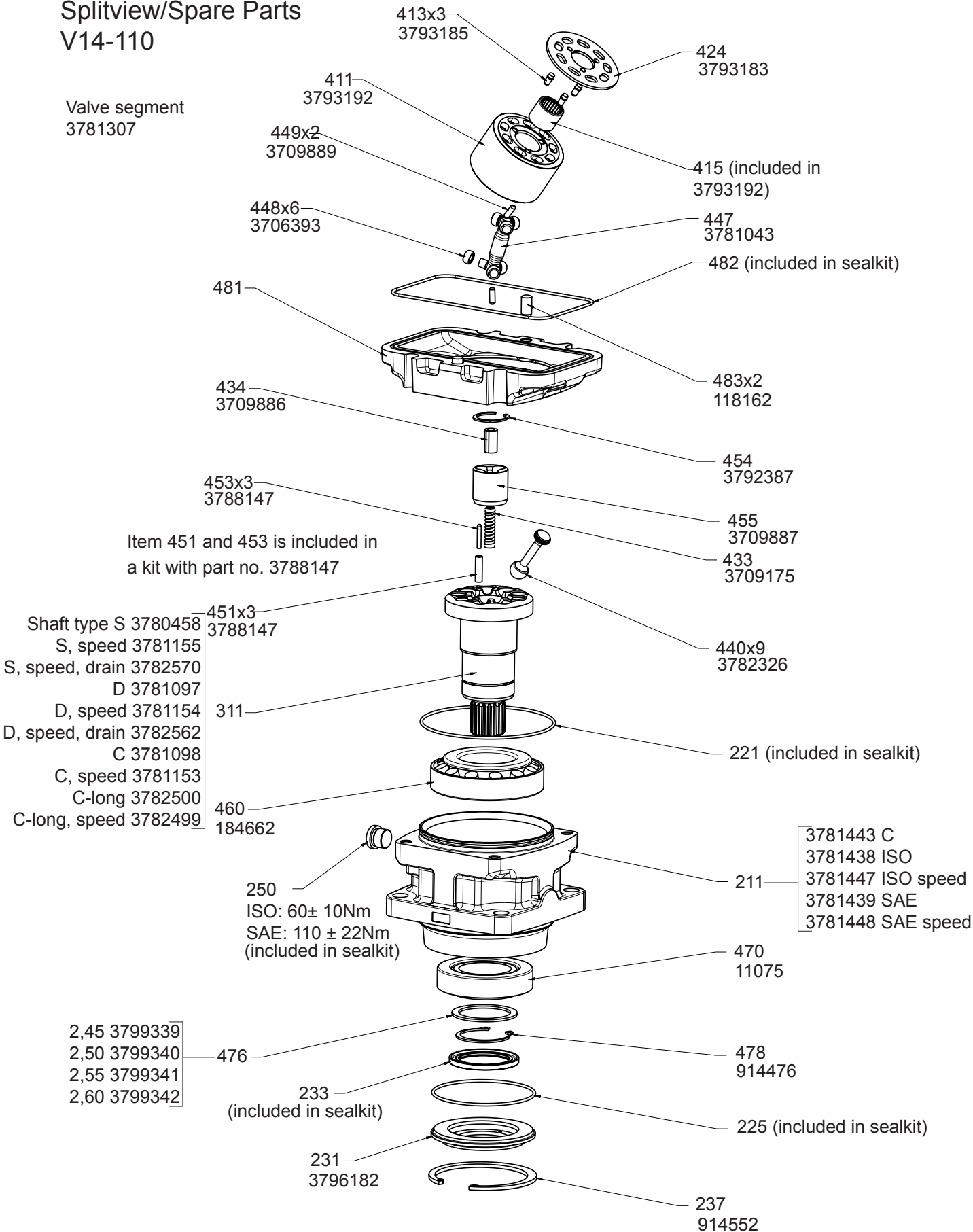
# Spare Parts Series V14

Effective: May, 2012  
Supersedes: October, 2010

---

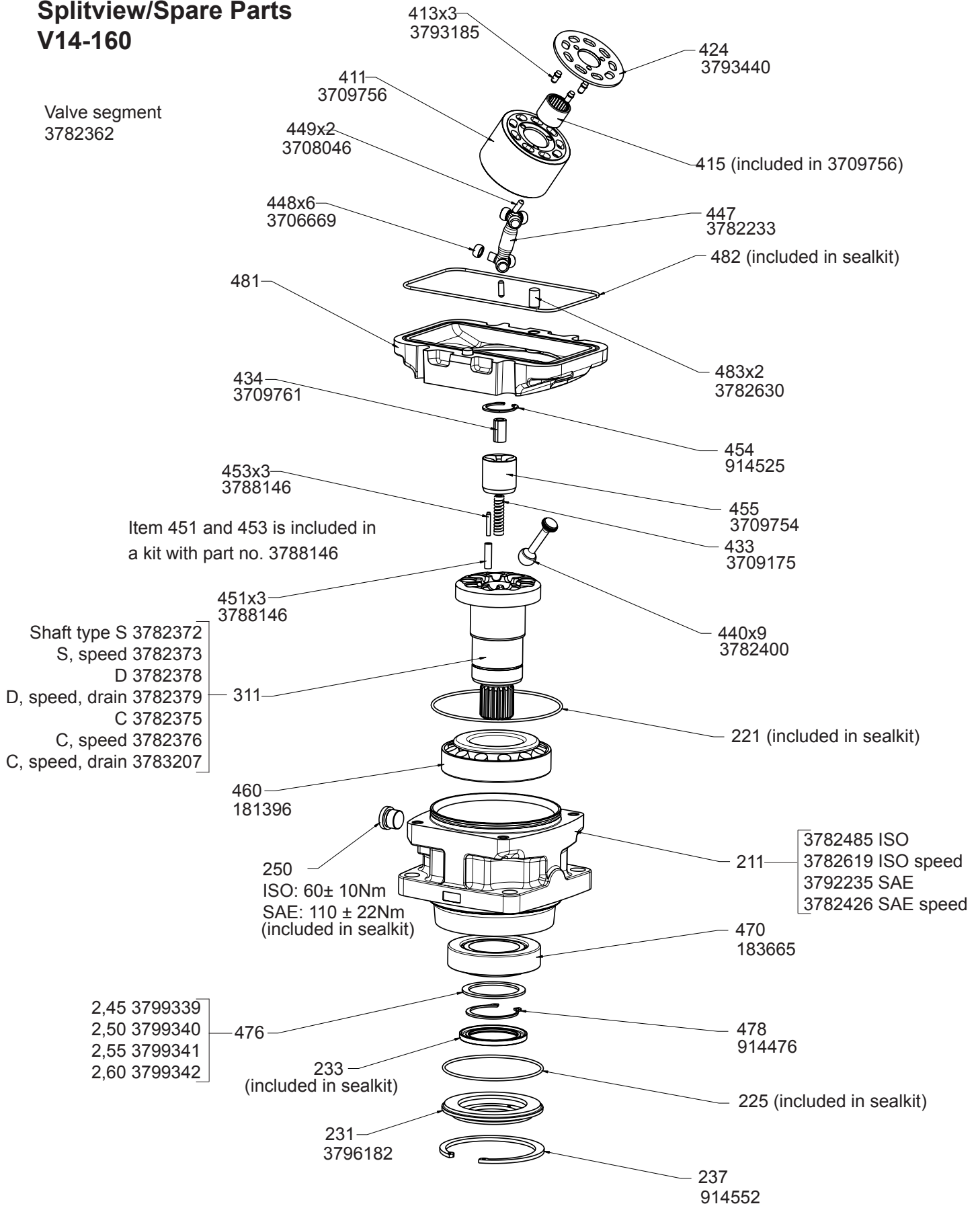


Splitview/Spare Parts  
V14-110

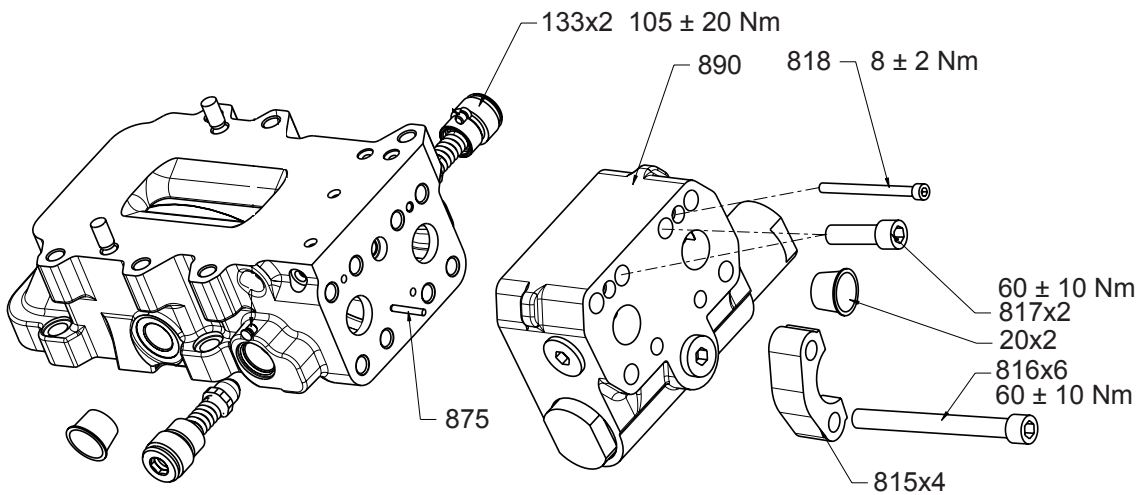
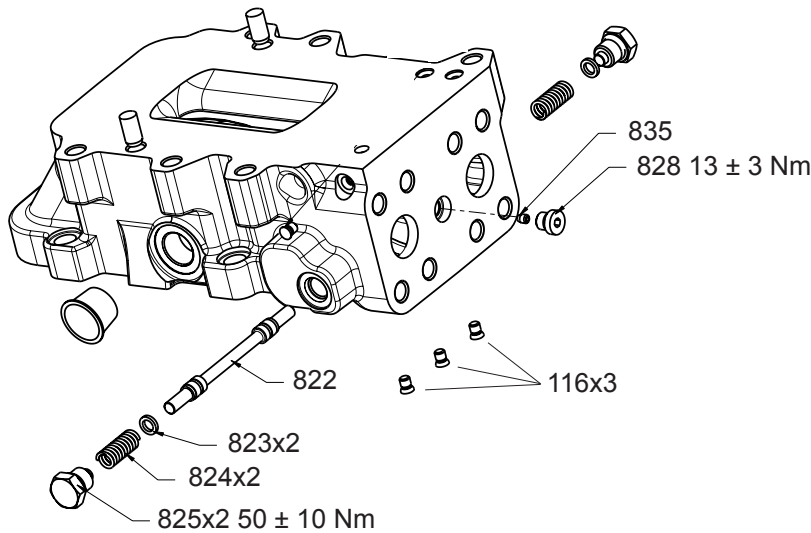
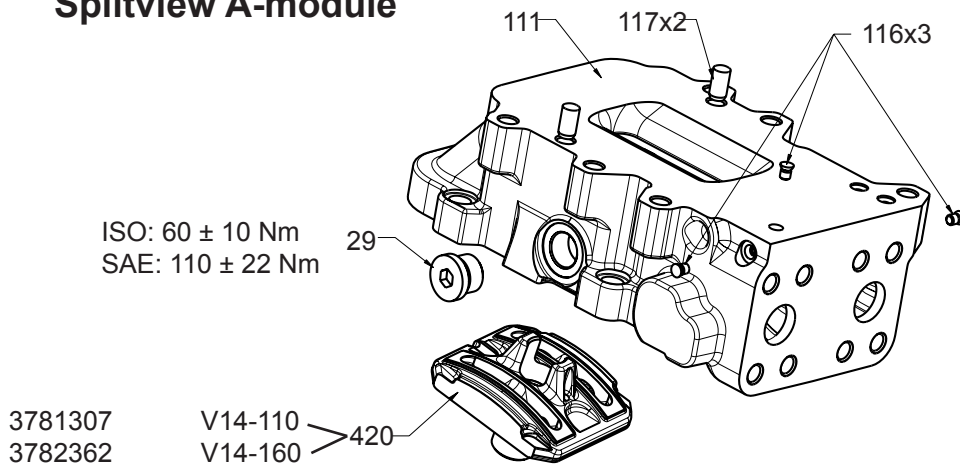


**Splitview/Spare Parts  
V14-160**

Valve segment  
3782362

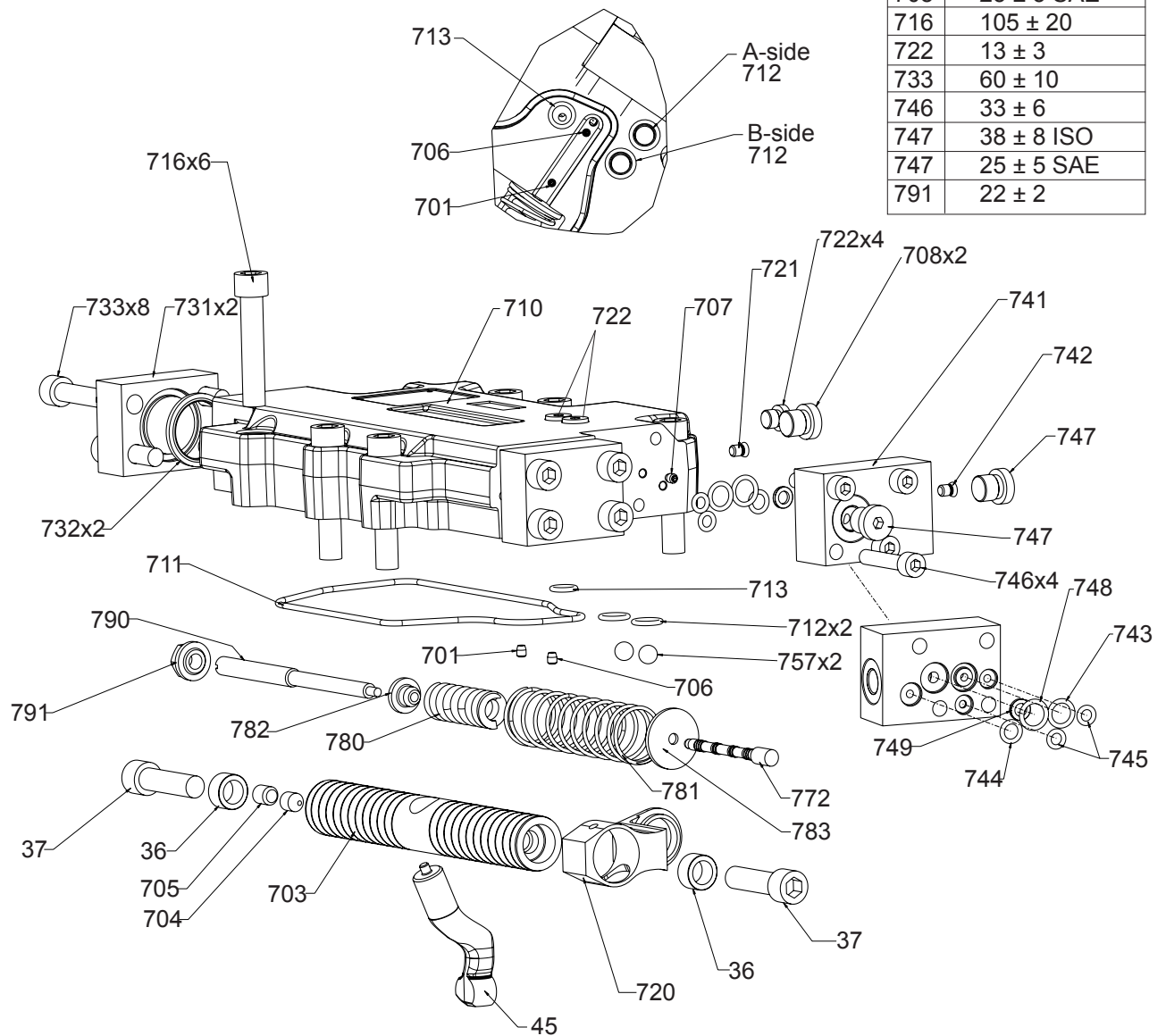


Splitview A-module



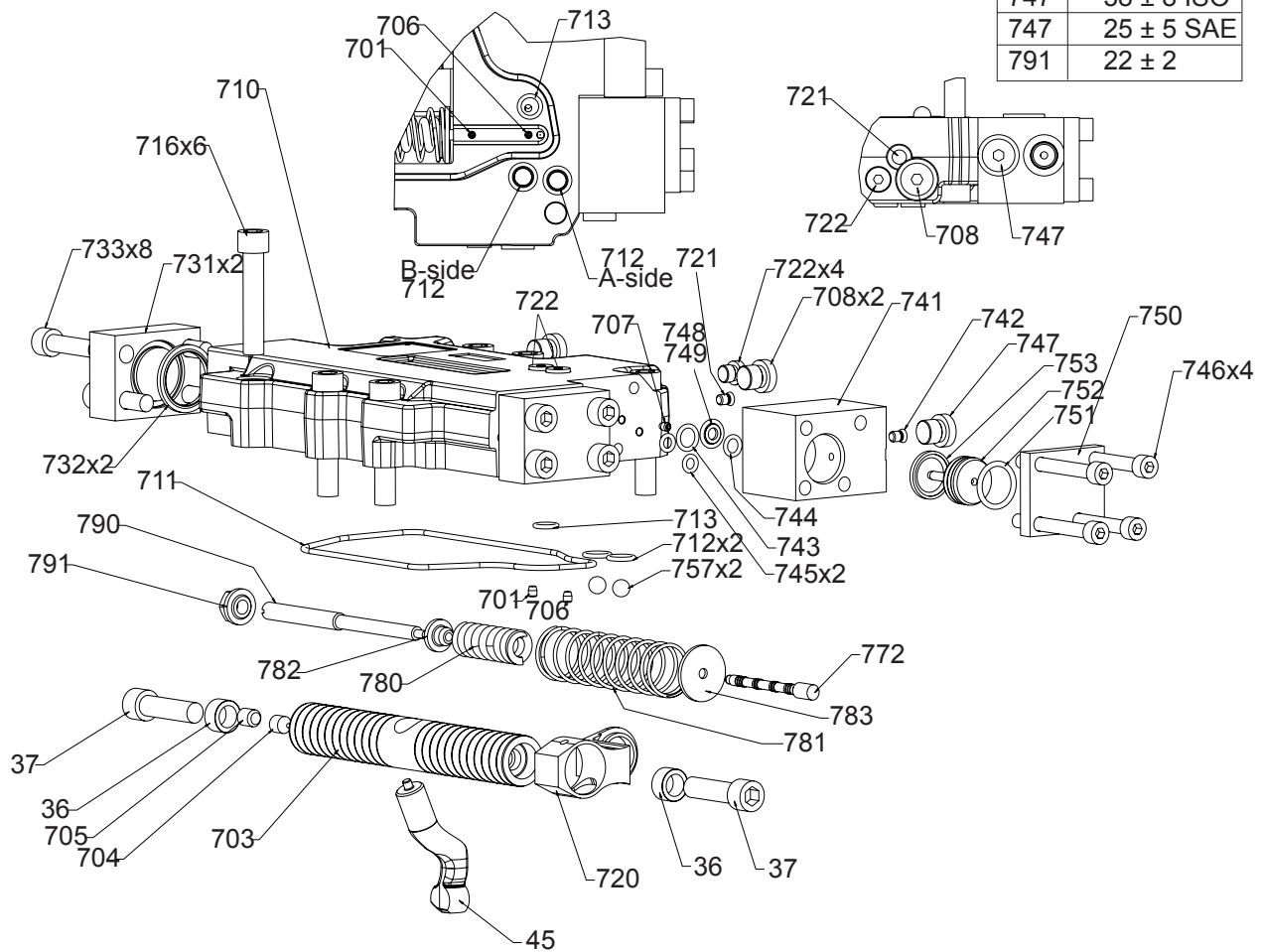
Splitview AC Control

Item	Torque(Nm)
37	105 ± 20
701	1.2 ± 0.2
704	14 ± 4
705	26 ± 6
706	1.2 ± 0.2
707	1.2 ± 0.2
708	38 ± 8 ISO
708	25 ± 5 SAE
716	105 ± 20
722	13 ± 3
733	60 ± 10
746	33 ± 6
747	38 ± 8 ISO
747	25 ± 5 SAE
791	22 ± 2



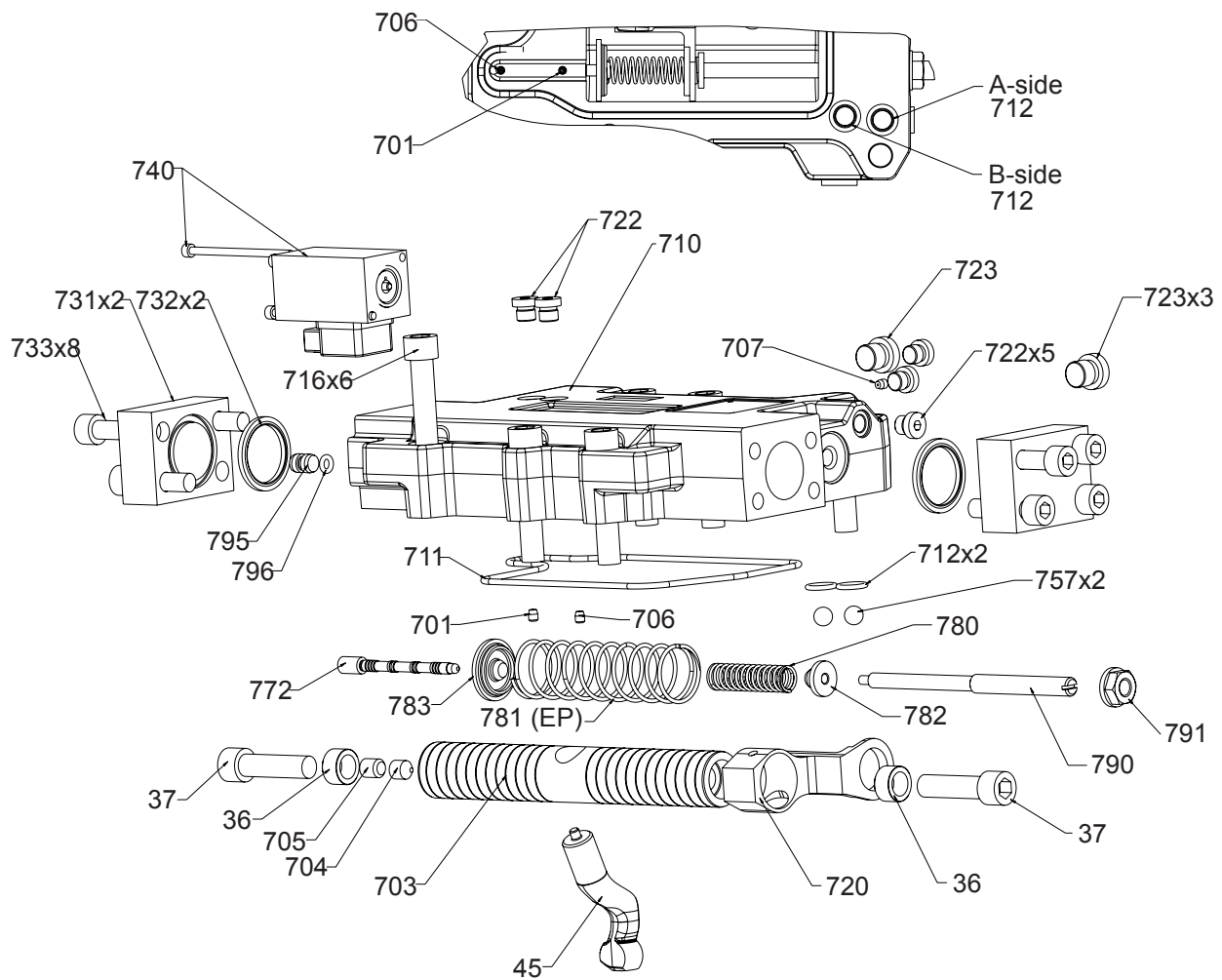
Splitview AH Control

Item	Torque (Nm)
37	105 ± 20
701	1.2 ± 0.2
704	14 ± 4
705	26 ± 6
706	1.2 ± 0.2
707	1.2 ± 0.2
708	38 ± 8 ISO
708	25 ± 5 SAE
716	105 ± 20
722	13 ± 3
733	60 ± 10
746	33 ± 6
747	38 ± 8 ISO
747	25 ± 5 SAE
791	22 ± 2



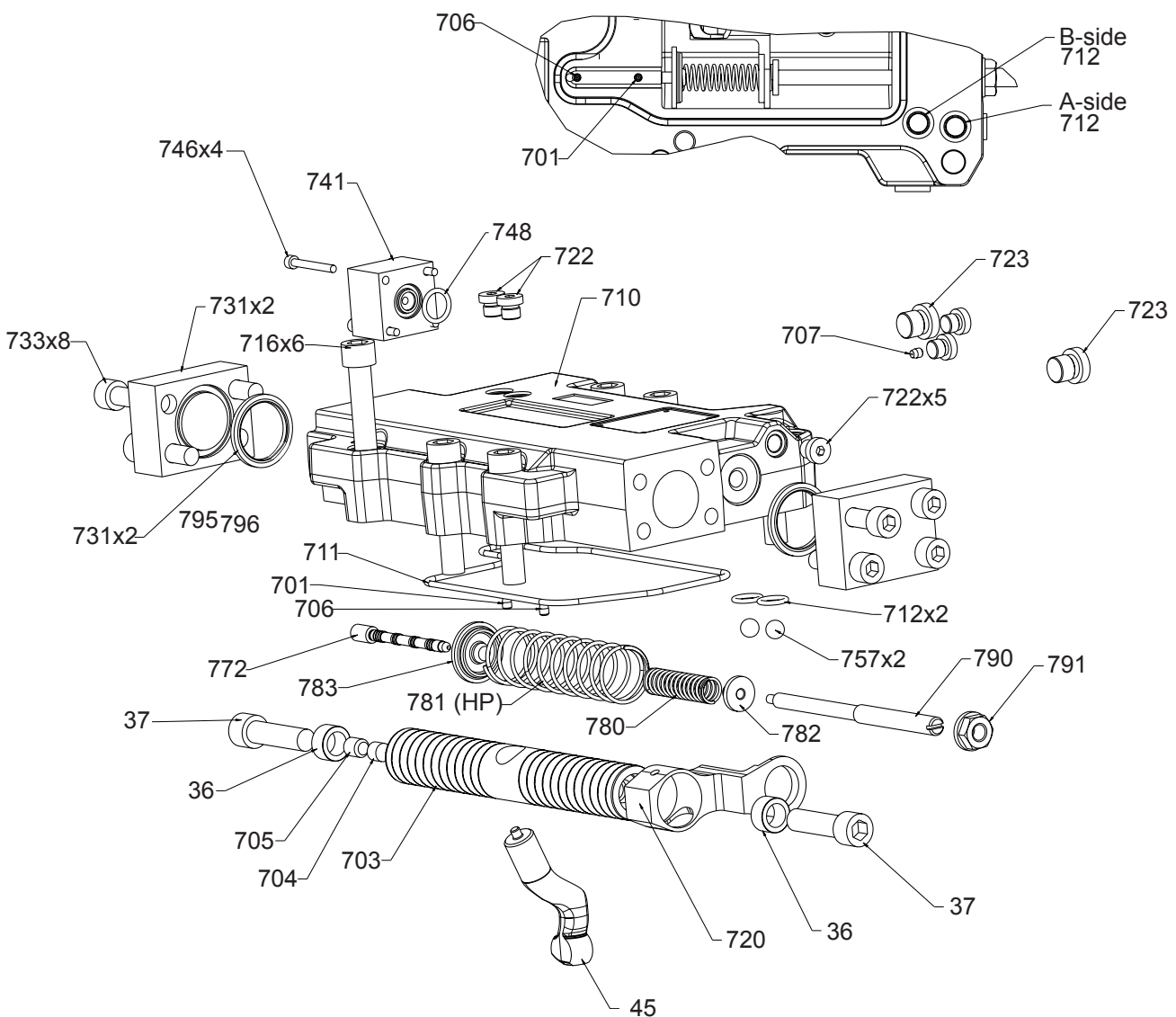
Splitview EP/EO Control

Item	Torque (Nm)
37	105 ± 20
701	1.2 ± 0.2
704	14 ± 4
705	26 ± 6
706	1.2 ± 0.2
707	1.2 ± 0.2
716	105 ± 20
722	13 ± 2
723	38 ± 8 ISO
723	25 ± 5 SAE
733	60 ± 10
740	3 ± 0.5
791	22 ± 2



Splitview HP/HO Control

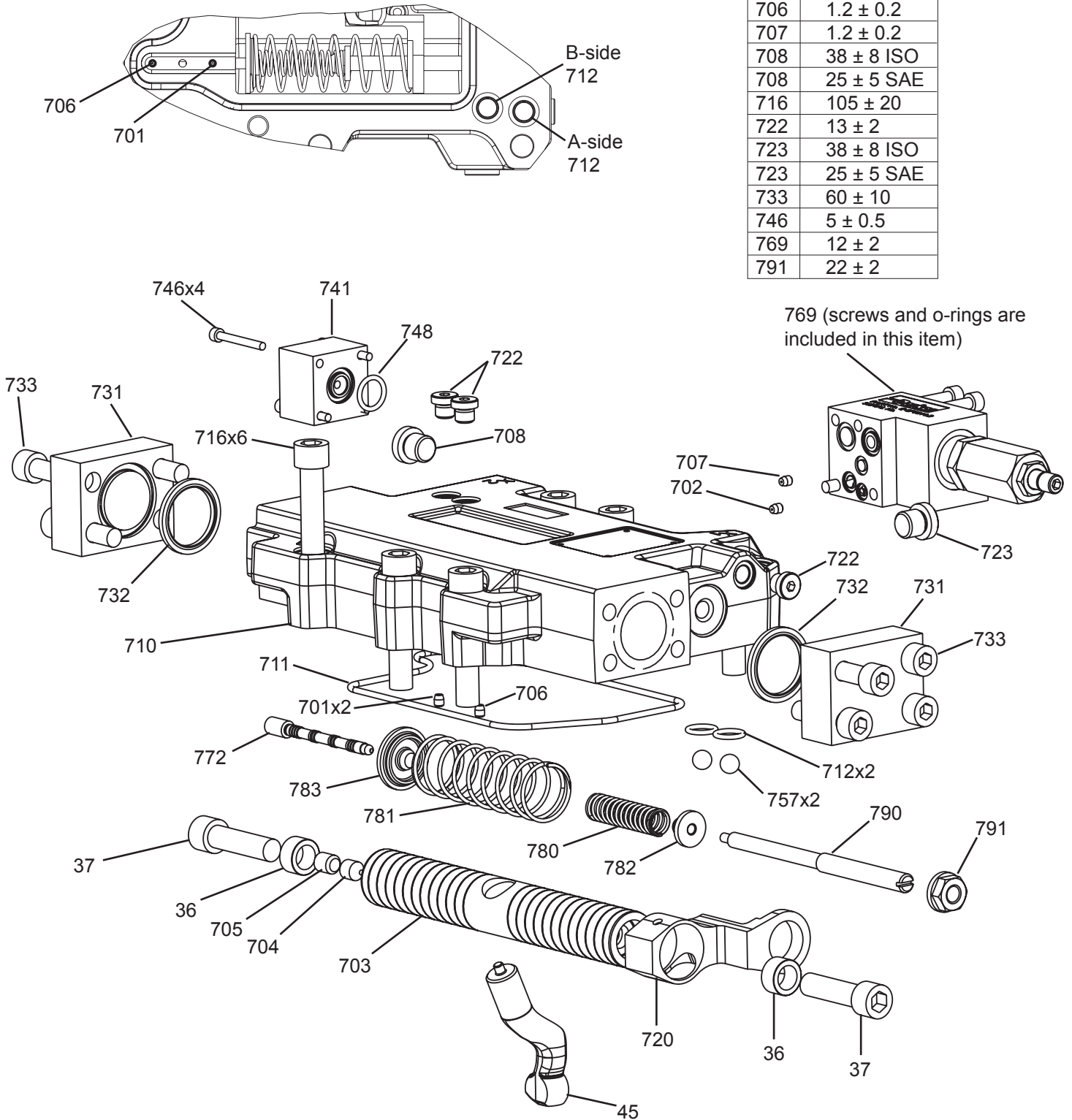
Item	Torque (Nm)
37	105 ± 20
701	1.2 ± 0.2
704	14 ± 4
705	26 ± 6
706	1.2 ± 0.2
707	1.2 ± 0.2
708	38 ± 8 ISO
708	25 ± 5 SAE
716	105 ± 20
722	13 ± 2
723	38 ± 8 ISO
723	25 ± 5 SAE
733	60 ± 10
746	5 ± 0.5
791	22 ± 2





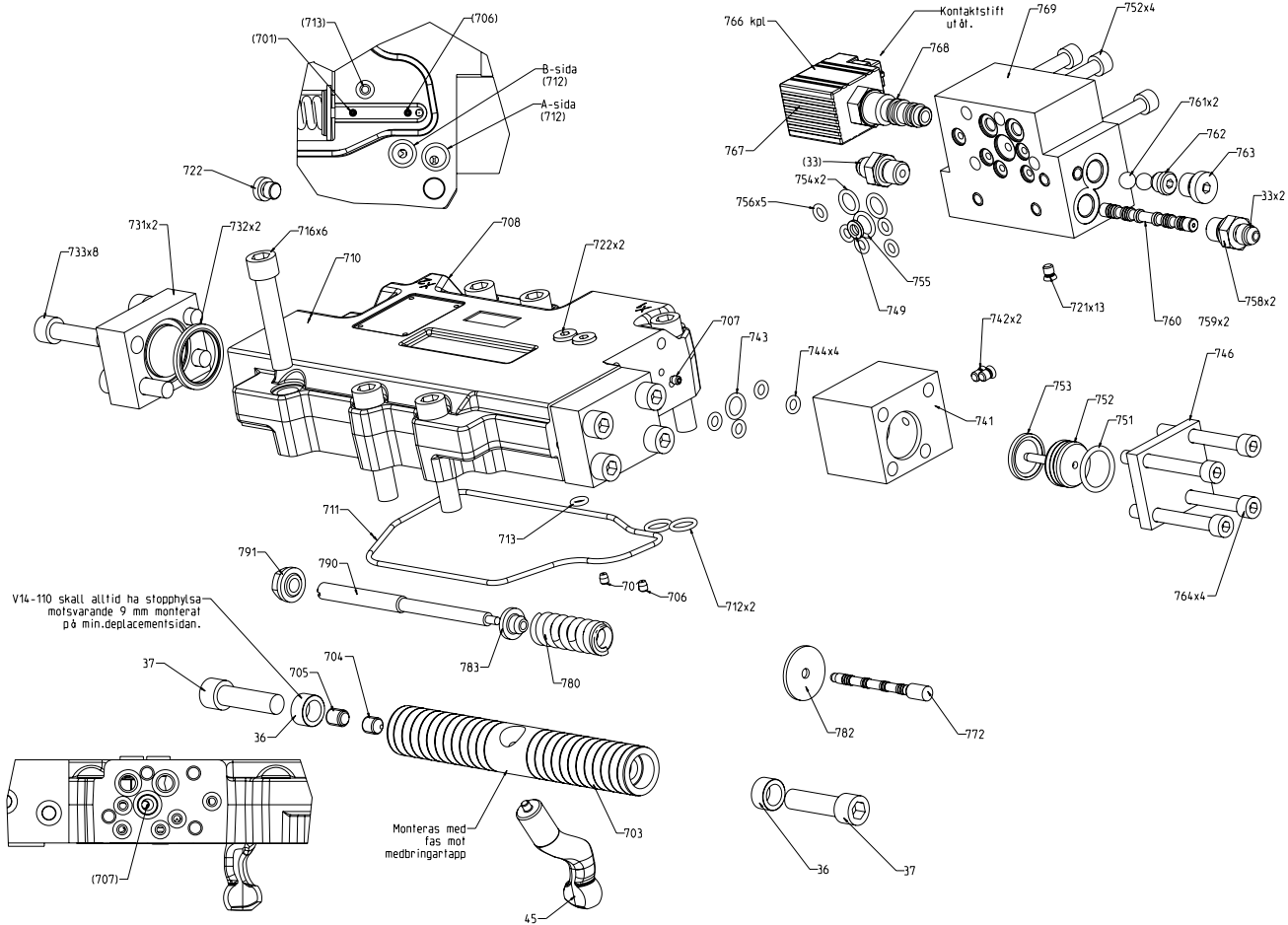
Splitview HPC Control

Item	Torque (Nm)
37	105 ± 20
701	1.2 ± 0.2
702	1.2 ± 0.2
704	14 ± 4
705	26 ± 6
706	1.2 ± 0.2
707	1.2 ± 0.2
708	38 ± 8 ISO
708	25 ± 5 SAE
716	105 ± 20
722	13 ± 2
723	38 ± 8 ISO
723	25 ± 5 SAE
733	60 ± 10
746	5 ± 0.5
769	12 ± 2
791	22 ± 2



Splitview ADH Control

Item	Torque (Nm)
37	105 ± 20
701	1.2 ± 0.2
704	14 ± 4
705	26 ± 6
706	1.2 ± 0.2
707	1.2 ± 0.2
708	38 ± 8 ISO
708	25 ± 5 SAE
716	105 ± 20
722	13 ± 2
733	60 ± 10
752	40 ± 8
763	38 ± 8 ISO
763	25 ± 5 SAE
764	40 ± 8
766	3,4 ± 0,5
768	31 ± 6
791	22 ± 2



**Spare Part Kits for V14-110/160**

Items included in the Seal Kit.  
221, 225, 227, 233, 482, 711, 712, 713,  
732, 743, 744, 745, 748, 749, 751, 753,  
754, 755, 756, 759, 791

Unit	Part no.
V14-110/160	3782299

Items included in Stop Washer Kit A.  
36

Unit	Part no.
V14-110	3782305
V14-160	3782305

For piston ring kits see SI 08/02

Control	Part no.
HPC assy, item 769	3787924

**Parts Specification**

Item	Description 110/160
36	Stop Washer
221	O-ring 144,5*3 V70 / 168*3 V70
225	O-ring 114,5*3 V80
227	O-ring 192*4 V70 (only cartridge)
233	Shaft Seal 60*80*7
311	Shaft type C
411	Cylinder Barrel
413	Guide Pin
415	Needle Bearing HK 2526 / HK 3026
424	Sliding Plate
433	Compression Spring
434	Guide Pin
440	Piston Assy
447	Joint Shaft
448	Joint Roller
449	Support Pin
451	Spring Pin 8*30 / 10*35
453	Pin 4,5*28 / 5,6*34
454	Retaining Ring JV 40 / SGH 45
455	Joint Coupling
476	Spacer Washer
482	O-ring 197*3 V80 / 224*3 V80
711	O-ring 162*3 V70
712	O-ring 12,3*2,4 V90
713	O-ring 6,3*2,4 V80 AD
713	O-ring 10,3*2,4 V80 AH/AC
732	Flange Sealing SAE 1"
743	O-ring 11,3*2,4 V80
744	O-ring 6,3*2,4 V80 AD
744	O-ring 8,3*2,4 V90 AH/AC
745	O-ring 6,3*2,4 V80 AH/AC
748	O-ring 12,3*2,4 V90 AH/AC
748	O-ring 14,3*2,4 V80 HO/HP
749	Filter
751	O-ring 22,2*3 V90
753	Piston Seal Assy
754	O-ring 10,3*2,4 V80
755	O-ring 12,3*2,4 V90
756	O-ring 6,3*2,4 V80
759	Seal Washer M14
769	HPC assy
791	Seal Nut M10*1



Parker Hannifin  
Pump and Motor Division  
Flygmotorvägen 2  
SE-461 82 Trollhättan  
Sweden  
Tel: +46 (0)520 40 45 00  
Fax: +46 (0)520 371 05  
[www.parker.com](http://www.parker.com)