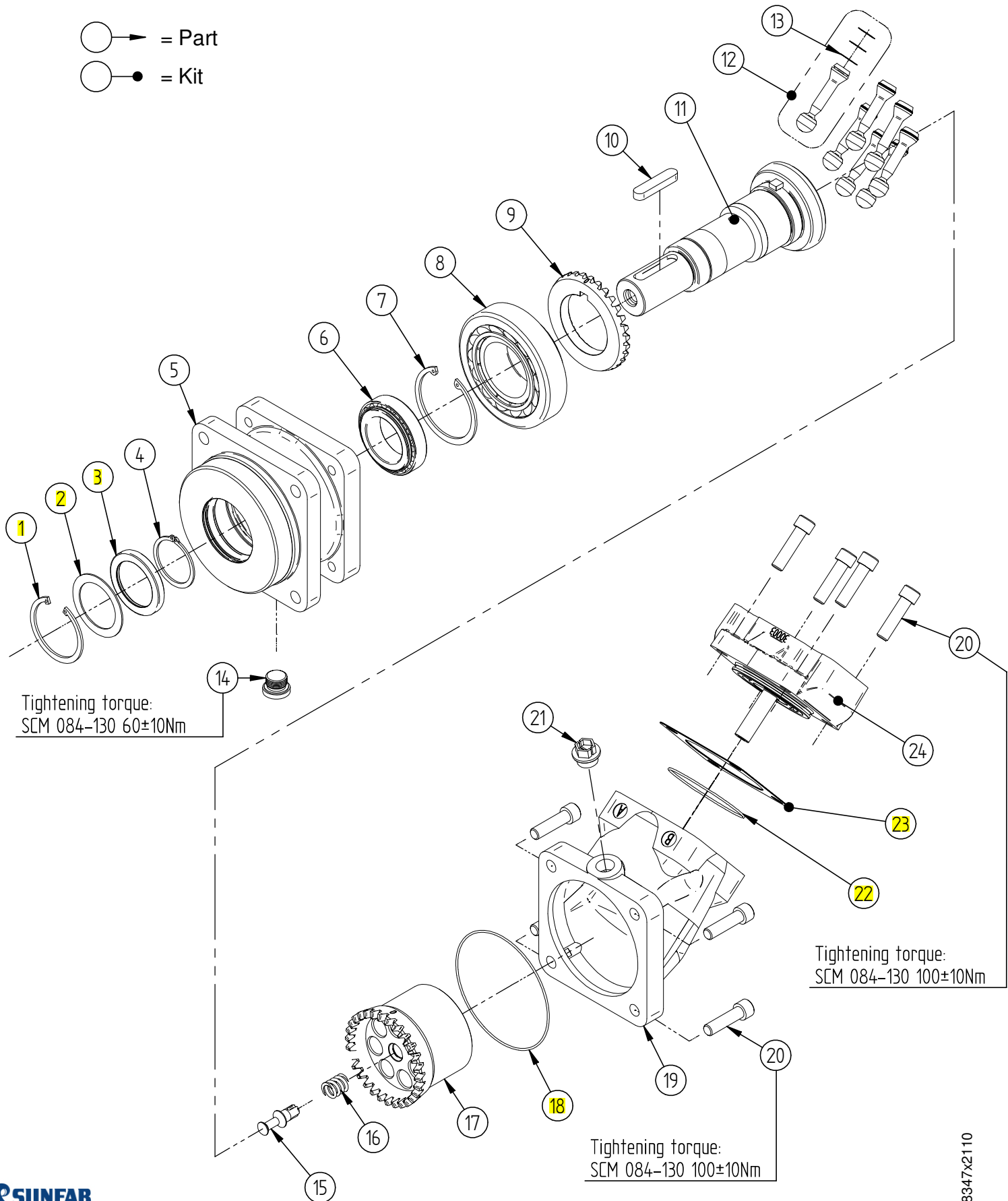




○ → = Part
○ ● = Kit





SCM 084-130 ISO Seal Kits

Part No.	Includes Items	Title	Type*
50584	1, 2, 3	Shaft seal kit SCM 084-130 ISO	N - Nitrile
50585	1, 2, 3	Shaft seal kit SCM 084-130 ISO	H - Nitrile, High pressure
50586	1, 2, 3	Shaft seal kit SCM 084-130 ISO	V - Viton, High temperature
50986	1, 2, 3	Shaft seal kit SCM 084-130 ISO	P - FPM, High temp./pressure
50590	1, 2, 3, 18, 22, 23	Seal kit SCM 084-130 ISO	N - Nitrile
50591	1, 2, 3, 18, 22, 23	Seal kit SCM 084-130 ISO	H - Nitrile, High pressure
50592	1, 2, 3, 18, 22, 23	Seal kit SCM 084-130 ISO	V - Viton, High temperature
50987	1, 2, 3, 18, 22, 23	Seal kit SCM 084-130 ISO	P - FPM, High temp./pressure

*For different types, see datasheet at <http://www.sunfab.com> or contact Sunfab