



# Torqmotor™

Series

TE / TJ / TF / TL / TG / TH / TK

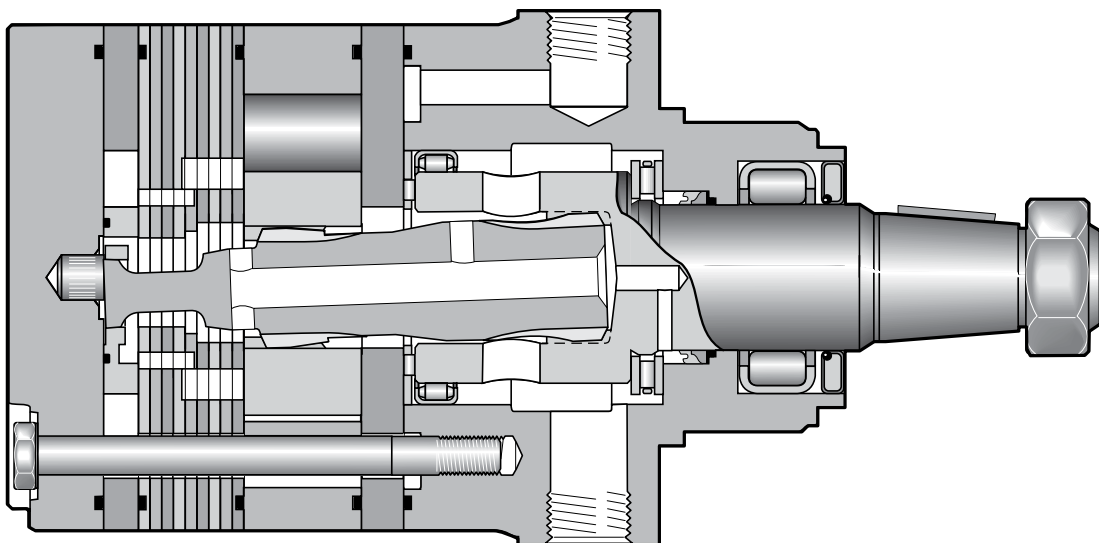


[parker.com/pmde](https://parker.com/pmde)



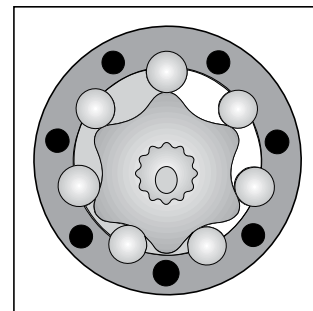
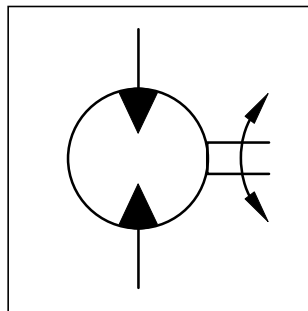
ENGINEERING YOUR SUCCESS.

- **Langsamlaufender Gerotor-Motor**
  - **Spezielle Orbital-Steuerung**  
Geringe interne Leckage  
Hoher volumetrischer Wirkungsgrad
  - **Rollen im Rotorsatz**  
Reduzierte Reibung  
Lange Lebensdauer
  - **Patentierter Hochdruckwellendichtung**  
Keine Leckölleitung  
Keine Rückschlagventile
  - **Vielzahl von Varianten**  
Großer Einsatzbereich
- **Low Speed Gerotor Motor**
  - **Zero leak commutation valve**  
For greater, more consistent volumetric efficiency
  - **Roller vane rotor set**  
Reduces friction and internal leakage  
Maintaining efficiency throughout the life of the motor
  - **A patented high-pressure shaft seal**  
No check valves needed  
No extra plumbing
  - **Wide choice of displacement range, flange and shaft options**  
Greater efficiency in systems design to suit your application
- **Moteur lent système Gerotor**
  - **Une distribution orbitale particulière assure**  
fuites internes minimales  
rendements volumétriques élevés
  - **Le rotor à rouleaux**  
réduit les frottements  
augmente la durée de vie
  - **Par l'utilisation de joints d'arbre haute pression brevetés**  
pas de conduite de drainage  
pas de clapets anti-retour
  - **Grâce à de nombreuses variantes**  
larges domaines d'application
- **Motore orbitale a bassa velocità**
  - **Una particolare distribuzione orbitale assicura**  
trafilamento ridotto  
elevato rendimento volumetrico
  - **Con lo statore a rullini**  
si riduce l'attrito interno  
si mantiene nel tempo l'efficienza del motore
  - **Una guarnizione di tenuta ad alta pressione brevettata elimina la necessità**  
di una linea di drenaggio esterna  
e di valvole di non ritorno
  - **Un'ampia gamma di cilindrata, flange ed alberi**  
consentono scelte adeguate ad ogni esigenza costruttiva



**Performance**

Drehzahl Speed Vitesse de rotation Velocità di rotazione	max. 750 rev/min
Schluckstrom Oil flow Débit d'huile Portata	max. 100 l/min
Eingangsdruck Supply pressure Pression entrée Pressione in entrata	max. 300 bar
Torque Couple Coppia	max. 920 Nm
Seitenlast Side load Charges latérales Carico radiale	max. 16.000 N See page 32

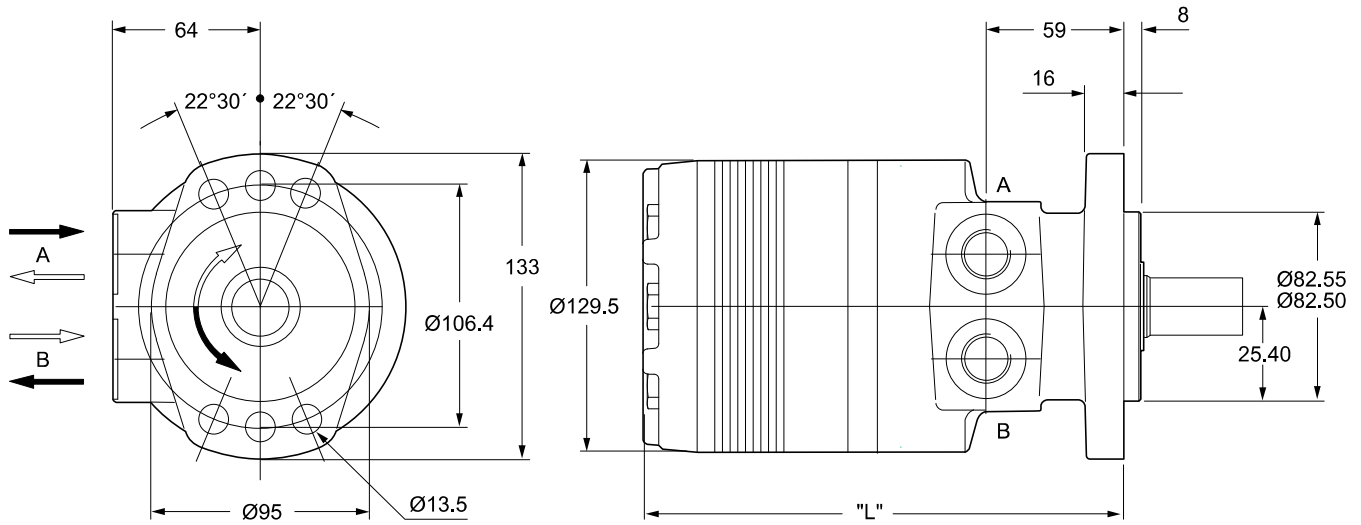


Motor series TF	Geom. Schluckvolumen Geometric displacement Cylindrée Cilindrata	Max. Drehzahl Max. speed Vitesse de rotation maxi Velocità di rotazione max	Max. Schluckstrom Max. oil flow Débit d'huile maxi Portata max	Max. Druckdifferenz ** Chute de pression maxi ** Caduta di pressione max **	Max. Eingangsdruck Max. supply pressure Pression maxi entrée Pressione max in entrata	Max. Drehmoment Max. torque Couple maxi Coppia max	Max. Leistungabgabe Max. performance Puissance de sortie max Potenza meccanica max	Min. Anlaufmoment Min. starting torque Couple min. fourni au démarrage Coppia min. di spunto
	[cm <sup>3</sup> /U] [cm <sup>3</sup> /rev]	cont / int* [U/min] [rev/min]	cont / int* [l/min]	cont / int* [bar]	max [bar]	cont / int* [Nm]	cont / int* [KW]	cont / int* [Nm]
TF 80	81	550/730	45/60	210/280	300	220/295	22	172/236
TF 100	100	600/750	60/75	160/240	300	200/320	25	168/252
TF 130	128	470/580	60/75	140/210	300	230/360	22	192/280
TF 140	141	370/530	60/75	140/210	300	250/390	22	197/308
TF 170	169	355/440	60/75	140/210	300	320/490	23	264/388
TF 195	197	300/380	60/75	140/210	300	365/560	22	304/448
TF 240	238	320/420	75/100	140/210	300	430/670	28	368/548
<b>TF 280</b>	<b>280</b>	<b>270/350</b>	<b>75/100</b>	<b>140/210</b>	<b>300</b>	<b>550/800</b>	<b>28</b>	<b>440/672</b>
TF 360	364	200/260	75/100	130/190	300	590/910	24	517/779
TF 405	405	170/230	75/100	130/175	300	660/920	22	575/789
TF 475	477	150/200	75/100	115/140	300	680/850	17	603/740

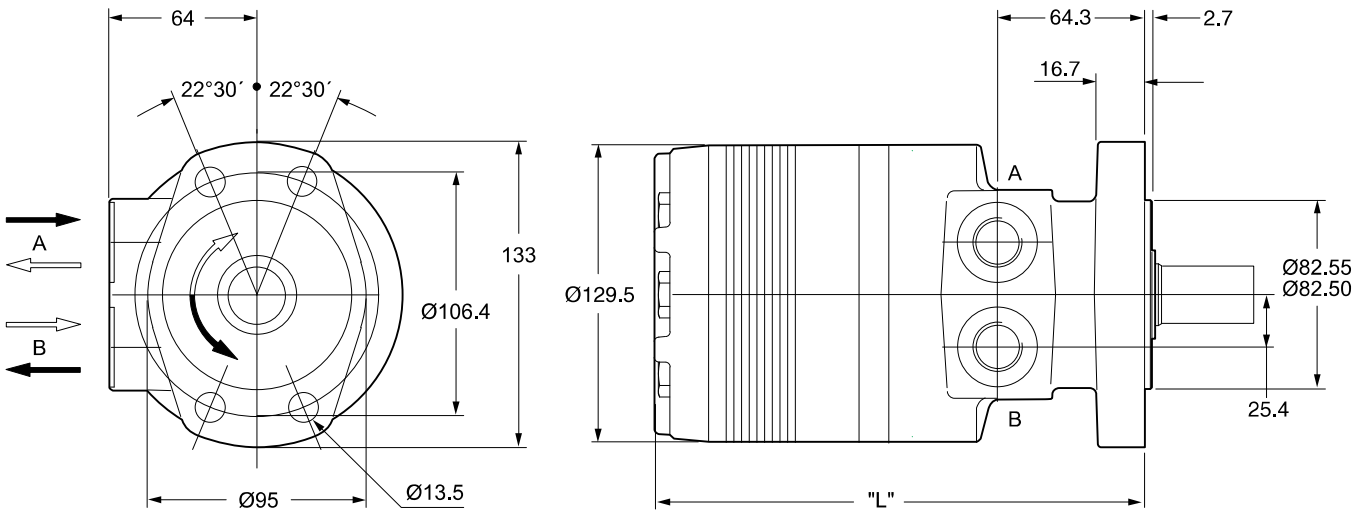
\*int. =  
Intermittierende Werte maximal: 10% von jeder Betriebsminute.  
Intermittent operation rating applies to 10% of every minute.  
Fonctionnement interm.: 10% max. de chaque minute d'utilisation.  
Servizio intermittente: 10% max di ogni minuto di utilizzazione.

\*\* Druckdifferenz Δp zwischen Ein- und Ausgang  
\*\* Pressure difference is Δp between input and output  
\*\* La différence de pression est Δp entre l'entrée et la sortie  
\*\* La differenza di pressione corrisponde al Δp tra ingresso e uscita

**Code E**



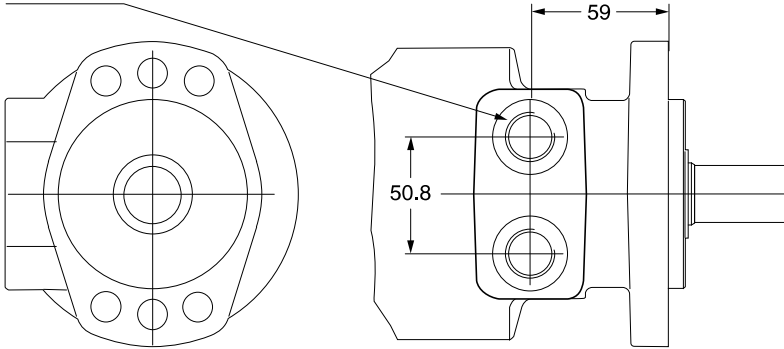
**Code M**



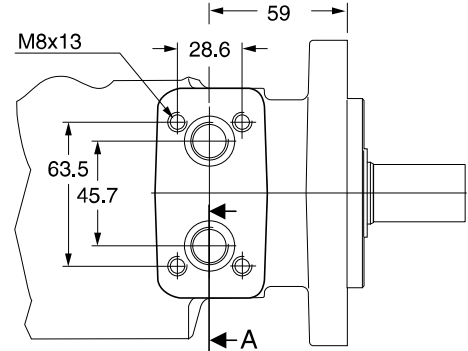
Gewicht / Weight	TF80	TF100	TF130	TF140	TF170	TF195	TF240	TF280	TF360	TF405	TF475
Poids / Peso [kg]	13.6	13.7	13.9	14.0	14.2	14.7	15.0	15.5	16.0	16.5	17.5
Code E "L" [mm]	186	186	189	191	194	197	202	207	215	220	229
Code M "L" [mm]	191	191	194	196	199	202	208	212	220	225	234

**Code W**

G1/2 x 15

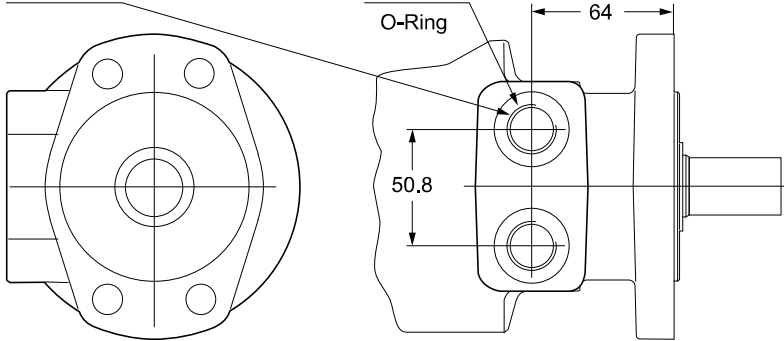


**Code N**



**Code W**

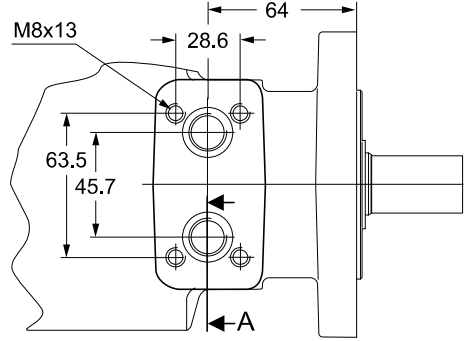
G1/2 x 15



**Code V**

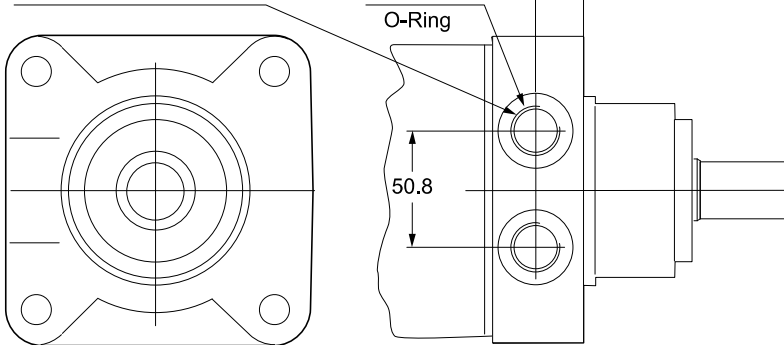
7/8-14UNF,  
 O-Ring

**Code N**



**Code W**

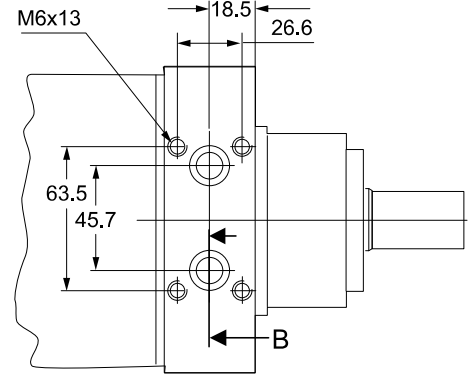
G1/2 x 15



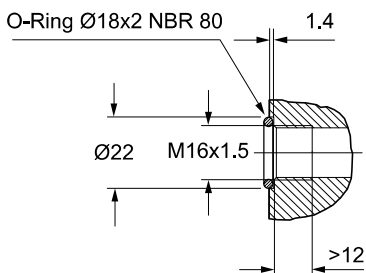
**Code V**

7/8-14UNF,  
 O-Ring

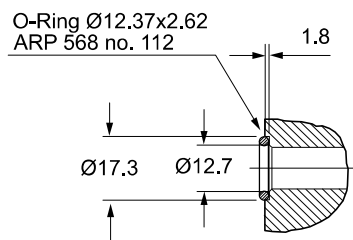
**Code K**



**Section A**



**Section B**



Zum Motor mit Universalanschluss werden 2 O-Ringe geliefert.

Motor with manifold mount is supplied with 2 O-rings.

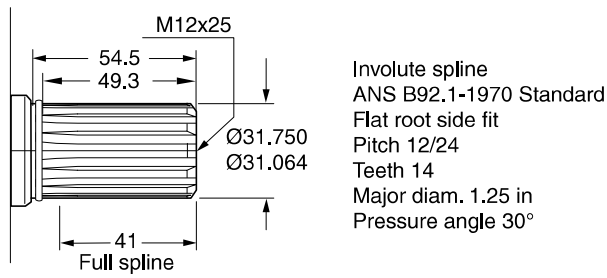
Deux joints toriques sont livrés avec les moteurs au plan de raccordement universel.

Il blocchetto connessioni è corredato da 2 OR.

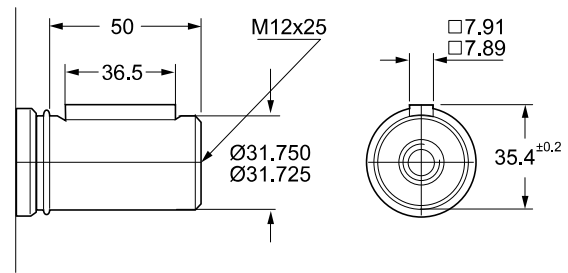
**Coupling Shafts**

**Torqmotor  
Series TF**

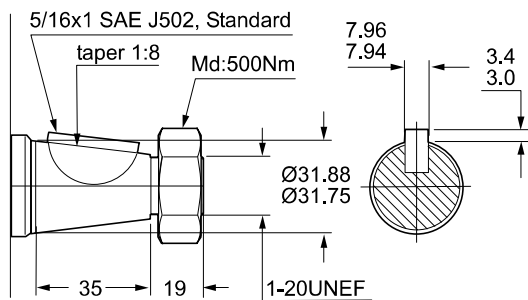
**Code 44**



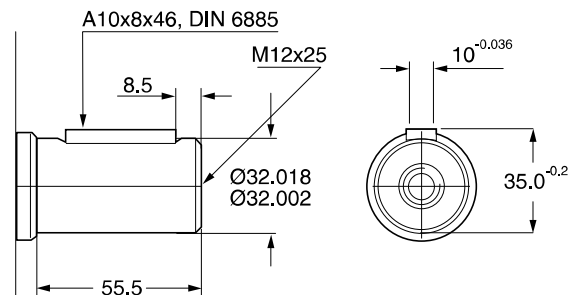
**Code 45**



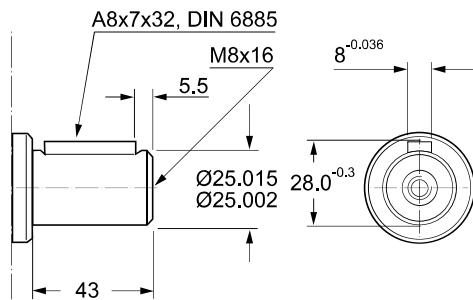
**Code 08**



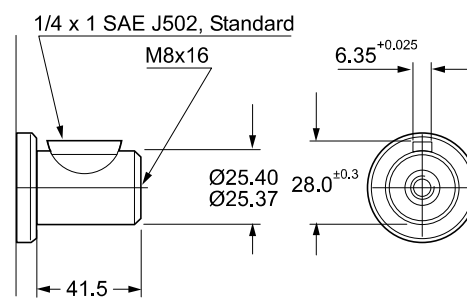
**Code 46**



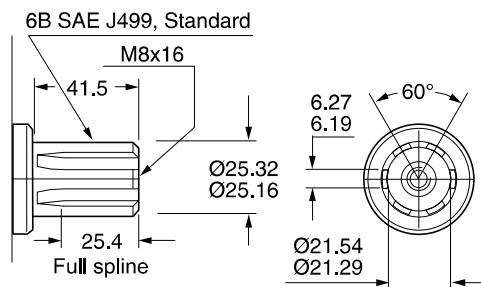
**Code 26**



**Code 47**



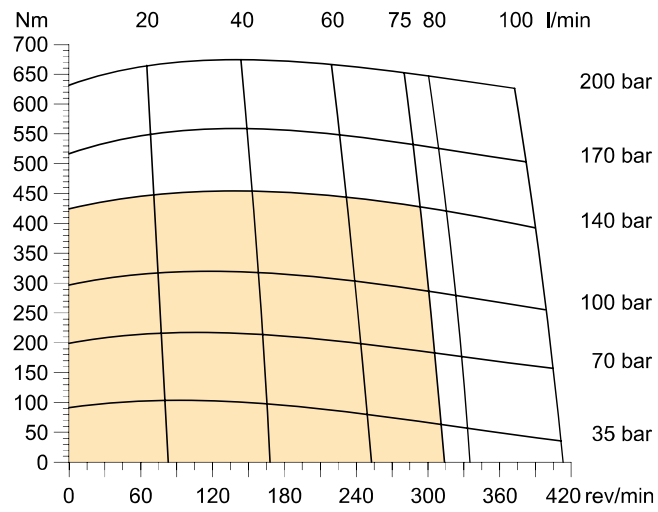
**Code 41**



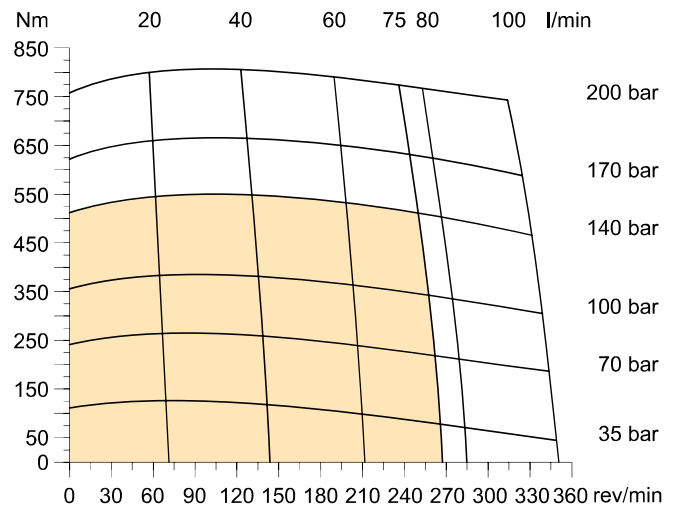
**Codes 26, 41, 47**

Abtriebswelle	Ø 25mm	Max. Moment cont./int.	} 450/550 Nm
Coupling shaft	Ø 1 inch	Max. torque cont./int.	
Arbre	6B SAE	Couple maxi cont./int.	
Albero		Coppia max cont./int.	

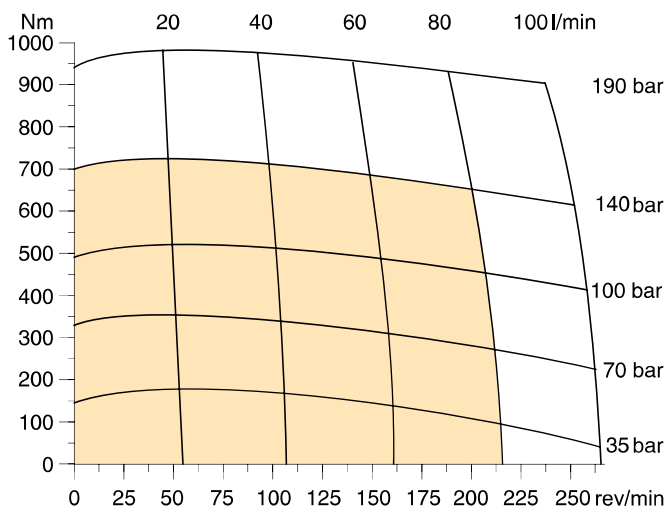
**TF 240**



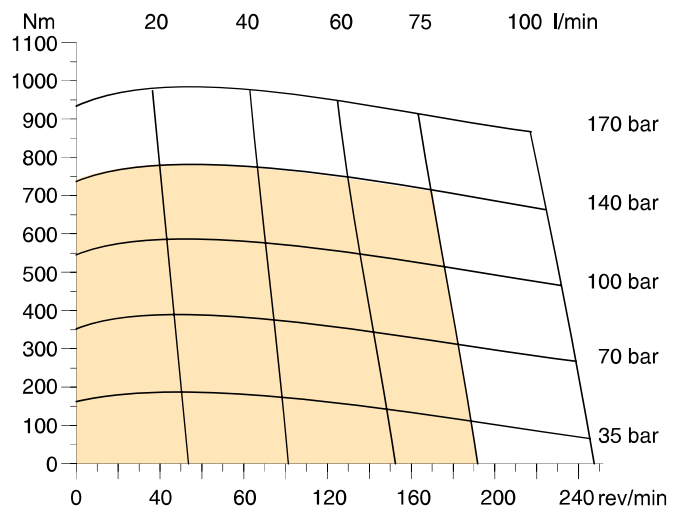
**TF 280**



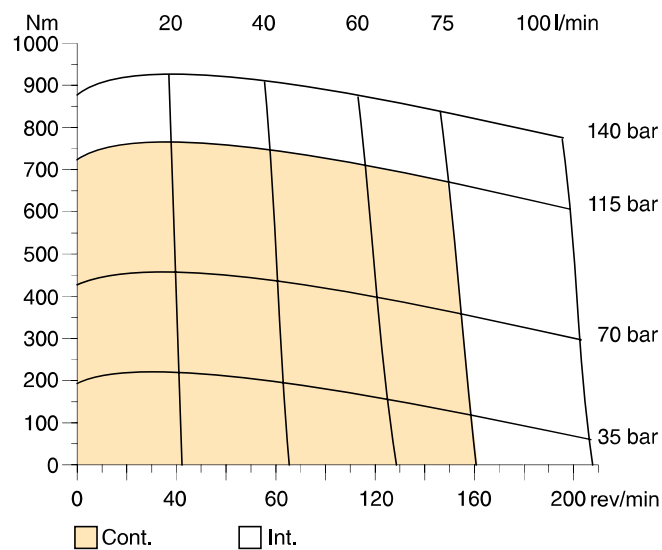
**TF 360**



**TF 405**



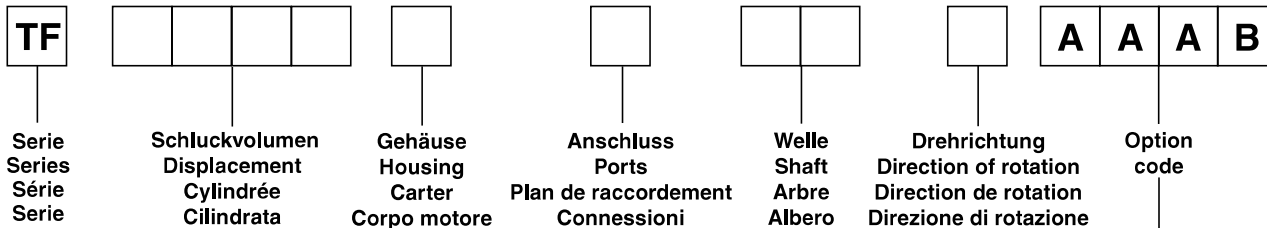
**TF475**



■ Cont.    □ Int.

int. =  
Intermittierende Werte maximal: 10% von jeder Betriebsminute.  
Intermittent operation rating applies to 10% of every minute.  
Fonctionnement interm.: 10% max. de chaque minute d'utilisation.  
Servizio intermittente: 10% max di ogni minuto di utilizzazione.

Ordering Code



Code	cm <sup>3</sup> /rev
0080	81
0100	100
0130	128
0140	141
0170	169
0195	195
0240	237
0280	280
0360	364
0405	405
0475	477

Code	Housing
E	
M	
H	
V <sup>1)</sup>	

<sup>1)</sup> Nur verfügbar mit Endanschluss  
Only possible with rear port  
Possible seulement avec orifice arrière  
Possible solo con connessioni Posteriori

Code	Front port
W	G 1/2
V	7/8-14 UNF O-Ring
N <sup>2)</sup>	Universal-M8x13
K <sup>3)</sup>	Universal-M6x12

<sup>2)</sup> Nicht verfügbar für Gehäuse "H"  
Not possible for housing "H"  
Pas disponible pour carter "H"  
Non disponibile con il corpo codice "H"  
<sup>3)</sup> Nicht verfügbar für Gehäuse "M, E, V"  
Not possible for housing "M, E, V"  
Pas disponible pour carter "M, E, V"  
Non disponibile con il corpo codice "M, E, V"

Code	Rear port
Y	G 1/2 Axial
A	7/8-14 UNF Axial
X	G 1/2 Radial
B	7/8-14 UNF Radial
L	Universal Radial M8x13

For further options different to standard 'AAAB' see page 80

Code	Front port
0	 Standard
1	

Code	Rear port
0	 Standard
1	

Code	Shaft
26 <sup>4)</sup>	25
47 <sup>4)5)</sup>	25.4
41 <sup>4)5)</sup>	6B SAE
44	Pitch 12/24
45	31.75
08	
46	32

4) Codes 26, 41, 47  
Abtriebswelle ø 25 mm Max. Moment cont./int. 450/550 Nm  
Coupling shaft ø 1 inch Max. torque cont./int. 450/550 Nm  
Arbre 6B SAE Couple maxi cont./int. 450/550 Nm  
Albero Coppia max cont./int. 450/550 Nm

5) ≤TF0280



**Option Codes**

Option Code	Description	Series	TE/TJ	TF	TL	TG	TH	TK
AAAA	black paint		x	x	x	x	x	x
AAAB	standard (no paint)		x	x	x	x	x	x
AAAH	FPM seals (no paint)		x	x		x	x	x
AABP	castle nut (no paint)		x	x		x	x	x
AAFX	shuttle valve			x		x	x	
BBBF	internal relief valve 200bar			x		x	x	
BBBJ	internal relief valve 100bar			x		x	x	
BBBM	internal relief valve 70bar			x		x	x	
BBBN	internal relief valve 140bar			x		x	x	
BBCG	internal relief valve 170bar			x		x	x	
HAAF	external relief valve 100bar (M6)			x		x		
HAAP	external relief valve 100bar (M8)		x	x		x	x	
HAAH	external relief valve 140bar (M6)			x		x		
HAAU	external relief valve 140bar (M8)		x	x		x	x	
HAAK	external relief valve 170bar (M6)			x		x		
HAAX	external relief valve 170bar (M8)			x		x	x	
HAAM	external relief valve 200bar (M6)			x		x		
HABA	external relief valve 200bar (M8)			x		x	x	
FSAB	Speedsensor		X	x		x		
FSAA	Speedsensor + black paint		x	x		x		
FSAN	Int Short Speed Sensor, 1500 psi Int Bidirectional Relief, No paint			x		x		