



General

Weight (MD4-7)	0.93 kg
Weight (MD4-5)	0.67 kg
Weight (MD4-10)	1.5 kg
Operating temperature	-30 °C to 70 °C
Storage temperature	-40 °C to 85 °C
Protection	IP65
Voltage supply	9-32 Vdc
Current consumption (idle)	300 mA (28Vdc) 600 mA(14Vdc)
CE marking	2004/108/EC

Performance

Processor	ARM Cortex-A8, (800 MHz)
Memory	2 Gbyte Flash, 256 Mbyte SDRAM
Logging	64 Mb
Cycle time	10 to 100 ms
Software tools	IQANdesign platform

Communication interface

CAN (ISO 11898)	4 (2) ²
Protocols	ICP, SAE J1939, generic
Ethernet 100Base-Tx	2 (1) ^{1,2}

Display

Touch Interface	PCAP ²
7" (18 cm) display	16:9, 800x480 pixels
5.7" (14 cm) display	4:3, 640x480 pixels
10.1" (26 cm) display	4:3, 800x600 pixels

Connection

Electrical connection	2x Deutsch DTM, 12 pos
Ethernet	2 x M12, D-code, 4 pos

Outputs

Digital outputs	4 ³
Type	Low side
Max load, 1 output	300 mA
Max load, all outputs	850 mA

Inputs

Voltage inputs	2 ³
Signal range	0 - 5 Vdc, 12 bit
Digital inputs	10 ³
Encoder input	1 ³
Signal range	0 - 500 Hz, 50/50 signal

- 1) Ethernet port A dedicated for PC diagnostics.
- 2) Depending on configuration.
- 3) The outputs and inputs share the same physical pins. The user defines the channels/pins with IQANdesign.

Application

The IQAN-MD4 is a family of master display units, fully compliant with the IQANdesign platform system. The units have full graphical, diagnostic and CAN gateway capability and are used together with the easy to use IQAN programing tools.

IQAN-MD4-7 is offered with a 7" (18 cm) display with touch screen, IQAN-MD4-10 has a 10.4" (26 cm) display with touch screen and the IQAN-MD4-5 has a 5.7" (14 cm) display with optional touchscreen. The IQAN-MD4 has a rugged mechanical design and is completely sealed. The use of optical bonded display glass improves the readability, avoids light refraction and also eliminates possible condensation.

The display units have a pleasing, aesthetic design that blends with modern cabins. A touchscreen interface is offered for interactive, intuitive HMI (code T1). The IQAN-MD4 also has IP-camera support (code E2). There is no need for separate camera monitors.

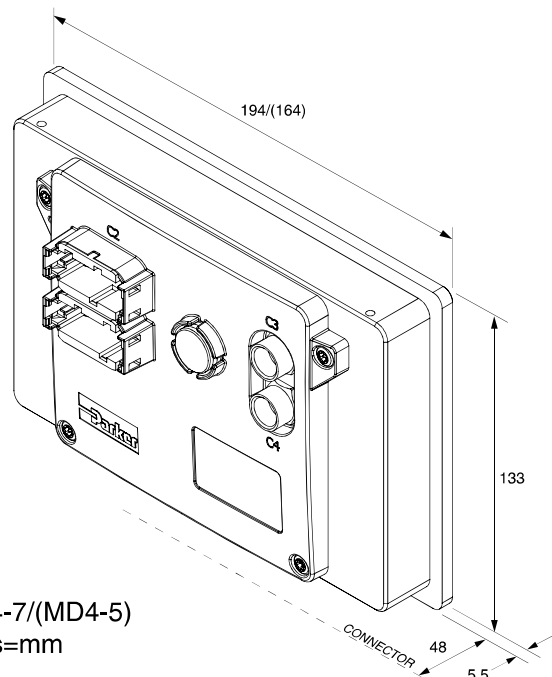
Mounting is easy, with steel clips for a well integrated, flush mount in cabin panels, or the back of the unit has an optional stand-alone bracket compatible with RAM™ mount components. The MD4 may be mounted in landscape or portrait orientation for easy integration of HMI or mechanics.

Description

IQAN-MD4-7-T1E2
IQAN-MD4-5-T0E1
IQAN-MD4-5-T1E2
IQAN-MD4-10-T1E2

Ordering PN

20077771
20077772
20077773
20077774



MD4-7/(MD4-5)
units=mm