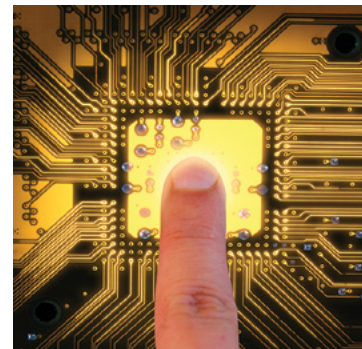


IQAN-XC4 Expansion Module Family

Electronic Control Systems



ENGINEERING YOUR SUCCESS.

IQAN-XC4

Efficiency in focus – throughout the entire machine life cycle

The IQAN-XC4 is a new family of expansion modules in the IQANdesign platform, and used together with the IQAN master modules. There are 4 versions that can be used in different ways to meet the requirements of any system.

- XC41 small-size I/O distribution
- XC42 mid-size I/O distribution
- XC43 large-size I/O distribution
- XC44 large-size I/O distribution configured for on/off control

The XC4 family of expansion modules share the same pinout, making it possible for easy up-/down-scaling of the application.

CAN

The XC4 modules use the IQAN proprietary protocol for connecting to the IQAN master.

The XC4 modules can run classic CAN or CAN-FD with speeds up to 500/2000 kbps. The modules have an auto-baud functionality for optimal bandwidth usage.

I/O

The XC4 family can support up to 50 inputs and 36 outputs (see the table).

Timer inputs include a mix of inputs with internal pull-up and pull-down, and are also configurable as digital inputs.

0-5 V analog inputs can be used with sensors supplied by the module VREF, as an external reference or configured as DIN.

The XC41, XC42 and XC43 have COUT proportional current outputs with CAM - a Parker Hannifin proprietary solution that uses a combination of high-side and low-side switch with current measurement, enabling fast and accurate closed loop current control.

- No tuning or tweaking CAM regulator circuit guarantees consistent performance on mobile valves
- Precision control with a resolution down to 1 mA, a must when there is a need for controlling precise crane movements
- Zero drift control provides the lowest possible output offset current and drift

Parker Hannifin's zero drift CAM offers initial offset current of less than 5 mA and almost immeasurable offset

current drift over time, temperature and load change.

General

Operating temperature -40 to 85°C
Storage temperature -40 to 105°C
Voltage supply 9 to 32 V

To meet the environment found in mobile machines the XC4 family uses the Molex MX123 high reliability connector system, which is made for harsh environment for high vibration applications.

The enclosure is rated IP66 + IP69K and is a rugged mechanical design, sealed for outdoor use.

The XC4 family has a CE certification according to EMC and ROHS 2 Directives.

Ordering PN

20085181

20085182

20085183

20085184

Description

IQAN-XC41

IQAN-XC42

IQAN-XC43

IQAN-XC44

Capabilities	XC41	XC42	XC43	XC44
Inputs total	18	18	50	50
Voltage inputs: 12-bit, 0 – 5 V	8	8	20	20
Voltage inputs: 12-bit, 0 – 32 V	2	2	2	2
Current-loop inputs: 13-bit, 0 – 20 mA	2	2	4	4
Timer inputs (Freq., PWM, Pulse): 0 – 50 KHz	6	6	6	6
Digital inputs	6	6	18	18
Outputs total	8	16	36	36
COUT (HS) ¹ : 100 – 2500 mA high-side	2 x 2	6 x 2	10 x 2	-
PWM outputs: 4 A high-side	4	4	8	8
COUT/Digital output (LS) ¹ : 2.5 A low-side	4	12	20	20 ²
Digital outputs: 4 A high-side	-	-	-	5
Digital outputs: 200 mA low-side	-	-	8	8
Network				
CAN	1	1	1	1

1) Denotes pins that are always used in combination with another pin.

2) Only digital outputs

Environmental protection

EMI

ISO 13766/ISO 14982 (radiated emission)
 EN 55025:2003 (conducted emission)
 ISO 11452-2:2004 (immunity vs EM field)
 ISO 11452-4:2005 (immunity vs injected RF)
 ISO 7637-2:2004 (immunity vs supply transients)
 ISO 7637-3:2007 (immunity vs supply transients)

Mechanical environment

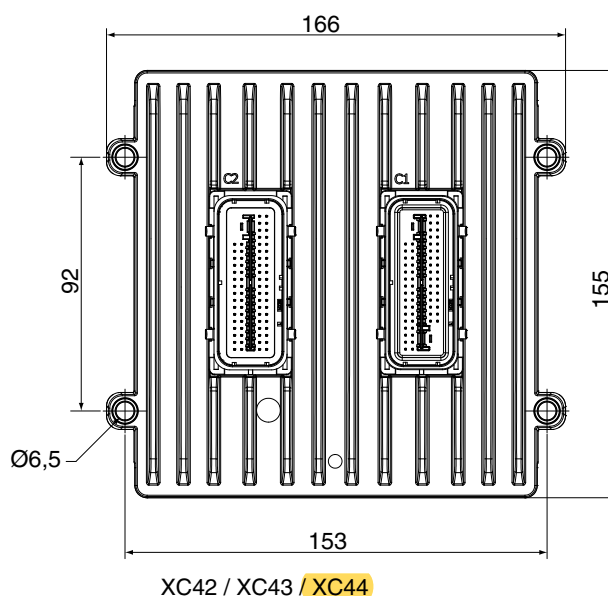
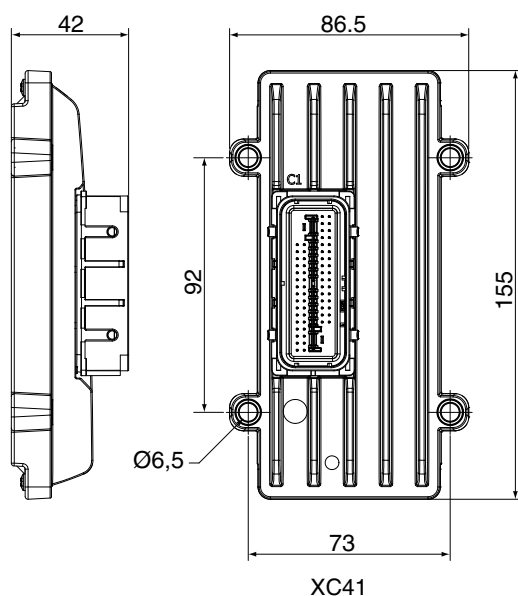
IEC 60068-2-64:2008 Fh (random)
 IEC 60068-2-27:2008 Ea (bump)

ESD

ISO 10605:2008 (external)

Climate environment

IEC 60529:2001 IP66 (dust, water)
 DIN 40050 Part 9:1993 IP6K9K (steam jet cleaning)
 IEC 60068-2-30:2005 Db (damp heat, cyclic)
 IEC 60068-2-78:2001 Cab (damp heat, steady state)
 IEC 60068-2-2:2007 Bb (heat)
 IEC 60068-2-1:1993 Ab (cold)
 IEC 60068-2-14:1984 Nb (change of temperature)
 IEC 60068-2-52:1996 Kb (salt mist, cyclic)



WARNING - USER RESPONSIBILITY

FAILURE OR IMPROPER SELECTION OR IMPROPER USE OF THE PRODUCTS DESCRIBED HEREIN OR RELATED ITEMS CAN CAUSE DEATH, PERSONAL INJURY AND PROPERTY DAMAGE.

This document and other information from Parker-Hannifin Corporation, its subsidiaries and authorized distributors provide product or system options for further investigation by users having technical expertise.

The user, through its own analysis and testing, is solely responsible for making the final selection of the system and components and assuring that all performance, endurance, maintenance, safety and warning requirements of the application are met. The user must analyze all aspects of the application, follow applicable industry standards, and follow the information concerning the product in the current product catalog and in any other materials provided from Parker or its subsidiaries or authorized distributors.

To the extent that Parker or its subsidiaries or authorized distributors provide component or system options based upon data or specifications provided by the user, the user is responsible for determining that such data and specifications are suitable and sufficient for all applications and reasonably foreseeable uses of the components or systems.

Parker Worldwide

Europe, Middle East, Africa

AE – United Arab Emirates,
Dubai

Tel: +971 4 8127100
parker.me@parker.com

AT – Austria, St. Florian

Tel: +43 (0)7224 66201
parker.austria@parker.com

AZ – Azerbaijan, Baku

Tel: +994 50 2233 458
parker.azerbaijan@parker.com

BE/NL/LU – Benelux,

Hendrik Ido Ambacht
Tel: +31 (0)541 585 000
parker.nl@parker.com

BG – Bulgaria, Sofia

Tel: +359 2 980 1344
parker.bulgaria@parker.com

BY – Belarus, Minsk

Tel: +48 (0)22 573 24 00
parker.poland@parker.com

CH – Switzerland, Etoy

Tel: +41 (0)21 821 87 00
parker.switzerland@parker.com

CZ – Czech Republic, Klecany

Tel: +420 284 083 111
parker.czechrepublic@parker.com

DE – Germany, Kaarst

Tel: +49 (0)2131 4016 0
parker.germany@parker.com

DK – Denmark, Ballerup

Tel: +45 43 56 04 00
parker.denmark@parker.com

ES – Spain, Madrid

Tel: +34 902 330 001
parker.spain@parker.com

FI – Finland, Vantaa

Tel: +358 (0)20 753 2500
parker.finland@parker.com

FR – France, Contamine s/Arve

Tel: +33 (0)4 50 25 80 25
parker.france@parker.com

GR – Greece, Piraeus

Tel: +30 210 933 6450
parker.greece@parker.com

HU – Hungary, Budaörs

Tel: +36 23 885 470
parker.hungary@parker.com

IE – Ireland, Dublin

Tel: +353 (0)1 466 6370
parker.ireland@parker.com

IL – Israel

Tel: +39 02 45 19 21
parker.israel@parker.com

IT – Italy, Corsico (MI)

Tel: +39 02 45 19 21
parker.italy@parker.com

KZ – Kazakhstan, Almaty

Tel: +7 7273 561 000
parker.easteurope@parker.com

NO – Norway, Asker

Tel: +47 66 75 34 00
parker.norway@parker.com

PL – Poland, Warsaw

Tel: +48 (0)22 573 24 00
parker.poland@parker.com

PT – Portugal

Tel: +351 22 999 7360
parker.portugal@parker.com

RO – Romania, Bucharest

Tel: +40 21 252 1382
parker.romania@parker.com

RU – Russia, Moscow

Tel: +7 495 645-2156
parker.russia@parker.com

SE – Sweden, Borås

Tel: +46 (0)8 59 79 50 00
parker.sweden@parker.com

SK – Slovakia, Banská Bystrica

Tel: +421 484 162 252
parker.slovakia@parker.com

SL – Slovenia, Novo Mesto

Tel: +386 7 337 6650
parker.slovenia@parker.com

TR – Turkey, Istanbul

Tel: +90 216 4997081
parker.turkey@parker.com

UA – Ukraine, Kiev

Tel: +48 (0)22 573 24 00
parker.poland@parker.com

UK – United Kingdom, Warwick

Tel: +44 (0)1926 317 878
parker.uk@parker.com

ZA – South Africa, Kempton Park

Tel: +27 (0)11 961 0700
parker.southafrica@parker.com

North America

CA – Canada, Milton, Ontario

Tel: +1 905 693 3000

US – USA, Cleveland

Tel: +1 216 896 3000

Asia Pacific

AU – Australia, Castle Hill

Tel: +61 (0)2-9634 7777

CN – China, Shanghai

Tel: +86 21 2899 5000

HK – Hong Kong

Tel: +852 2428 8008

IN – India, Mumbai

Tel: +91 22 6513 7081-85

JP – Japan, Tokyo

Tel: +81 (0)3 6408 3901

KR – South Korea, Seoul

Tel: +82 2 559 0400

MY – Malaysia, Shah Alam

Tel: +60 3 7849 0800

NZ – New Zealand, Mt Wellington

Tel: +64 9 574 1744

SG – Singapore

Tel: +65 6887 6300

TH – Thailand, Bangkok

Tel: +662 186 7000

TW – Taiwan, Taipei

Tel: +886 2 2298 8987

South America

AR – Argentina, Buenos Aires

Tel: +54 3327 44 4129

BR – Brazil, Sao Jose dos Campos

Tel: +55 800 727 5374

CL – Chile, Santiago

Tel: +56 2 623 1216

MX – Mexico, Toluca

Tel: +52 72 2275 4200

Ed. 2018-09

EMEA Product Information Centre

Free phone: 00 800 27 27 5374

(from AT, BE, CH, CZ, DE, DK, EE, ES, FI, FR, IE, IL, IS, IT, LU, MT, NL, NO, PL, PT, RU, SE, SK, UK, ZA)

US Product Information Centre

Toll-free number: 1-800-27 27 537

www.parker.com

