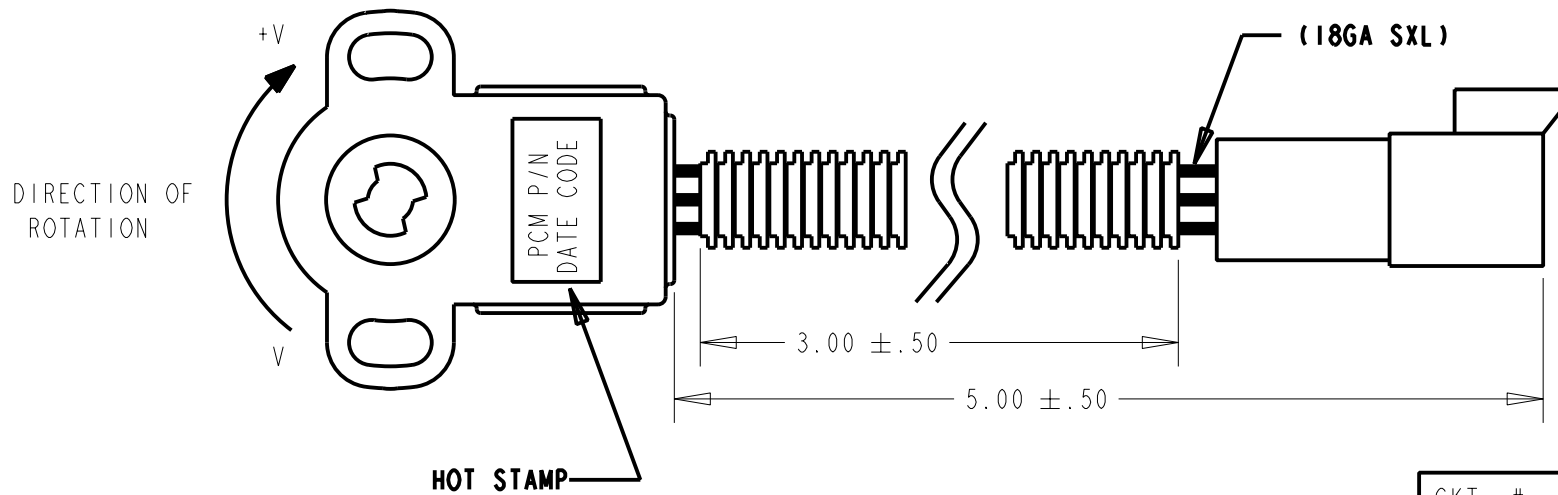


REV	ECR#	DESCRIPTION	DATE	BY	APP'D
A	5510	RELEASE	3/23/05	GFC	RMC

CONN-DEUTSCH; DT04-3P
 TERM-DEUTSCH; 0460-202-16141
 WEDGE-DEUTSCH; W3P



CKT. #	PIN/TERM
Vsupply-RED	A
Vout-BLUE	B
Common-BLACK	C

NOTES:

- 1/4" DIA X 4" CONVOLUTED TUBING UNSLIT
- PROGRAM 0.5V @ -59°, 4.5V @ +59°
- MECHANICAL ROTATION ±59° (118° total)
- RELATIVE LINEARITY @±59°: ±3%
- OFFSET VOLTAGE @ 0°: ±1 1/2%
- OPERATING TEMP: -40°C TO 85°C
- INTERNAL SPRING, CCW RETURN.
- POTTED WITH EP-830 EPOXY.
- REFERENCE: JLG# 4360505

TOLERANCES UNLESS SPECIFIED

	0 ± .25
	.0 ± .05
	.00 ± .02
	.000 ± .010
	ANG ± °

- ⊗ - CRITICAL SYMBOL
- Ⓢ - INCOMING INSPECTION SYMBOL

Power Components
OF MIDWEST, INC.

DATE: 01-Dec-04 BY: GFC CH: RMC

MATERIAL: N/A

TITLE: HP-NRPS-RS52 +/-59 ESD3

PROJ. NO: 954 SIZE: A DWG. NO: 01486-CL REV: A SHEET: 1 OF 1