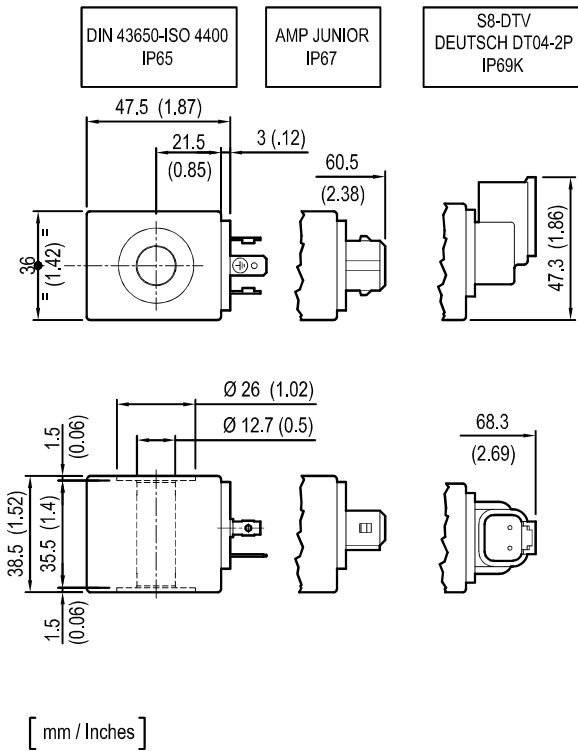


# Coils - Connectors

COIL S8-356 - CLASS H - 17 W

OD.02.27 - X - Y - Z



**TECHNICAL DATA**

Weight: 0.18 kg (0.40 lbs)

Heat insulation Class H: 180°C (356°F)

Ambient temperature range: -30/+80°C (-22/+176°F)

Inlet voltage fluctuations must not exceed ±10% (not welded solenoid type) ±15% (other welded solenoid type) of nominal voltage to obtain correct operation and long life coils.

X	Y	Connections	Circuit	Voltage
01	30	DIN 43650 - ISO 4400	Standard	DC
<b>07</b>	<b>30</b>	<b>AMP JUNIOR</b>	<b>Standard</b>	<b>DC</b>
15	30	AMP JUNIOR	Bidirectionl Diode	DC
20	30	DEUTSCH DT04-2P-L	Standard	DC
20	3P	DEUTSCH DT04-2P-V	Standard	DC

Z	Voltage V	Resistance Ohm (±7%)	Power W	Current A		ΔT °C (°F) 1 hour energized at Ta=20-25°C (68-77°F) Nominal voltage
	Nominal	Ta = 20-25°C (68-77°F)	Cold coil	C o l d coil	H o t coil	
OB	12 DC	8.4	17	1.4	1.0	85-90 (185-194)
<b>OG</b>	<b>14 DC</b>	<b>11.4</b>	<b>17</b>	<b>1.2</b>	<b>0.8</b>	
OC	24 DC	33.7	17	0.7	0.5	

Preferred types (readily available)

Type	Material number
<b>OD02270730OG00</b>	<b>R934003645</b>
OD02271530OG00	R934003888
OD02272030OB00	R934003647
OD02272030OG00	R934003648
OD02272030OC00	R934003649
OD0227203POB00	R934003650
OD0227203POG00	R934003651
OD0227203POC00	R934003652

Type	Material number

Further types available by request