

PROPORTIONAL SOLENOIDS FOR POWER HYDRAU

APPLICATION:

Control of proportional hydraulic distributors in power hydraulic circuits.

TECHNICAL DESCRIPTION:

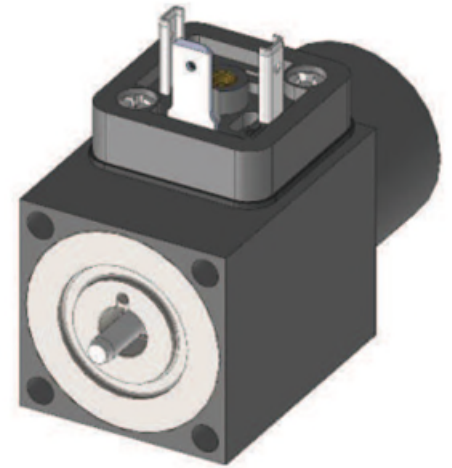
Pushing proportional solenoid used to control power hydraulic circuits.

Main application – smooth modification of hydraulic element parameters by regul the electromagnet coil current within the 0...0.68 A range and that way varying the electromagnet force. Stabilized DC power supply.

May be operated in hydraulic oil environment (wet).

By default, the solenoid is equipped with a manual override button (emergency c and a venting screw. Mode of operation – “pushing”.

The spool and other structural components are protected against corrosion by electrolytic zinc coating and black oxide treatment.



SPECIFICATION:

Rated resistance	[Ω]	24,2
Working stroke	[mm]	2,0
Work time	[%] ED	100
Max working oil pressure	[MPa]	21
Force at the threshold current	[N]	50
Threshold current	[A]	0,68
Rated voltage	[VDC]	24
Mounting dimensions	[mm]	4 holes Ø 4,5 # 28
Weight	[kg]	0,47
Overall dimensions	[mm]	# 35 x 69,5
Type of electric connector		DIN 43650A

Solenoids may also be custom manufactured according to parameters defined by the Customer.

The socket plug is available at additional request.

