

# Coils - Connectors

COIL D36 - CLASS H - 20 W - UL RECOGNIZED

OD.02.U6 - X - Y - Z

## TECHNICAL DATA

Weight: 0.18 kg (0.40 lbs)

Power: 20 W

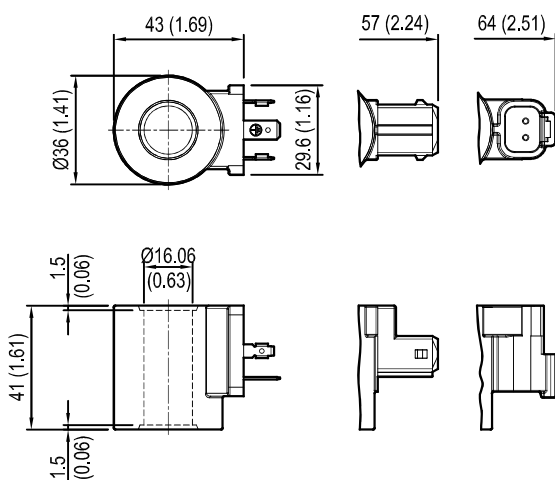
Heat insulation Class H: 180°C (356°F)

Ambient temperature range: -30/+70°C (-22/+158°F)

Further performance limits in terms of temperature and voltage fluctuations: please refer to data sheet of the solenoid valve where D36 coil is mounted.

DIN 43650-ISO 4400  
IP65AMP JUNIOR  
HORIZONTAL  
IP67DEUTSCH DT04-2P-V  
IP69K

UL file number: MH48725



X	Y	Connections	Circuit	Voltage
01	30	DIN 43650 - ISO 4400	Standard	DC
07	30	AMP JUNIOR H	Standard	DC
20	3P	DEUTSCH DT04-2P-V	Standard	DC

Note: UL D36 coil is function interchangeable with standard 20W D36 coil, except for restricted admissible ambient temperature range.

[ mm / Inches ]

Z	Voltage V	Resistance Ohm (±7%)	Power W	Current A	
	Nominal	aT = 20 °C (68 °F)		I Max.	I Nom.
OB	12 DC	7.4	20	1.67	1.04
OC	24 DC	28.4	20	0.83	0.54
OD	48 DC	106.5	20	0.42	0.29
OU*	96 DC	451	20	0.21	0.14
AH*	205 DC	2062	20	0.10	0.06

\* OU and AH versions especially designed in cases of AC supply voltage (respectively for 110AC and 220 AC) to be used in conjunction with connector with circuit including wave rectifier.

For certification visit the website:

<http://database.ul.com/cgi-bin/XYV/template/LISEXT/1FRAME/ccnsrch.html?ccn=>

## Preferred types

Type	Material number
OD02U60130OB00	R901435522
OD02U60130OC00	R901435521
OD02U60130OD00	R901440932
OD02U60130OU00	R901440933
OD02U60130AH00	R901440934

Further types available by request

Type	Material number
OD02U60730OB00	R901435511
OD02U60730OC00	R901435510
OD02U6203POB00	R901435520
OD02U6203POC00	R901435519