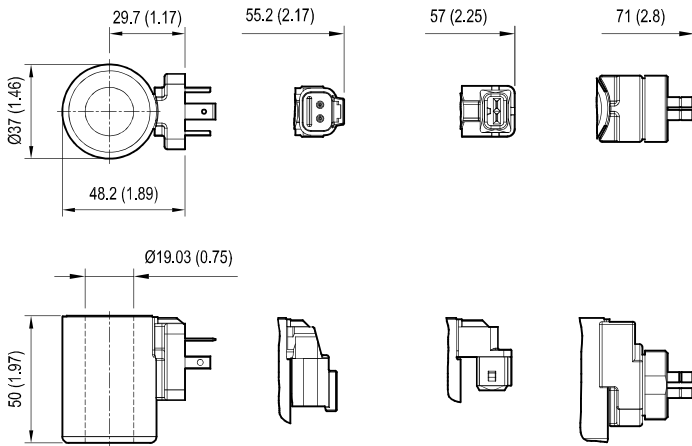


# Coils - Connectors

COIL GP37 PROPORTIONAL - CLASS H

37 - X - RY - Y 00

DIN EN 175301 - 803  
IP65DEUTSCH DT04 - 2P  
C37AMP JUNIOR  
C37KOSTAL M27x1  
C37

## TECHNICAL DATA

Weight: 0.24 kg (0.53 lbs)  
 Heat insulation Class H: 180°C (356°F)  
 Ambient temperature range: -40/+110°C (-40/+230°F)  
 Inlet voltage fluctuations must not exceed ±15% of nominal voltage to obtain correct operation and long life coils.  
 Coils are not equipped with suppression diode.  
 Coating to DIN 50962 - Fe // ZnNi with thick film passivation.  
 (Salt spray test to DIN 50021 720 h)  
 Recommended dither frequency (PWM) 120 Hz

[mm / Inches]

X	Connection	Type of protection
C4	AMP JUNIOR TIMER	IP 66 (IP69K with connector R901022127) see RE08006
K40	DT04-2P DEUTSCH	IP 69K
K4	DIN 43650 - ISO4400	IP65
<b>K46</b>	<b>KOSTAL</b>	<b>IP65</b>

Y	Nominal Voltage (V)	Resistance at 20°C / 68°F ± 5% (Ohm)	Resistance max. hot valve (Ohm)	Max. control current I max. (mA)	Minimum terminal voltage to get I max. at max. hot resistance (V)
2,3	12 DC	2.3	3.8	1760	6.7
4,8	24 DC	4.8	7.9	1200	9.5
<b>11,5</b>	<b>24 DC</b>	<b>11.5</b>	<b>18.5</b>	<b>800</b>	<b>14.5</b>

## Preferred types

Type	Material number
37-C4-R11,500	R901049963
37-C4-R2,300	R901003044
37-C4-R4,800	R901003026
37-K40-R11,500	R901050010
37-K40-R2,300	R901003055
37-K40-R4,800	R901003053

Type	Material number
37-K4-R11,500	R901049962
37-K4-R2,300	R901002932
37-K4-R4,800	R901002319
<b>37-K46-R11,500</b>	<b>R901117075</b>
37-K46-R2,300	R901103949
37-K46-R4,800	R901103947