

# Indicators Series

FMU  $\Delta p$ -Indicators and Pressure Indicators  
Max 420 bar



## Measuring critical system parameters is essential

### Reliable and continuous control of the filter in all applications

The FMU range of filter condition indicators are designed for use on a wide range of Parker filters and competitive interchange filters. Maximum pressure 420 bar. A comprehensive range of high quality indicators for mobile, industrial and marine applications.



## Contact Information:

Parker Hannifin  
**Hydraulic Filter Division Europe**

**European Product Information Centre**  
Freephone: 00800 27 27 5374  
(from AT, BE, CH, CZ, DE, EE, ES, FI, FR, IE, IT, PT, SE, SK, UK)  
filtrationinfo@parker.com

[www.parker.com/hfde](http://www.parker.com/hfde)

## Product Features:

- The FMU range of filter condition indicators, designed for use on a wide range of Parker filters.
- Accurate visual, electronic or electrical filter condition feedback.
- Maximum pressure 420 bar.
- Mobile, industrial and marine applications.

# Indicators Series

## FMU $\Delta p$ -Indicators and Pressure Indicators

### Features & Benefits

Features	Advantages	Benefits
Indicators fatigue tested to full pressure rating	Reliable indicators for heavy duty applications	Reliable and continuous control of the filter in all applications
Cartridge screw-in type indicators	Easy mounting	Reliable sealing, no leakage
Visual, electrical and electronic indicators available	Check element condition at a glance	Optimises element life, prevents bypassing
	Right style for the application	Match your system's electrical connections
Several indication settings	Optimized for each bypass setting	Right indicator for application
Visual indicators	Local monitoring of the element condition	Reliable low cost indicator
Electrical indicator with change-over switch	Option of Normally Open (N.O.) and Normally Closed (N.C.) function	Approved for low voltage and high voltage use including machine control systems and PLC's
Electrical indicator with 4 LEDs	Thermal lock-out	No false alarm because of low temperature oil
	Visual early warning with yellow LED	Allows time to schedule element change
	Pre-alarm with yellow LED and wired output	Indicates upcoming element change
	Alarm with red LED and wired output	Clear indication for element change
Programmable and ATEX certified indicators available	Right indicators for special applications	Improved machine surveillance

### Typical Applications

- Industrial equipment
- Mobile equipment
- Marine/offshore applications

### The Parker FMU Series Differential Pressure Indicators

The FMU range of filter condition indicators, are designed for use on a wide range of Parker filters and suitable for competitive interchange (consult Parker Filtration for details).

Ideal for giving accurate visual, electronic or electrical feedback of filter element condition, in order to facilitate effective maintenance and ensuring hydraulic systems, marine/mobile or industrial are protected from particulate contamination.



## Specification

**Maximum operating pressure:**

420 bar (250 bar for aluminium).

**Maximum differential pressure:**

210 bar.

**Working temperature range:**

-20°C to +85°C with fluoroelastomer seals, -40°C to +85°C with nitrile and EPDM seals.

**Material of housing:**

Brass, aluminium or stainless steel.

**Seals:**

Fluoroelastomer, Nitrile or EPDM.

**Mounting torque:**

max. 75 Nm

(max. 50 Nm for aluminium indicator body & filter housing)

**The differential pressure values of standard indicator models:**

1.2 bar ± 0.2

1.5 bar ± 0.2

2.5 bar ± 0.3

5.0 bar ± 0.5

7.0 bar ± 0.5

8.5 bar ± 0.5

(Indicators for other differential pressure values are optional).

### FMU $\Delta p$ – Indicators are typically used with the following filters:

Heavy duty filters: GS, SF1040, DF2035, DF2050, DFH2060, DF2070, DF2089, DF2110 Note: FMU-Block is required to connect indicator to filter.	<b>U12H</b>	<b>1.0 and 1.5 bar</b>
Medium pressure filters series: 45M. High pressure filters series: 70L, 70T, 70B, 5000, 7100 and 7200. Heavy duty filter series: 130M, DF2145.	<b>U12H</b>	<b>2.5 bar</b>
High pressure filters without bypass valve: 70L, 70T, 70B, 7100 and 7200.	<b>U12H</b>	<b>7.0 bar</b>
Medium and low pressure filter series; Note for PD Range only 2.5 bar indicators are available: 15CN, 40CN, 80CN, 22PD, 32PD, 15P, 30P, 40RF, 50RF, IL8, 12M, 22M, 16P, 26P, 36P. Also heavy duty filter DF40.	<b>U14M</b>	<b>1.2 and 2.5 bar</b>
High pressure filters 18P, 28P, 38P, FDA, FDB	<b>U14H</b>	<b>2.5 and 5.0 bar</b>

# Indicators Series

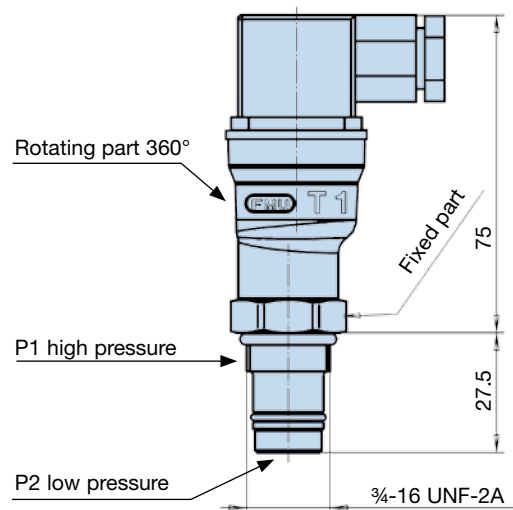
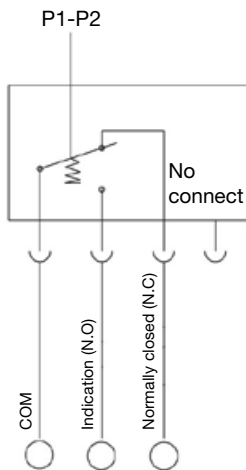
## FMU Δp-Indicators and Pressure Indicators

### FMUT Electrical

Rated voltage	Non-inductive load (A)				Inductive load (A)				Inrush current (A)	
	Resistive load		Lamp load		Inductive load		Motor load		N.C.	N.O.
	N.C.	N.O.	N.C.	N.O.	N.C.	N.O.	N.C.	N.O.		
125VAC	5		1.5	0.7	3		2.5	1.3	20 max.	10 max.
250VAC	3		1.0	0.5	2		1.5	0.8		
8VDC	5		2		5	4	3			
14VDC	5		2		4	4	3			
30VDC	4		2		3	3	3			
125VDC	0.4		0.05		0.4	0.4	0.05			
250VDC	0.2		0.03		0.2	0.2	0.03			

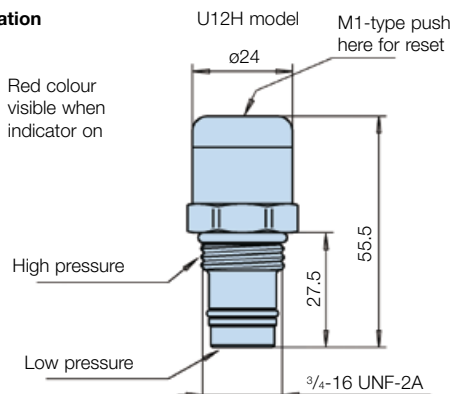
Enclosure class	IP65
Electrical connector	DIN 43650
Overtoltage category	II (EN61010-1)

### Contact configuration

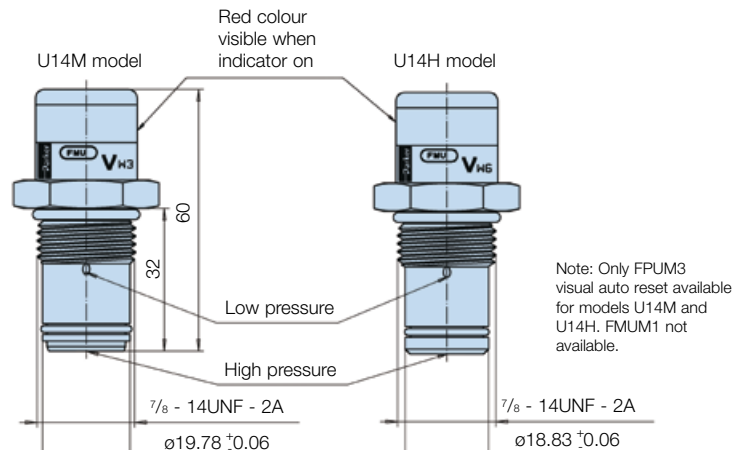


### FMUM3 Visual Auto Reset/FMUM1 Visual Manual Reset

#### Operation



#### Operation

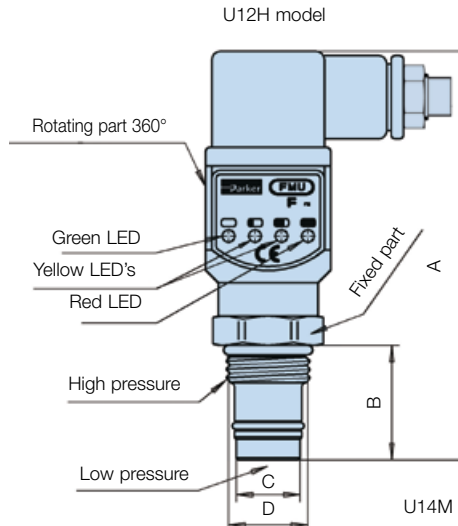
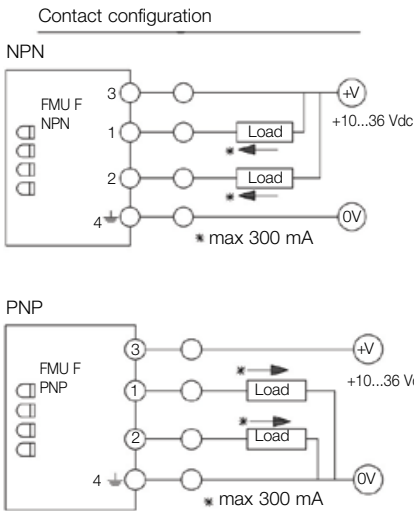


Note: Only FMUM3 visual auto reset available for models U14M and U14H. FMUM1 not available.





## FMUF Electronic



	U12H	U14M	U14H	
<b>A</b>	98	105	105	
<b>B</b>	27.5	32	32	
<b>C</b>	∅16.2 ±0.05	∅19.78 ± 0.06	∅18.83 ± 0.06	
<b>D</b>	<sup>3</sup> / <sub>4</sub> -16	<sup>7</sup> / <sub>8</sub> -14	<sup>7</sup> / <sub>8</sub> -14	
	UNF-2A	AUNF-2A	UNF-2A	

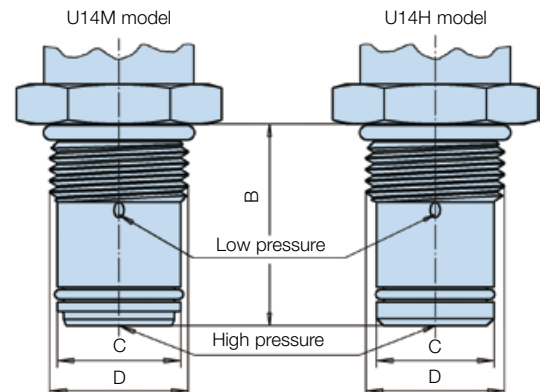
### Thermal lock-out (standard setting +20°C)

- Indicator operates only when temperature is above setting.
- Green LED is blinking if temperature is lower. (not in U12H)

Ind. press. setting	LED status				Output
	G	Y1	Y2	R	
< 50 %	⊗				-
50 %	⊗	⊗			-
75 %	⊗	⊗	⊗		2 active
100 %	⊗	⊗	⊗	⊗	1 active

Enclosure class	IP65
Electrical connector	DIN 43650, cable connection PG9 or optionally M12 4-pin
Input supply voltage	+10 to 36 Vdc
*Indication output	max. 300 mA/36 Vdc
Output type:	N.O. or N.C./NPN or PNP

Note: Do not connect output terminals 1 or 2 directly (without load) to power supply terminals, because this will damage the equipment.



Safety feature: The 250 bar U14M indicator does not fit into the U14H cavity, which is used in 420 bar filters

## FMUL1 Programmable



Dimensions: see FMUF electronic Δp-indicator

## Programmable Δp-indicator

All settings adjustable (settings made via PC) Connections cable and software available from Parker

- 4 LEDs giving visual indication:
  - Green (G): Power ON
  - Yellow 1 (Y1): Pre-alarm 1 (presetting 50%)
  - Yellow 2 (Y2): Pre-alarm 2 (presetting 75%)
  - Red (R): Indication (presetting 100%)
- two independently programmable indication outputs
  - can be set independently from each other and LED setting
  - output type: NPN or PNP
  - switching type: N.O. or N.C.
- setting range: 0,5 ... 10 bar
- thermal lock-out range: 0 ... 100°C
- includes a microchip with memory logs
  - number of alarms: max 65535
  - time indication on (output 1): max 1092 hours
  - time power on (running hours): max 7 1/2 years
  - upload and reset via PC



# Indicators Series

## FMU Δp-Indicators and Pressure Indicators

### Ordering Information

**FMU F1 M E M U12 H**

#### Product configurator



Box 1

Code	
<b>Indicator series</b>	<b>Code</b>
Filter monitoring unit	<b>FMU</b>

X

Box 2

Filter type	
<b>Differential pressure indicator</b>	<b>Code</b>
Visual manual reset	M1*
Visual autoreset	<b>M3</b>
Electrical	<b>T1</b>
Electronic 4 LED, PNP, N.O.	<b>F1</b>
Electronic 4 LED, NPN, N.O.	<b>F2</b>
Electronic 4 LED, PNP, N.C.	F3
Electronic 4 LED, NPN, N.C.	F4
Programmable with memory logs	L1
Ex version	X1

X

\*Available only with U12 thread

Box 3

Indicator setting		
<b>Indicator setting</b>	<b>Standard</b>	<b>Code</b>
1.0 bar (14 psi)	c	<b>F</b>
1.2 bar (17 psi)	a	<b>G</b>
1.5 bar (21 psi)	c	<b>H</b>
2.5 bar (35 psi)	a, b, c	<b>K</b>
5.0 bar (70 psi)	b	<b>M</b>
7.0 bar (98 psi)	c	<b>N</b>
8.5 bar (125 psi)		P

X

Standard settings:  
a: U14M, former -W3  
b: U14H, former -W6  
c: U12H, former -F6

Box 4

Seal type	
<b>Seal material</b>	<b>Code</b>
Nitrile	B
Fluorelastomer	<b>V</b>
EPDM	E
Neopren	N

X

Box 5

Indicator body	
<b>Indicator body</b>	<b>Code</b>
Aluminium (Box 7, code M)	A
Brass (Box 7, code M and H)	<b>M</b>
Stainless steel	R

X

Box 6

Thread connection	
<b>Thread connection</b>	<b>Code</b>
3/4" - 16UNF-2A	<b>U12</b>
7/8" - 14UNF-2A	<b>U14</b>
SAE 8	<b>S08</b>

X

Box 7

#### A - class products

Max Pressure	
<b>Max pressure</b>	<b>Code</b>
CN, 15/30P & 22/32 PD Series	<b>M</b>
45M, 130M, 70P & 18/28/38P	<b>H</b>
EPF, EMDPF	<b>Omit</b>

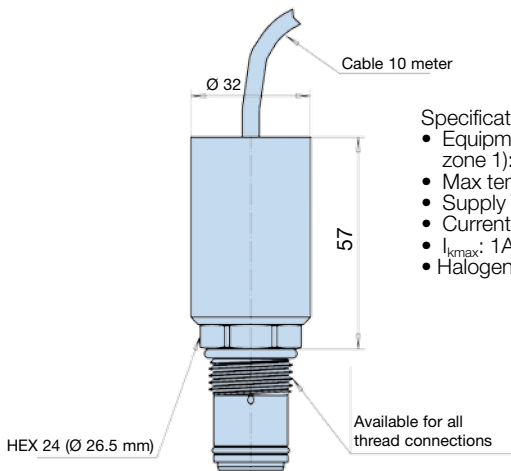
X

Box 8

Options	
<b>Options</b>	<b>Code</b>
Standard	<b>omit</b>
Other options	factory supplied

Note: F and L type indicators. Non-standard thermal lockout settings shown here.

### FMUX ATEX Approved Electronic



#### Specification:

- Equipment category 2 (for zone 1): Ex II 2 GD Eex m II T6
- Max temperature 85°C
- Supply Voltage: 10 – 36 Vdc
- Current 300 mA (max)
- I<sub>kmax</sub>: 1A
- Halogenfree cable

#### FMUX Indicator Information (see left)

##### Indicator type X1: ATEX Δp-indicator

Electronic indicator accordant with ATEX 94/9/EC directive: (Ex) II 2 GD Eex m II T6.

Degree of protection IP66. X1 refers to PNP, N.O.

Other output options X2, X3 and X4 are available by request.

(Refer to electronic F Type).

##### L1 Indicator Information (see previous page)

##### Connection cable + software for programmable indicator L1

Connection cable for PC serial connection and software for indicator settings and utilising memory logs.

**Ordering Code: 905075030**

#### General Information

##### Seal kits (fluorelastomer)

Indicators with thread connection U12H (former -F6) + S08

Indicators with thread connection U14M (former -W3)

Indicators with thread connection U14H (former -W6)

#### Ordering code

**911045078**

**911045086**

**911045087**

Note 1: Part numbers featured with bold highlighted codes will ensure a 'standard' product selection.

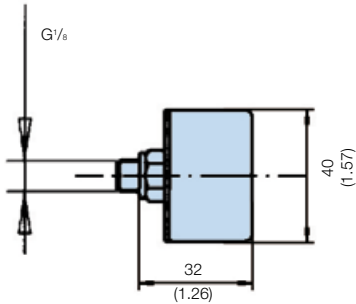
Note 2: Alternate displayed part number selection will require you to contact Parker Filtration for availability.



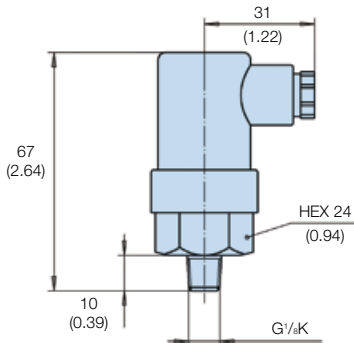
## Pressure Indicators for Low Pressure Filters

### ETF Filter

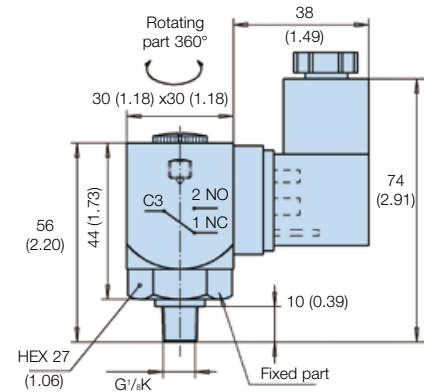
Visual pressure indicator  
**Code G2**  
mm (inches)


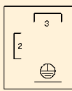
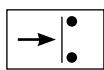
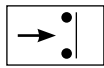


48 Vdc electrical indicator 1.0 bar  
**Code S2/S3**  
mm (inches)

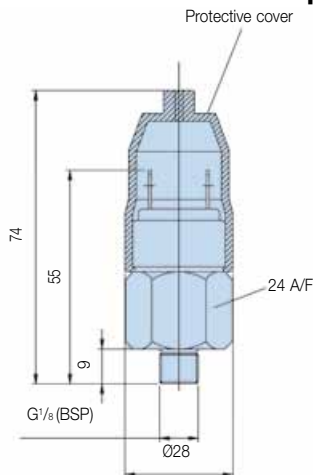


250 VAC electrical indicator 1.0 bar  
**Code S4**  
mm (inches)

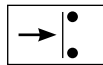


Option	Description	Connection/Voltage	Wiring	Part number
G2	Visual indicator 1.0 bar	N/A	N/A	FMUG2EBPG02L
S2/S3	Electrical indicator 1.0 bar	42 Vdc max	 Select either normally open (NO) or normally closed (NC)	FMUS2FBMG02L (NO switch) or FMUS3FBMG02L (NC switch)
S4	Electrical indicator 1.0 bar	250 Vac max		FMUS4FFAG02L  Normally open contacts  Normally closed contacts

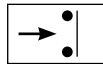
### Indicator PS NO or NC pressure switch



Normally open contacts



Normally closed contacts



Specifications	
Elec.rating	42V / 2A
Thread connection	G1/8
Elec.connection	AMP terminal 6.3x0.8
Protection	IP65 (terminal IP00)
Switch type	NO or NC
Code	FMUS2EBMG02L (NO switch) FMUS3EBMG02L (NC switch)

<b>Visual indicator</b>	1.2 bar
G1/8: code	FMUG2EBPG02L