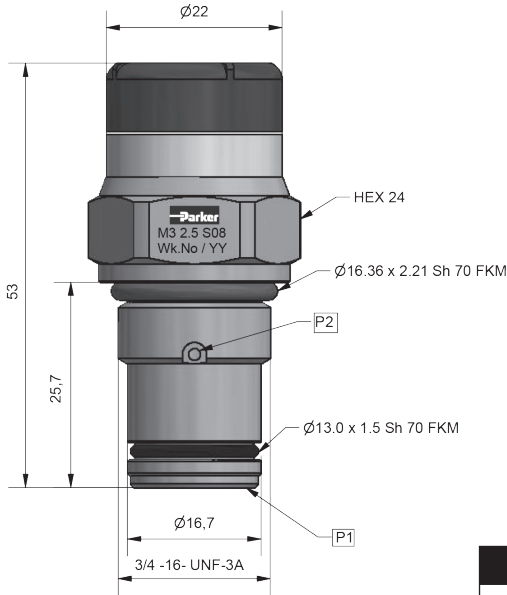
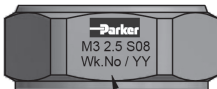


DPIM3_VS08MX1

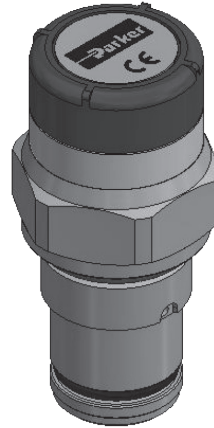
VISUAL DIFFERENTIAL PRESSURE INDICATOR



P1: High pressure, P2: Low pressure



Engraving on Hex.
Pressure setting & thread code



TECHNICAL SPECIFICATIONS

Switching	Red/Green
Max pressure (p1=p2)	450 bar
Proof pressure	675 bar
Max differ. pressure (p1-p2)	210 bar
Working temperature range	-20° to +100 °C
Body material	Brass
Max torque	50 Nm

SEAL KIT

ORDERING CODE

Fluoroelastomer	930000298
-----------------	-----------

INDICATOR SELECTION TABLE

DP SETTING	DP CODE	ORDERING CODE	MARKING CODE
1.2 bar (± 0.25)	G	DPIM3GVS08MX1	M3 1.2 S08
2.5 bar (± 0.35)	K	DPIM3KVS08MX1	M3 2.5 S08
3.5 bar (± 0.55)	L	DPIM3LVS08MX1	M3 3.5 S08
5.0 bar (± 0.75)	M	DPIM3MVS08MX1	M3 5.0 S08



Make sure to install indicator to the filter head before filter is installed to the system.

All relevant safety regulations must be met.

This indicator comes with S08 thread, which is used in EPF and GMF filters. Please note that there are other filters using U12H, U14M or U14H threads.

Visual indicator shows the proper time to change a new filter element.



The colour turns **from green to red** when a new filter element needs to be changed.

INSTALLING INDICATOR TO FILTER HEAD

Remove the indicator port plug (Fig. 1) or the indicator plug (Fig. 2).

Lubricate indicator on the thread side with industrial grade grease (Fig. 3) or oil (Fig. 4) properly.



Fig. 1



Fig. 2



Fig. 3



Fig. 4

TIGHTENING SEQUENCE

Clean indicator port to be dust and moisture free (Fig. 5 and 6).

Insert indicator to indicator port. Exert pressure from top of the indicator to overcome hardness and tighten indicator turning clockwise (Fig. 7).

Use size 24 wrench to complete the tightening to 50Nm (Fig. 8).

Do not attempt to turn the indicator by means from plastic part, otherwise it could be damaged beyond further use.



Fig. 5



Fig. 6



Fig. 7



Fig. 8

If the indicator is not working properly, check external o-rings and replace if necessary.
If this will not fix the problem, please replace the indicator.