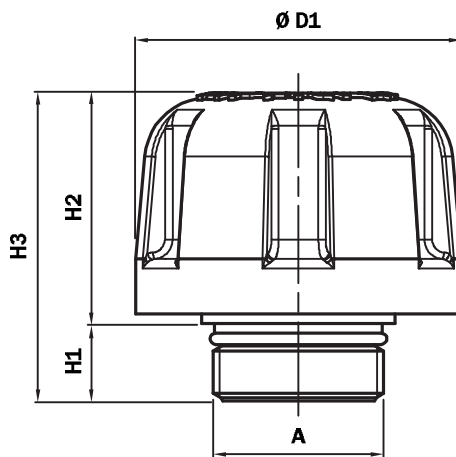
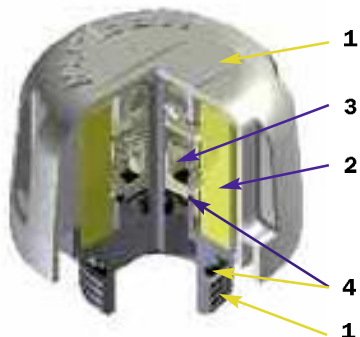


# X Series SAP 50

Nylon air breather filter

## Dimensions



### SAP050 (Materials)

- 1 - Cover/Connection: Nylon
- 2 - Filter element: Impregnated paper  
Yr þgvédz uvé
- 3 - Pressurisation: Nylon  
Galvanised steel  
NBR
- 4 - Seal: NBR

Flow rate with  $\Delta p$ : 0,02 bar

Filtration  $I_N$ /min  
10  $\mu$ m 204

### Weights

SAP 050: 0,040 kg

### Connection to reservoir " A "

Type SAP 50				
G1	G2	G3	G4	G5
G 1/4"	G 3/8"	G 1/2"	G 3/4"	1/4" NPT
G6	G7	G8	G9	G10
3/8" NPT	1/2" NPT	3/4" NPT	SAE 6	SAE 12

### Quantity per pack Number of Parts

SAP 50	10
--------	----

### Dimensions

Type SAP	D1	H1	H2	H3
50 G1	50,5	12	36	48
50 G2				
50 G3				
50 G4				
50 G5				
50 G6				
50 G7				
50 G8				
50 G9	50,5	14,5	35	50
50 G10				

## Ordering information

Breather filter  
SAP  1  2  3  4  5  
Example: SAP50 G4 L10 A 0 P01

### 1 - Connection to reservoir

G1	G 1/4"
G2	G 3/8"
G3	G 1/2"
G4	G 3/4"
G5	1/4" NPT
G6	3/8" NPT
G7	1/2" NPT
G8	3/4" NPT
G9	SAE 6
G10	SAE 12

### 2 - Filter element

L03	3 @m - Impregnated paper
L10	10 @m - Yr þgvédz uvé

### 3 - Seal

A	NBR
---	-----

### 4 - Pressurisation valve

0	L yð r gz Pressurisation valve 0,5 bar
1	Only for connection: G2 - G3 - G4 - G6 G7 - G8 - G10

### 5 - Options

P01	MP Filtri standard
-----	--------------------