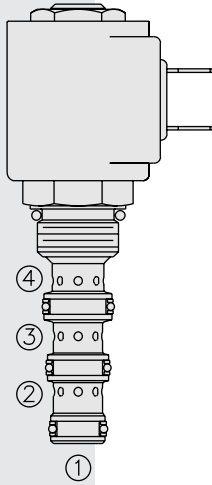
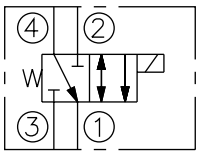


SV08-43 Spool, 4-Way, 2-Position

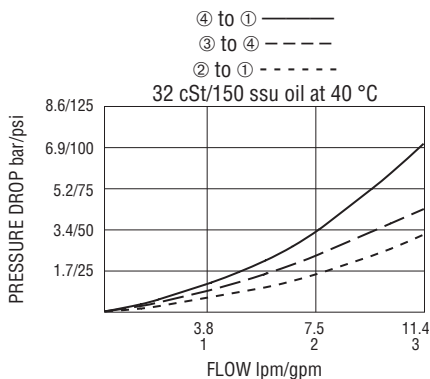


SYMBOLS

USAS/ISO:



PERFORMANCE (Cartridge Only)



DESCRIPTION

A solenoid-operated, 4-way, 2-position, direct-acting, spool-type, screw-in hydraulic cartridge valve.

OPERATION

When de-energized, the **SV08-43** allows flow from ④ to ①, while blocking ③ and ②. When energized, the spool shifts to allow flow from ③ to ④ and ② to ①.

Note: While port ① may be fully pressurized, it is not intended for use as the inlet.

FEATURES

- Continuous-duty rated solenoid.
- Hardened precision spool and cage for long life.
- Optional coil voltages and terminations.
- Efficient wet-armature construction.
- All ports may be fully pressurized.
- Cartridges are voltage interchangeable.
- Optional waterproof E-Coils rated up to IP69K.
- Unitized, molded coil design.
- Industry-common cavity.

RATINGS

Operating Pressure: 207 bar (3000 psi)

Flow: See Performance Chart

Internal Leakage: 82 cc/minute (5 cu. in./minute) max. at 207 bar (3000 psi)

Temperature: -40 to 120 °C with standard Buna seals

Coil Duty Rating: Continuous from 85% to 115% of nominal voltage

Initial Coil Current Draw at 20 °C: Standard Coil: 1.2 A at 12 Vdc;
0.13 A at 115 Vac (full wave rectified).

E-Coil: 1.4 A at 12 Vdc; 0.7 A at 24 Vdc

Minimum Pull-in Voltage: 85% of nominal at 207 bar (3000 psi)

Filtration: See page 9.010.1

Fluids: Mineral-based or synthetics with lubricating properties at viscosities of 7.4 to 420 cSt (50 to 2000 sus); See Temperature and Oil Viscosity, page 9.060.1

Installation: No restrictions; See page 9.020.1

Cavity: VC08-4; See page 9.108.1

Cavity Tool: CT08-4XX; See page 8.600.1

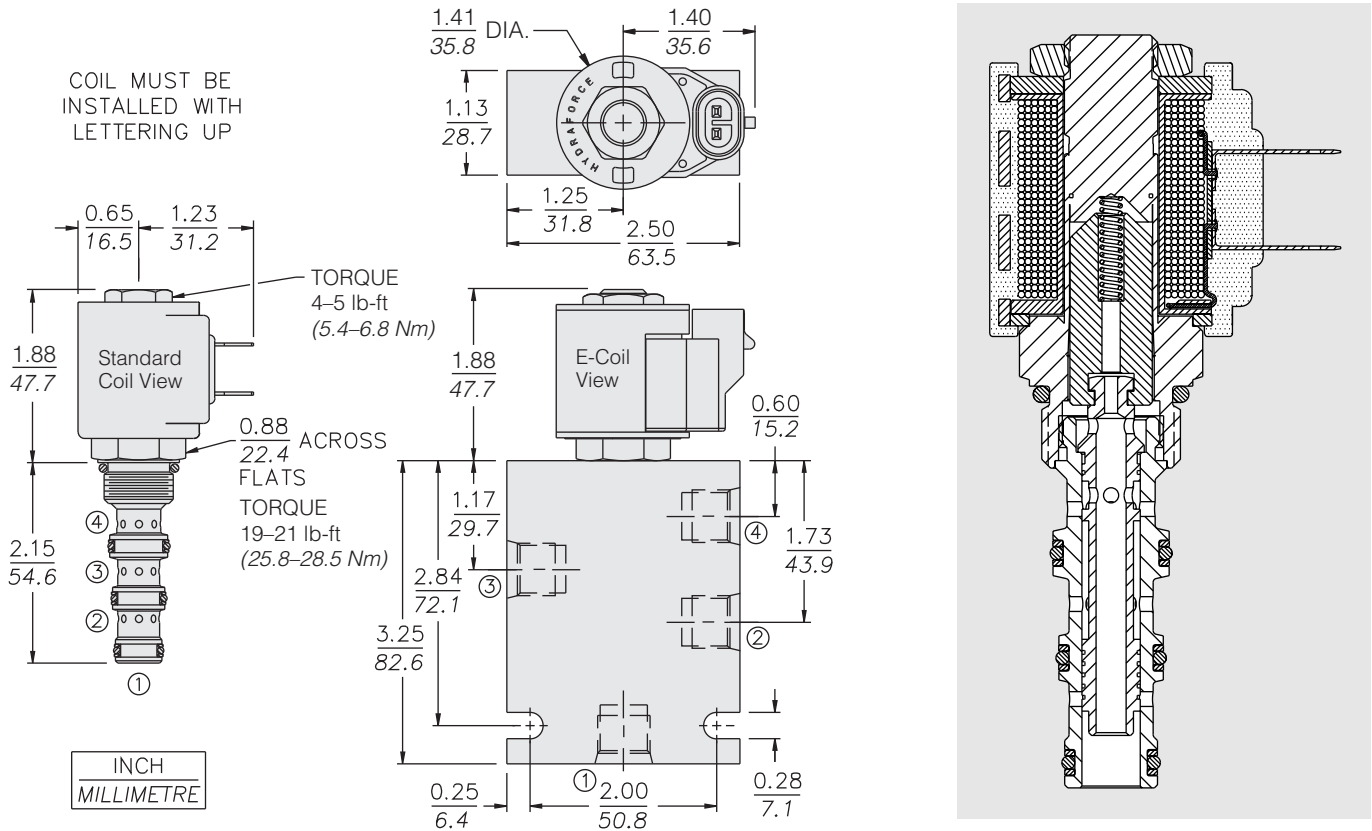
Seal Kit: SK08-4X-MMM; See page 8.650.1

Coil Nut: Part No. 7004400;

For E-coils manufactured prior to 1-1-04, see page 3.400.1 for coil nut info.

SV08-43

DIMENSIONS



MATERIALS

Cartridge: Weight: 0.13 kg (0.28 lb); Steel with hardened work surfaces. Zinc-plated exposed surfaces; Buna N O-rings and back-ups standard.

Standard Ported Body: Weight: 0.27 kg (0.60 lb); Anodized high-strength 6061 T6 aluminum alloy, rated to 207 bar (3000 psi); Ductile iron bodies available; dimensions may differ. See page 8.008.1.

Standard Coil: Weight: 0.11 kg (0.25 lb); Unitized thermoplastic encapsulated, Class H high temperature magnet wire. See page 3.200.1.

E-Coil: Weight: 0.14 kg (0.3 lb); Perfect wound, fully encapsulated with rugged external metal shell; Rated up to IP69K with integral connectors.

See page 3.400.1 for all E-Coil retrofit applications.

TO ORDER

SV08-43

Option

None (Blank)

Porting

Cartridge Only 0
 SAE 6 6T
 3/8 in. BSP* 3B
*BSP Body; U.K. Mfr. Only

Seals

Buna N (Std.) N
 Fluorocarbon V

Voltage Std. Coil

0 Less Coil**
 10 10 Vdc†
12 12 Vdc
 24 24 Vdc
 36 36 Vdc
 48 48 Vdc
 24 24 Vac
 115 115 Vac
 230 230 Vac

**Includes Std. Coil Nut
 † DS, DW or DL terminations only.

E-Coil

10 10 Vdc
 12 12 Vdc
 20 20 Vdc
 24 24 Vdc

Termination (Vdc) Std. Coil

DS Dual Spades
 DG DIN 43650
 DL Leadwires (2)
 DL/W Leads w/Weatherpak® Connectors

DR Deutsch DT04-2P

Termination (Vac) Std. Coil

AG DIN 43650
 AP 1/2 in. Conduit

Termination (Vdc) E-Coil

ER Deutsch DT04-2P (IP69K Rated)
 EY Metri-Pack® 150 (IP69K Rated)

Coils with internal diode are available. Consult factory.