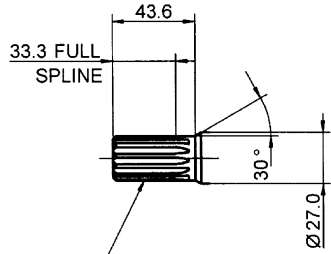
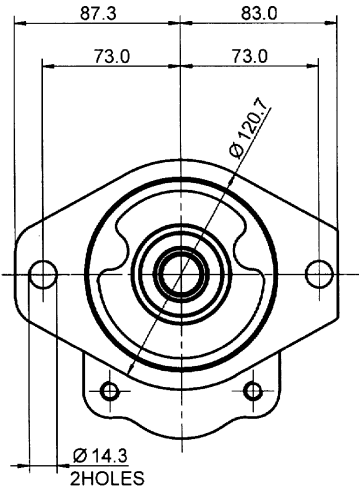


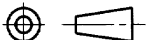
PUMP DATA	PUMP I	PUMP II
DISPLACEMENT	19,0 ccm	19,0 ccm
MAX.CONT.PRESSURE	250 bar	250 bar
SPEED RATE 500 TO 3300 min <sup>-1</sup>		
MAX. INPUT SHAFT TORQUE	345 Nm	
ROTATION	ANTI CLOCKWISE	



SAE INVOLUTE SPLINE  
13 TEETH - 16/32 PITCH  
FLAT ROOT SIDE FIT  
MAJOR DIA 21.67-21.79  
MINOR DIA 18.631 MAX.



THIRD ANGLE PROJECTION



EXP NO.

FIRST USED

03-06-961/03-09-912

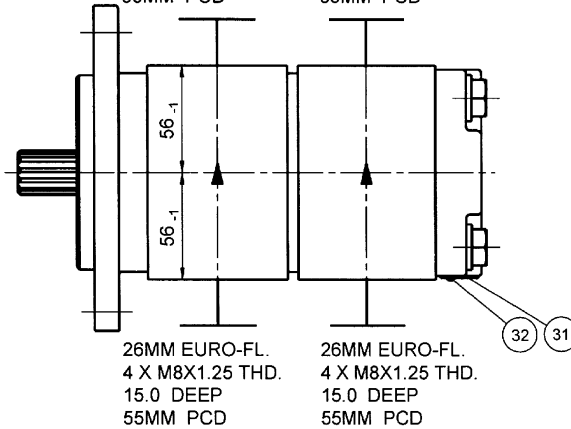
333 9120 095

SYM. REVISIONS 03SEP03 PG 43402

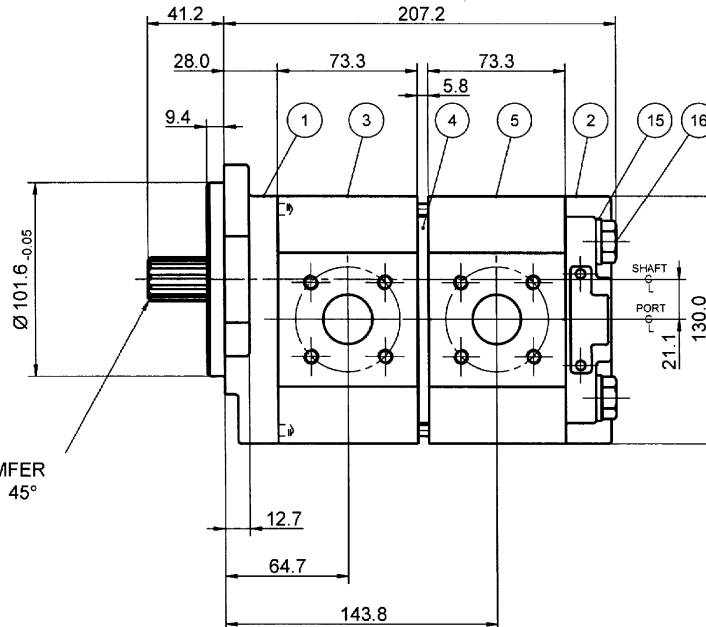
A2 POS 17 CANCELLED

A1 391 1401 594 WAS 391 1425 644

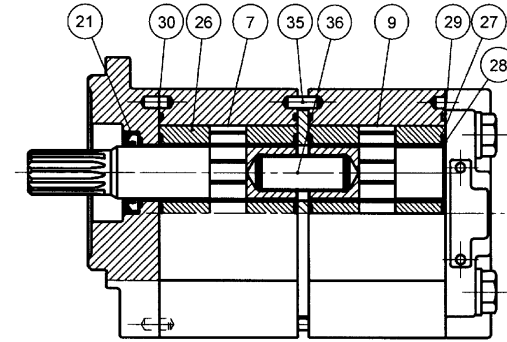
18MM EURO-FL.  
4 X M8X1.25 THD.  
15.0 DEEP  
55MM PCD



CHAMFER  
1.5 x 45°



PUMP COMPLETELY TO BE PAINTED  
EXCEPT: MOUNTING FACE  
PORTS  
SEAL FACES  
NAMEPLATE  
COLOUR: RED - 25µm THICKNESS



NOTE



FOR ASSEMBLY INSTRUCTIONS SEE DWG. NO. "517-B1"  
"PGP517 PUMP ASSEMBLY INSTRUCTIONS".

28	391 2882 162	4	SEAL. BK-UP	36	324 1133 001	1	SFT. CONN.
27	391 2882 161	4	SEAL. CHAN	35	391 2080 081	2	PIN, DOWEL
26	391 2185 093	4	THRBLK/BSHG	34			
25				33			
24				32	391 1432 004	2	SCREW. DR.
23				31	391 2183 227	1	NAMEPLATE
22				30	391 2080 080	2	PIN. DOWEL
21	391 2883 104	1	SEAL. LIP	29	391 2882 263	4	SEAL. SECT.
ITEM	PART NO	REQD		ITEM	PART NO	REQD	

ITEM	PART NO	REQD		ITEM	PART NO	REQD	
20	SEE ABOVE			BOM. COMPONENT			
19							
18							
17							
16	391 1401 594	4	SCREW (190 MM)				
15	391 3782 232	4	WASHER				
14							
13							
12							
11							
10							
9	333 2819 000	1	SET, GEAR				
8							
7	333 2919 440	1	SET, GEAR SHAFT				
6							
5	333 8119 906	1	HOUSING, GEAR				
4	391 2183 238	1	PLATE, MID				
3	333 8119 906	1	HOUSING, GEAR				
2	333 3000 100	1	HOUSING, PEC				
1	73330:4116533	1	HOUSING, SEC				
ITEM	PART NO	REQD		DESCRIPTION			

THIS DOCUMENT CONTAINS INFORMATION THAT IS CONFIDENTIAL AND PROPRIETARY TO PARKER-HANNIFIN CORPORATION (PARKER). THIS DOCUMENT IS FURNISHED ON THE UNDERSTANDING THAT THE DOCUMENT AND THE INFORMATION IT CONTAINS WILL NOT BE COPIED OR DISCLOSED TO OTHERS OR USED FOR ANY PURPOSE OTHER THAN CONDUCTING BUSINESS WITH PARKER AND WILL BE RETURNED AND ALL FURTHER USE DISCONTINUED UPON REQUEST BY PARKER. ALL RIGHTS RESERVED.

PGP517B0190AD1H3\*VJ9J8S-517A0190XJ9J8B1B1

MATERIAL	ADM CTR P	DR. BY DATE	CH. BY DATE	SCALE
H.E.-STD:	REV DTE 03SEP03	PG 16JUN03	UH 16JUN03	1/2
WT 15.2 KG	DIMENSIONS ARE —MM—		333 9120 095	
© 2003 Parker-Hannifin Corporation				