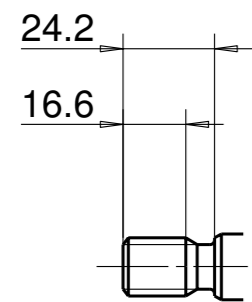
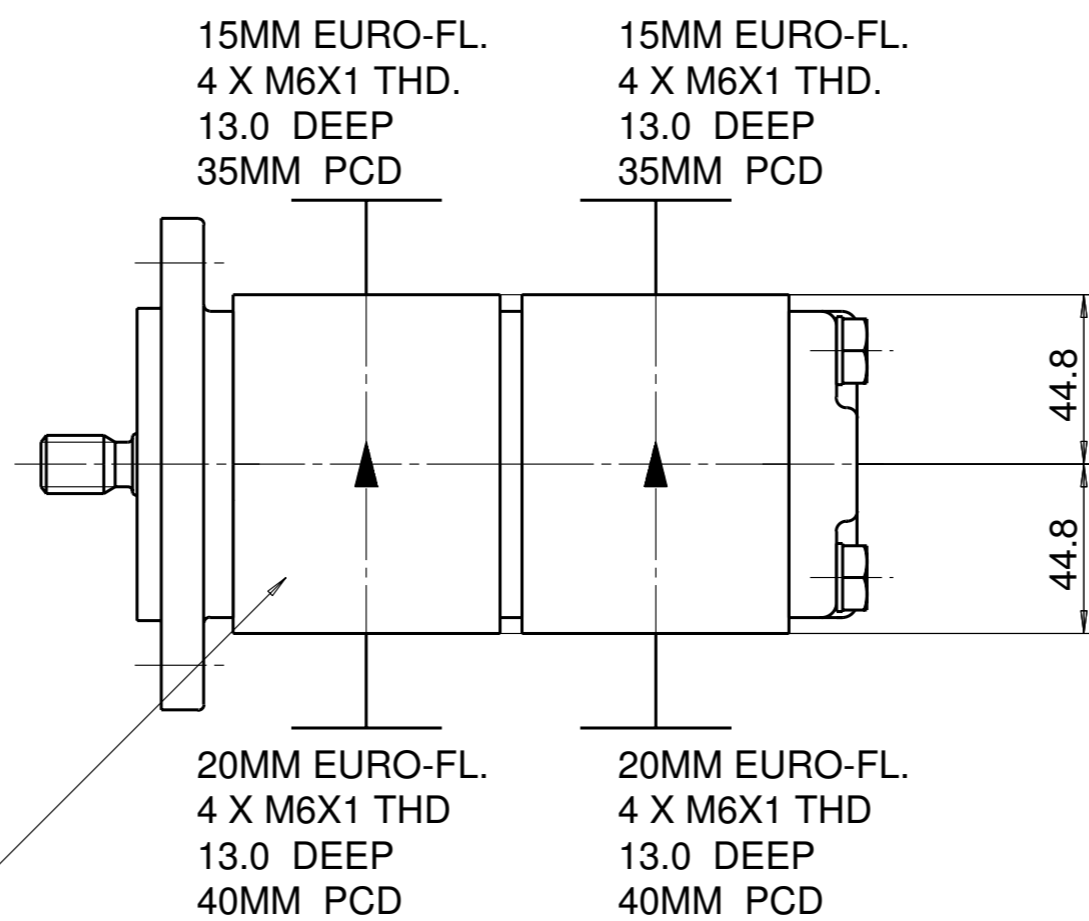
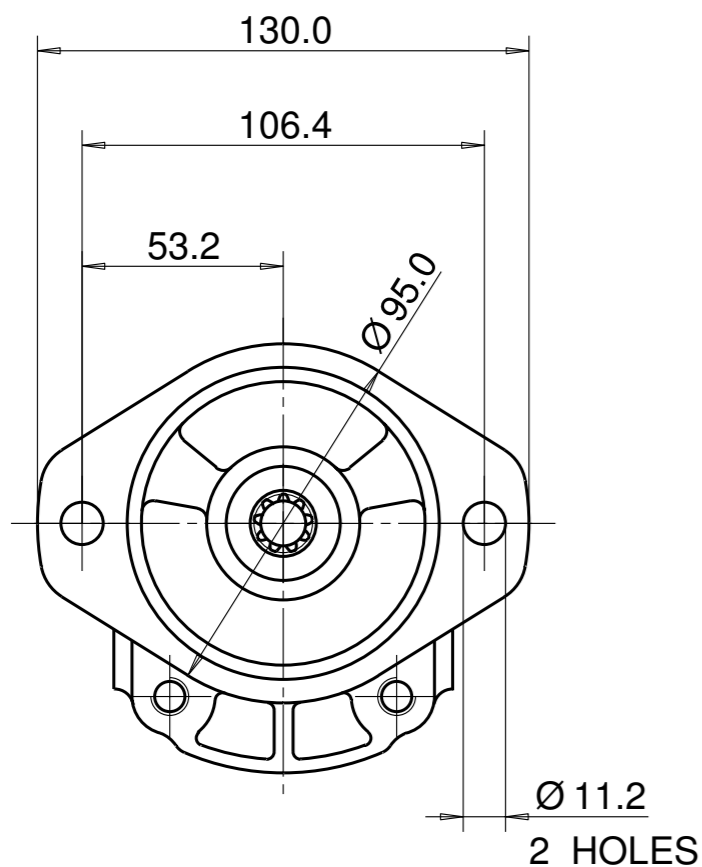


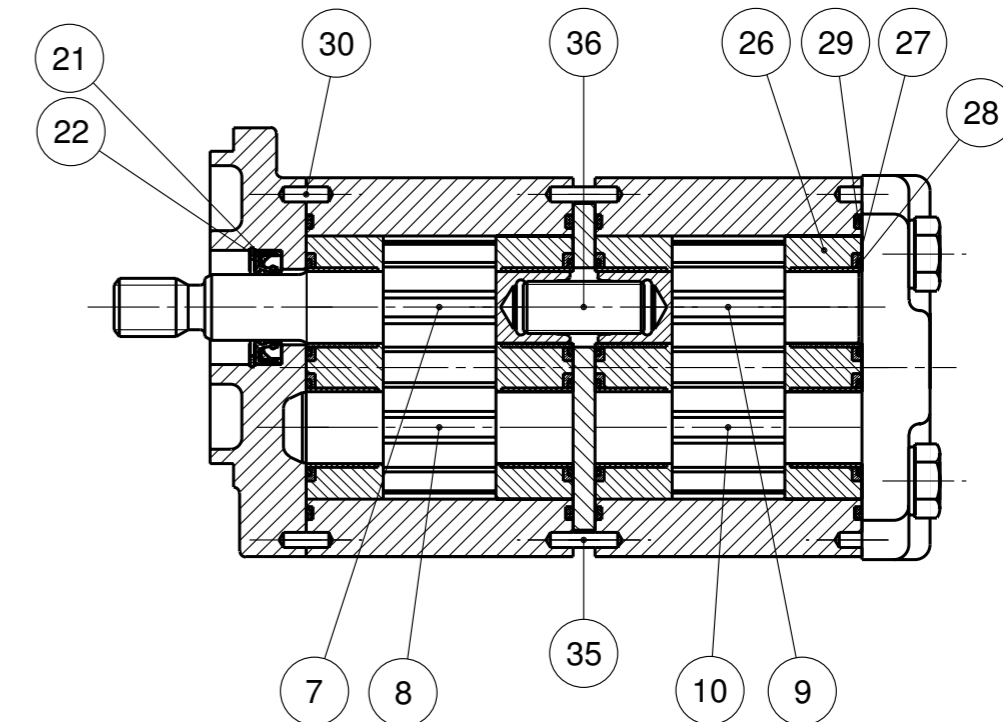
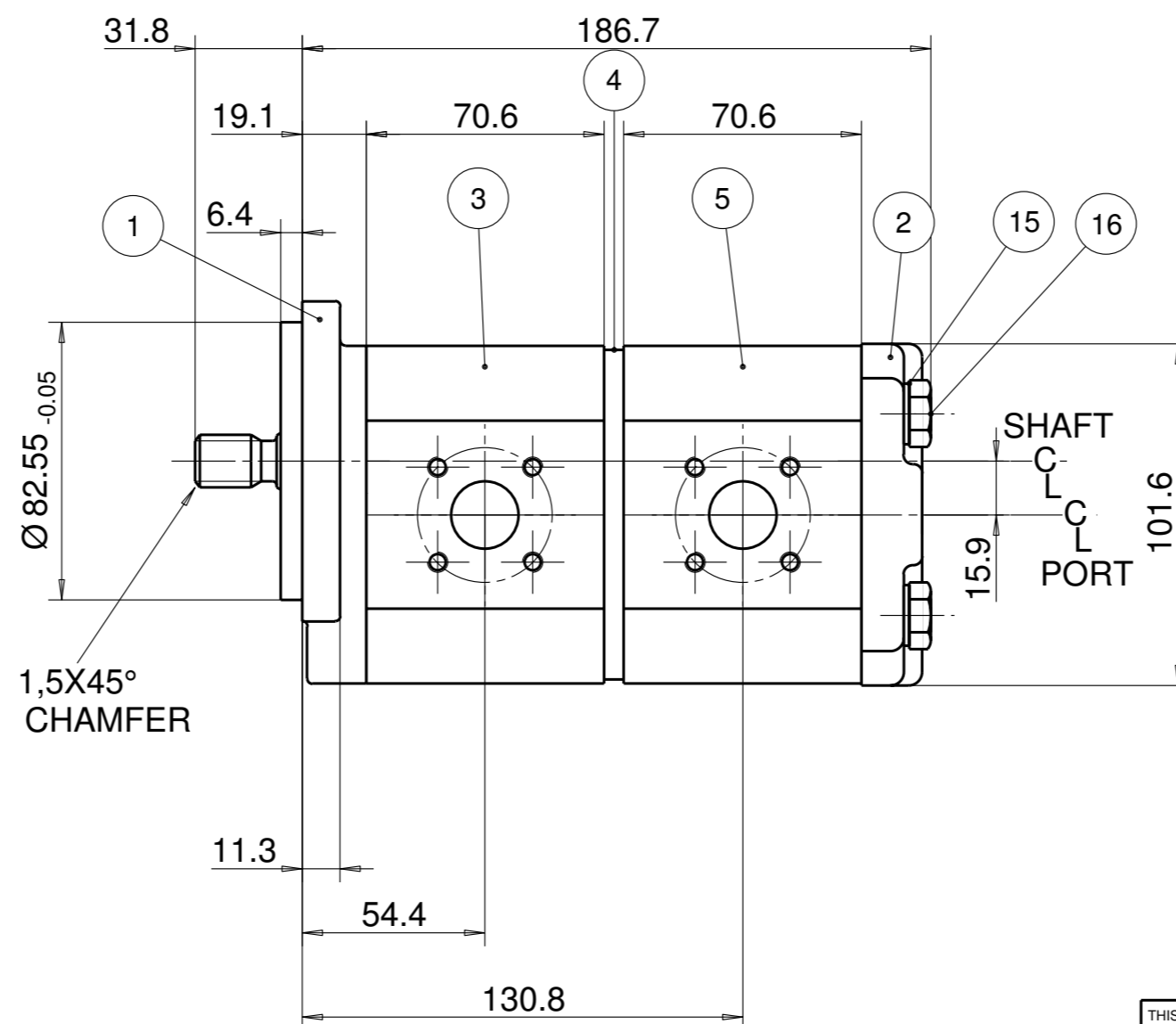
PUMP DATA	FRONT PUMP	REAR PUMP
DISPLACEMENT	19,0 ccm	19,0 ccm
MAX. PRESSURE	140 bar	110 bar
SPEED RATE	500 min <sup>-1</sup>	TO 2500 min <sup>-1</sup>
MAX. INPUT SHAFT TORQUE	86 Nm	
ROTATION	ANTI CLOCKWISE	



SAE INVOLUTE SPLINE  
9 TEETH - 16/32 PITCH  
FLAT ROOT SIDE FIT  
MAJOR DIA. 15.32 - 15.47  
MINOR DIA. 12.281 MAX.



UNIT IDENTIFICATION  
(NAMEPLATE)  
ON END COVER  
OR ON GEAR HOUSING



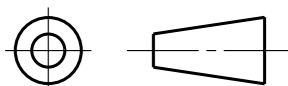
**NOTE**

1 FOR ASSEMBLY INSTRUCTIONS SEE DWG. NO. "511-B1"  
"PGP511 PUMP ASSEMBLY INSTRUCTIONS".

ITEM	PART NO	REQD	ITEM	PART NO	REQD		
28	8611-015-000	4	SEAL. BK-UP	36	332 1133 001	1	SHAFT,CONN
27	8611-016-00R	4	SEAL. CHAN.	35	391 2080 079	2	PIN, DOWEL
26	8898-207-00U	4	THRBLK/BSHG	34			
25				33			
24				32			
23				31			
22	9211-323-00B	1	RING, SNAP	30	391 2080 078	2	PIN. DOWEL
21	8301-019-00K	1	SEAL. LIP	29	9313-145-00B	4	SEAL. SECT.

ITEM	PART NO	REQD	DESCRIPTION
20			
19			
18			
17			
16	391 1401 569	4	FASTENER (175mm)
15	391 3782 231	4	WASHER
14			
13			
12			
11			
10	334 2719 000	1	DRIVEN GEAR
9	334 2619 000	1	DRIVE GEAR
8	334 2719 000	1	DRIVEN GEAR
7	334 1219 200	1	DRIVE GEAR
6			
5	334 8119 901	1	HOUSING. GEAR
4	391 2183 232	1	PLATE, MID
3	334 8119 901	1	HOUSING. GEAR
2	332 3000 100	1	HOUSING. PEC
1	334 5021 202	1	HOUSING. SEC

THIRD ANGLE PROJECTION



EXP NO.

FIRST USED

06 - 10 - 940

334 9122 264

SYM.

REVISIONS

THIS DOCUMENT CONTAINS INFORMATION THAT IS CONFIDENTIAL AND PROPRIETARY TO PARKER-HANNIFIN CORPORATION ("PARKER"). THIS DOCUMENT IS FURNISHED ON THE UNDERSTANDING THAT THE DOCUMENT AND THE INFORMATION IT CONTAINS WILL NOT BE COPIED OR DISCLOSED TO OTHERS OR USED FOR ANY PURPOSE OTHER THAN CONDUCTING BUSINESS WITH PARKER, AND WILL BE RETURNED AND ALL FURTHER USE DISCONTINUED UPON REQUEST BY PARKER. ALL RIGHTS RESERVED.

PGP511B0190AA1H2NJ7J5S-511A0190XJ7J5B1B1

MATERIAL

H.E.-STD:

ADM CTR P

REV DTE 000000

WT 7.5 kg

DIMENSIONS ARE MM

**Parker** Pump & Motor Division  
Chemnitz

DR.BY DATE CH.BY DATE SCALE  
WS 23OCT06 RZ 23OCT06 1/2

**334 9122 264**

© 2006 Parker Hannifin Corporation