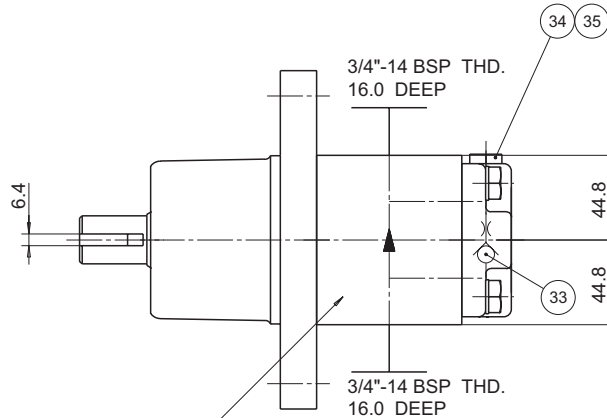
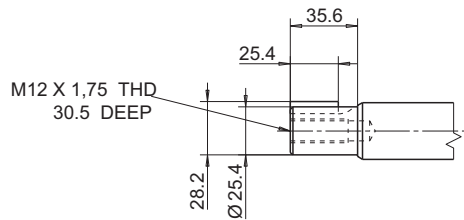
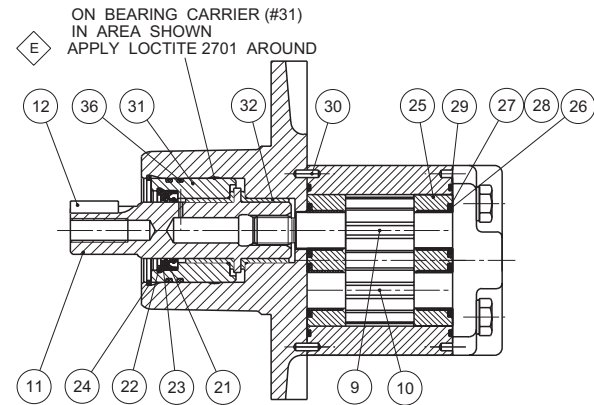


MOTOR DATA	
DISPLACEMENT	23,0 ccm
MAX. PRESSURE	190 bar
SPEED RATE	500 TO 3000 min <sup>-1</sup>
MAX. SHAFT SEAL PRESSURE	2 bar
ROTATION	ANTI CLOCKWISE



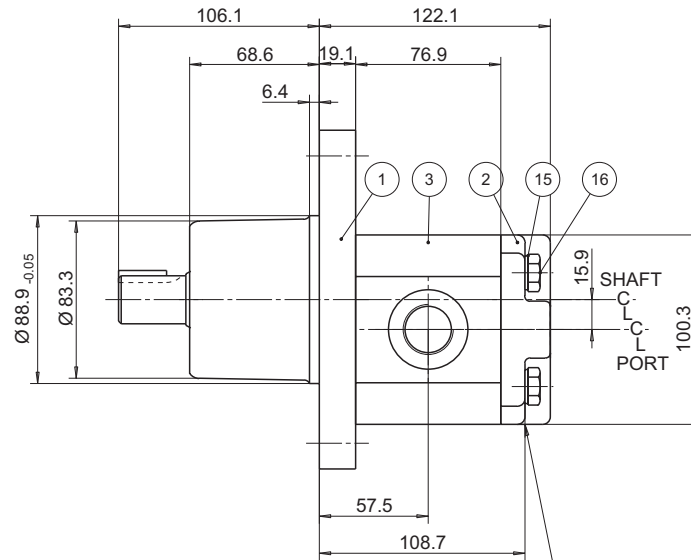
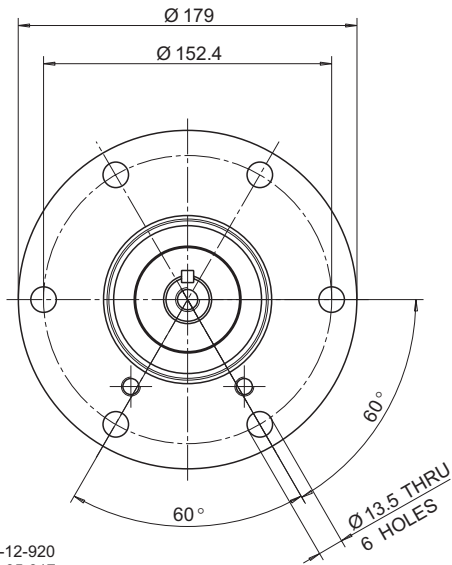
UNIT IDENTIFICATION  
ON GEAR HOUSING



**NOTE**

1 FOR ASSEMBLY INSTRUCTIONS SEE DWG. NO. "511-B2"  
"PGM511 MOTOR ASSEMBLY INSTRUCTIONS".

28	8301-016-0B9	4	SEAL. CHAN.	36	9313-135-00G	2	O-RING
27	8301-016-0AB	4	SEAL. CHAN.	35	9313-905-00C	1	O-RING
26	8301-015-006	2	SEAL. BK-UP	34	9163-224-ZPE	1	PLUG
25	391 2185 133	2	THRBLK/BSHG	33	8605-019-00N	1	CHECK, VALVE
24	9211-675-00J	1	RING, SNAP	32	9521-401-00H	2	FLANGED BUSH
23	9222-550-00A	1	WASHER	31	8664-002-00E	1	BRG. CARRIER
22	391 2681 569	1	RING, SNAP	30	391 2080 078	2	PIN. DOWEL
21	9411-409-00W	1	SEAL. LIP	29	9313-145-00B	2	SEAL. SECT.
ITEM	PART NO	REQD		ITEM	PART NO	REQD	

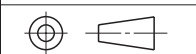


EXTERNAL DRAIN  
1/4"-19 BSP THD.  
12.0 DEEP

20							
19							
18							
17							
16	391 1401 634	4	SCREW (105 MM COATED)				
15	391 3782 231	4	WASHER				
14							
13							
12	9602-124-00D	1	KEY				
11	8861Q-004-00A	1	EXTENSION SHAFT				
10	334 2723 000	1	DRIVEN GEAR				
9	334 1123 001	1	DRIVE GEAR				
8							
7							
6							
5							
4							
3	334 8523 416	1	HOUSING. GEAR				
2	1PXC07B1B1C2B1K	1	HOUSING. PEC				
1	334 5059 205	1	HOUSING. SEC				
ITEM	PART NO	REQD		DESCRIPTION			

15DEC08 JS 08-12-920  
08MAY07 JS 07-05-917

THIRD ANGLE PROJECTION



EXP NO.

FIRST USED

07 - 01 - 914

9691J

E LOCTITE 2701 WAS 542

SYM. REVISIONS 04JAN10 WS 10-01-904

THIS DOCUMENT CONTAINS INFORMATION THAT IS CONFIDENTIAL AND PROPRIETARY TO PARKER HANFIN CORPORATION (PARKER). THIS DOCUMENT IS FURNISHED ON THE UNDERSTANDING THAT THE DOCUMENT AND INFORMATION WILL BE NOT COPIED OR DISCLOSED TO OTHERS OR USED FOR ANY PURPOSE OTHER THAN CONDUCTING BUSINESS WITH PARKER, AND WILL BE RETURNED AND ALL FURTHER USE DISCONTINUED UPON REQUEST BY PARKER. ALL RIGHTS RESERVED.

**PGM511D0230AZ5Z3NE5E5B1B1G2**

MATERIAL

H.E.-STD:

ADM CTR M  
REV DTE 04JAN10

WT

DIMENSIONS ARE MM

**Parker** Pump & Motor Division  
Chemnitz

DR. BY	DATE	CH. BY	DATE	SCALE
WS	10JAN07	JS	10JAN07	1/2

**9691J**

© 2010 Parker-Hannifin Corporation