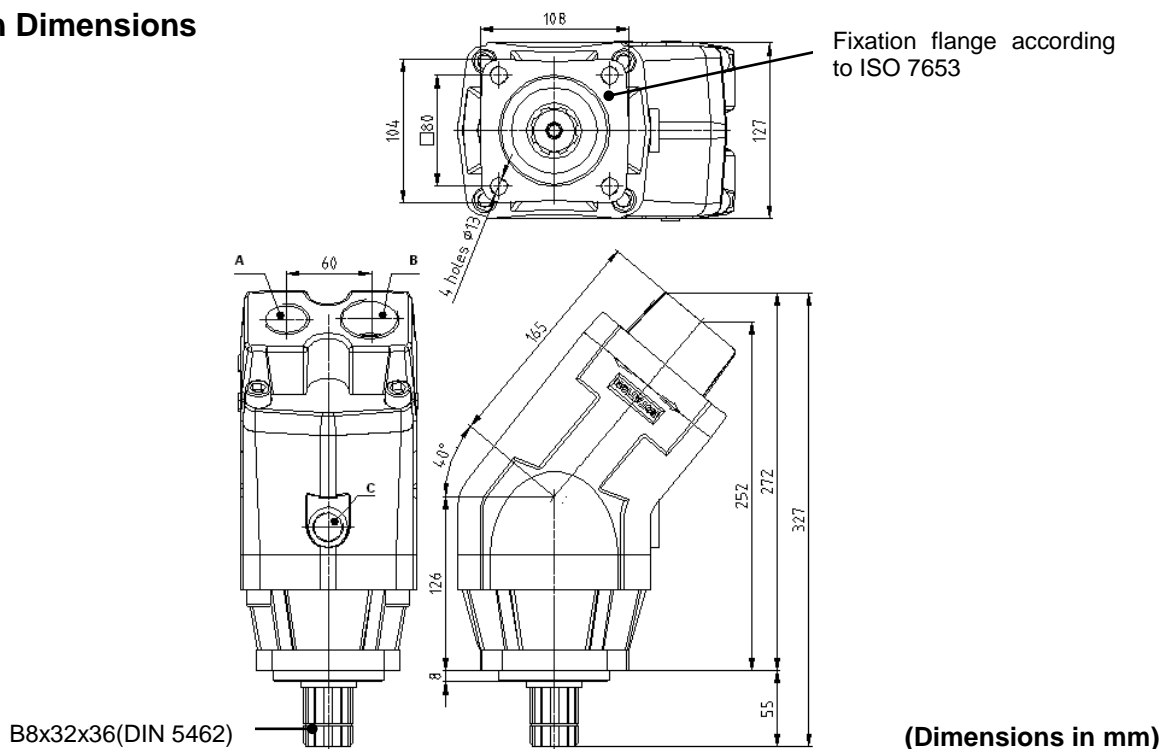


Main Dimensions



Main Data

Pumps BI	80P7	110P7	125P7	135P7
Displacement (cm ³ /rot.)	80	108	126	136
Operating pressure (bar) (up to)	350	350	300	250
Peak pressure (bar)	400	400	350	300
Operating rotation ¹ (rpm)	1800	1600	1500	1500
Max. rotation without load ¹ (rpm)	2000	1800	1700	1700
Weight (approx.) (kg)	13.0	13.4	13.6	13.8
Pistons quantity	7			
A-Oil outlet (DIN ISO 228)	1" BSP	1" BSP	1" BSP	1" BSP
B-Oil inlet (DIN ISO 228)	1 1/4" BSP	1 1/2" BSP	1 1/2" BSP	1 1/2" BSP
C	Drain hole			

How to order:

Example: Pump 80cm³/rot, operating pressure up to 350 bar; peak pressure 400 bar, ref. BI P → BI80P7

Fluids	mineral oils type ISO HM or DIN 51524-2 HLP
Recommended viscosity range	20 to 40 cSt (mm ² /s) at working temperature
Limits viscosity range	10 to 750 cSt (mm ² /s)
Start-up viscosity range, without load	750 to 1500 cSt (mm ² /s)
Filtration	10µm ISO4406 18/13
Inlet pressure range	0,8 to 2 bar abs

In the application of any of these pumps; the use of these data does not exempt the reading of the instruction "BI pumps recommendations before start-up"

¹ These values are valid at an absolute pressure of 1 bar in suction port when operating with a mineral oil at a viscosity of 30 mm²/s (cSt).

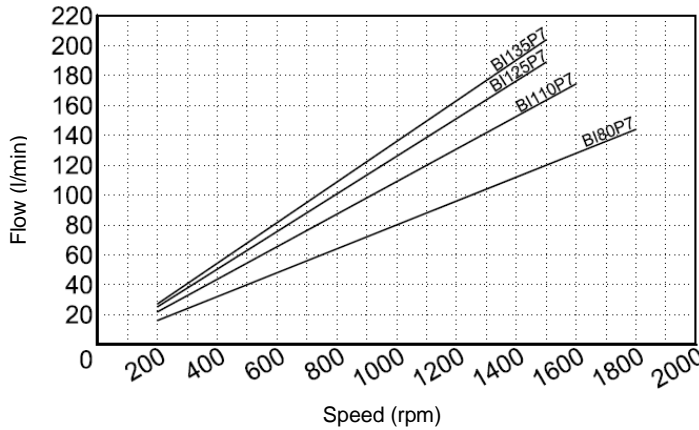
ABER is constantly engaged in improving its products and, therefore, reserves itself the right to modify without any further notice the characteristics shown



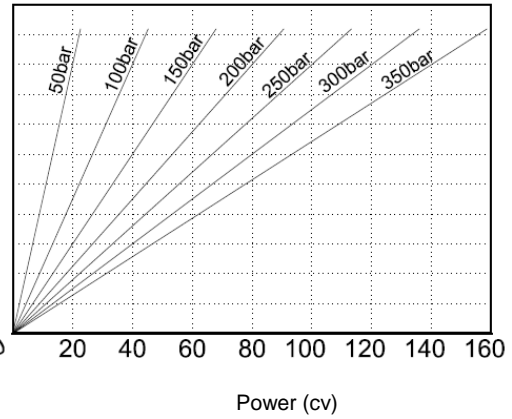
OIL-HYDRAULIC BENT PUMP AXIAL PISTONS

Ref. BI P7

**Diagram
Flow - Speed**



**Diagram
Input Power - Flow - Pressure**



Hose dimensions

Inlet Hose	
Flow (l/min)	Internal pipe diameter (inch)
30-40	1"1/4
50-60	1"1/2
70-90	1"3/4
100-120	2"
130-150	2"1/4
160-190	2"1/2
200-230	2"3/4

Outlet Hose					
Flow (l/min)	Internal pipe diameter (inch)				
	30	1/2"	1/2"	1/2"	1/2"
40	5/8"	1/2"	1/2"	1/2"	1/2"
50	5/8"	5/8"	5/8"	1/2"	1/2"
60	3/4"	5/8"	5/8"	5/8"	5/8"
70	1"	3/4"	3/4"	5/8"	5/8"
80	1"	3/4"	3/4"	3/4"	3/4"
90	1"	1"	1"	3/4"	3/4"
100	1"	1"	1"	1"	3/4"
110	1"	1"	1"	1"	1"
120	1"	1"	1"	1"	1"
130	1"	1"	1"	1"	1"
140	1"1/4	1"	1"	1"	1"
150	1"1/4	1"	1"	1"	1"
160	1"1/4	1"1/4	1"	1"	1"
170	1"1/4	1"1/4	1"	1"	1"
180	1"1/4	1"1/4	1"1/4	1"	1"
190	1"1/4	1"1/4	1"1/4	1"	1"
200	1"1/2	1"1/4	1"1/4	1"1/4	1"
210	1"1/2	1"1/4	1"1/4	1"1/4	1"1/4
	50-100	100-150	150-200	200-300	300-350
	P (bar)				

Important notes:

- To install one of these pumps, please consult and respect the instruction "BI pumps recommendations before start-up";
- Other axis available, please consult "Axel options".

ABER is constantly engaged in improving its products and, therefore, reserves itself the right to modify without any further notice the characteristics shown



ABER - Embraiagens e Comandos Hidráulicos - A. B. LDA
 Rua Francisco de Almeida, Nº 30 – Vila Nova da Telha – 4470 MAIA - Portugal
 Telefone: +351.22.9438070 Fax: +351.22.9420823 e-mail: aber@aber.pt <http://www.aber.pt>