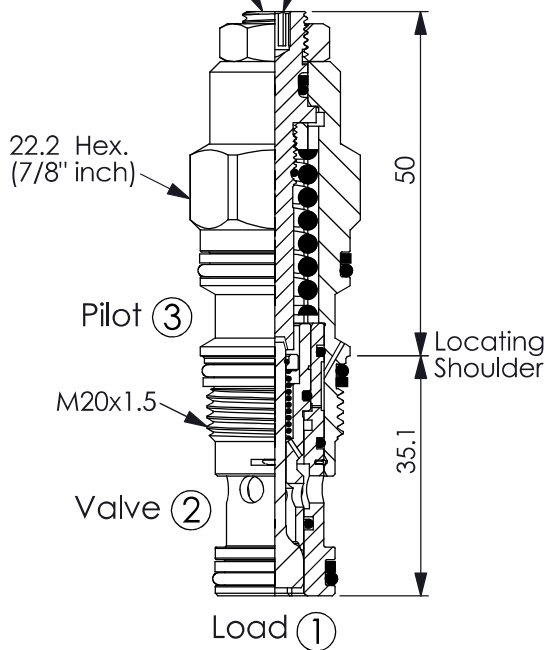


### COUNTERBALANCE VALVE

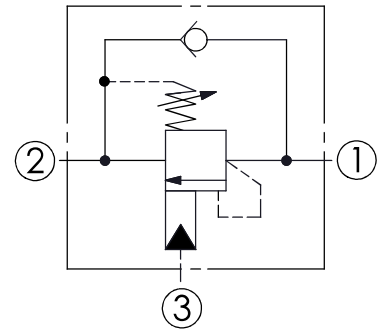
Ordering Code: **CB-11A-X-Y-Z**

Turn screw clockwise to reduce setting and release load. Complete adjustment range in 3 turns.

Control Option: Maximum extension from locating shoulder. (L Control shown)



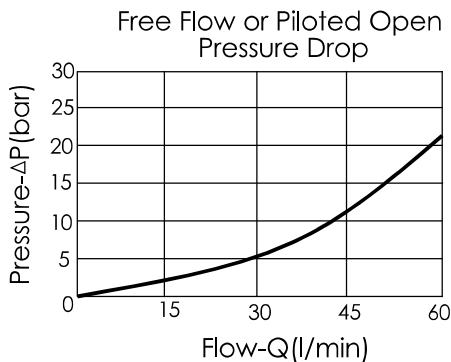
UNIT:mm



#### TECHNICAL DATA

Max. Setting:	<b>280</b>	bar
Rated flow:	<b>60</b>	l/min
Cavity-Tooling:	<b>11A-3</b>	
Installation torque:	<b>40-50</b>	Nm
Weight:	<b>0.16</b>	kg
Pressure Setting:		

Setting should be 1.3 times maximum load induced pressure.



#### X PILOT RATIO

<b>33</b>	<b>3 : 1</b>	<b>(Standard)</b>
<b>31</b>	<b>1.5 : 1</b>	<b>(Option)</b>
<b>3A</b>	<b>1.5 : 1 (with sealed pilot)</b>	<b>(Standard)</b>
<b>3C</b>	<b>3 : 1 (with sealed pilot)</b>	<b>(Option)</b>

#### Y SPRINGS

**ADJUSTMENT RANGES (2 bar Cracking Pressure)**

**H** 70 to 280 bar (210 bar Standard Setting)

**I** **25 to 105 bar (70 bar Standard Setting)**

**SPECIAL PURPOSES (0.3 bar Cracking Pressure)**

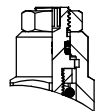
**A** 70 to 280 bar (210 bar Standard Setting)

**B** 25 to 105 bar (70 bar Standard Setting)

**E** 16 to 55 bar (25 bar Standard Setting)

#### Z OPTIONS

**L** Leakproof hex. socket screw.



**LP** Leakproof hex. socket screw. With Stainless Steel External Components



**C** Tamper Resistant Cover.

