

**OPERATION**

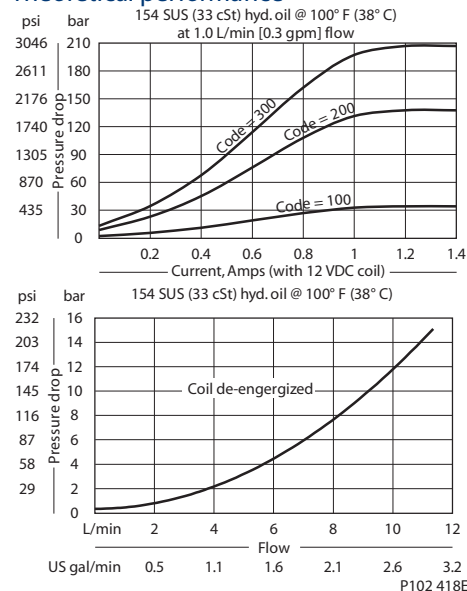
This valve is a direct acting, normally-open, proportional valve.

**SPECIFICATIONS**

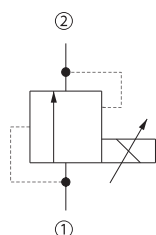
Specifications

<b>Rated pressure</b>	210 bar [3000 psi]
<b>Rated flow</b>	8 l/min [2 US gal/min]
<b>Weight</b>	0.48 kg [1.06 lb]
<b>Hysteresis</b>	10% maximum
<b>Threshold current</b>	0 A (12 VDC coil) 0 A (24 VDC coil)
<b>Maximum control current</b>	1.2 A (12 VDC coil) 0.6 A (24 VDC coil)
<b>Cavity</b>	SDC08-2
<b>Standard Coil</b>	D10 30 Watt
<b>Coil nut</b>	321978

Theoretical performance



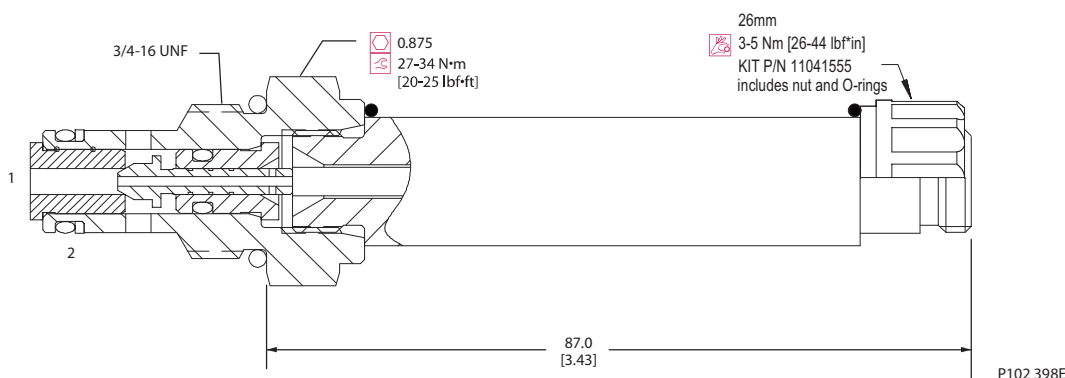
Schematic



**DIMENSIONS**

mm [in]

Cross-sectional view



**ORDERING INFORMATION**

CP558-20-B-0-300-12D-H

- CP558 - 20 - B - 6S - 300 - 24D - H
- Seals**  
B = Buna-N  
V = Viton
  - Housing and ports**  
0 = No Housing  
DG2B = AL, 1/4 BSP  
DG3B = AL, 3/8 BSP  
4S = AL, #4 SAE  
6S = AL, #6 SAE  
Other housings available
  - Housing P/N**  
No Housing  
SDC08-2-DG-2B  
SDC08-2-DG-3B  
CP08-2-4S  
CP08-2-6S
  - Termination**  
00 = No connector  
H = DIN 43650  
L = Lead wires  
DE = Deutsch  
M2 = Metripack 150 Type 1  
S = Spade
  - Voltage**  
000 = No coil  
12D = 12 VDC coil  
24D = 24 VDC coil
  - Pressure code**  
050 = 35 bar [500 psi] max  
100 = 69 bar [1000 psi] max  
200 = 138 bar [2000 psi] max  
300 = 207 bar [3000 psi] max

P102 412E