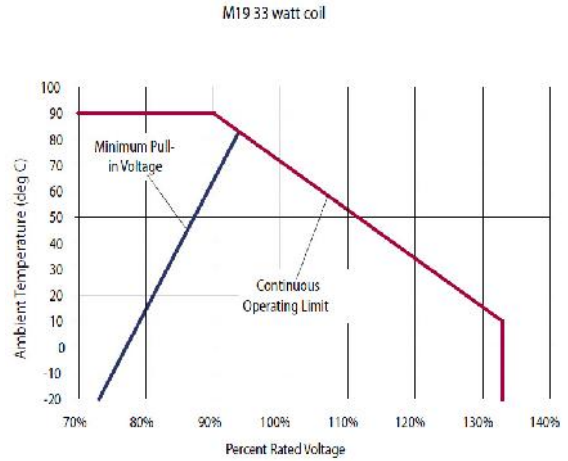


SPECIFICATIONS

- Duty cycle: 100% at 115% of rated voltage at 40°C [104° F]
- Magnet wire insulation: (200° C)
- Ambient temperature range: -20° to 40° C [-4° to 104° F]
- Environmental protection rating: IP65 (DN &FL), IP67 (AJ, AJD), IP69K (DE, DED)
- Input voltage range: 85% to 115% of rated voltage
- Temperature rise at 115% of rated voltage: 130° C [266° F] above ambient temperature
- Weight: 0.37 kg [0.82 lb]
- AC Coils require external rectifier



CL - Coils
M19

ELECTRICAL SPECIFICATIONS

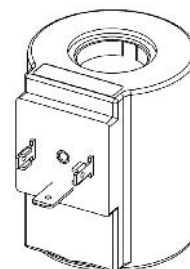
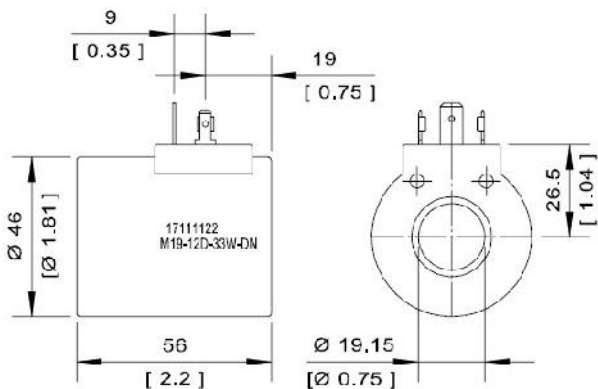
Voltage	12 VDC	24 VDC	110 VAC	220 VAC
Resistance (Ohms) @ 20° C [68F]	4.4	17	287	1190
Current draw (A) at 25° C [68° F]	2.76	1.38	0.337	0.163

TERMINALS

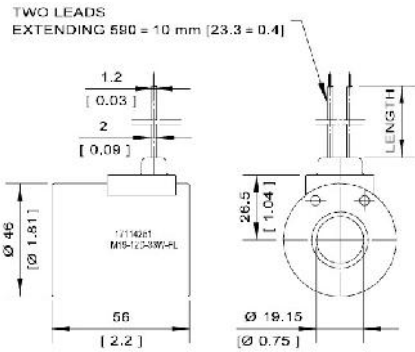
ISO 4400 (DIN 43650)
Code DN

Voltage	Power (W)	Part Number
12VDC	33	M19-12D-33W-DN
24VDC	33	M19-24D-33W-DN
110VAC*	33	M19-110RA-33W-DN
220VAC*	33	M19-220RA-33W-DN

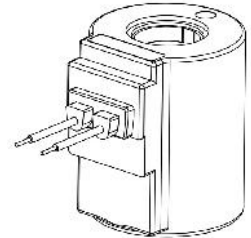
* External rectifier needed



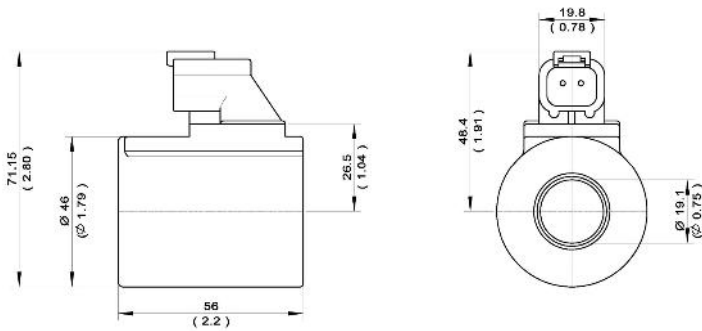
**LEAD WIRES
CODE FL**



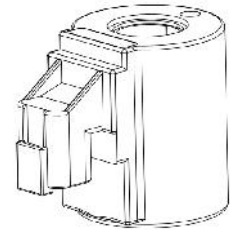
Voltage	Power (W)	Part Number
12VDC	33	M19-12D-33W-AJ
24VDC	33	M19-24D-33W-AJ



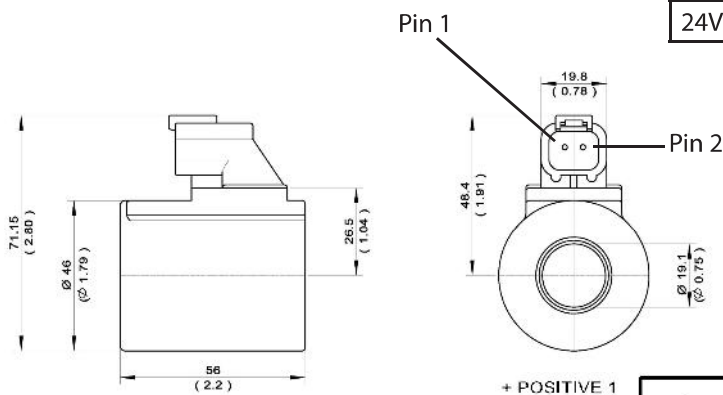
**DEUTSCH
CODE DE**



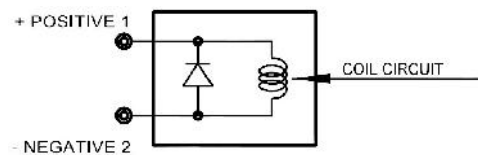
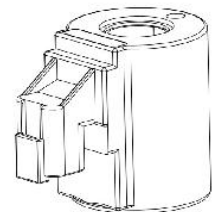
Voltage (V)	Power (W)	Part Number
12VDC	33	M19-12D-33W-DE
24VDC	33	M19-24D-33W-DE



**DEUTSCH WITH DIODE
CODE DED**



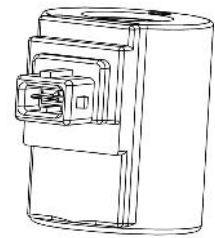
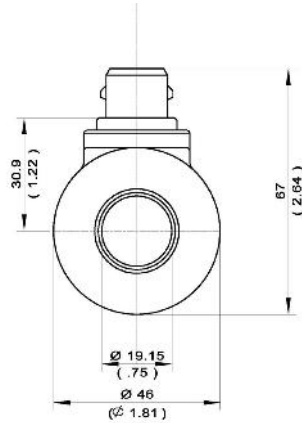
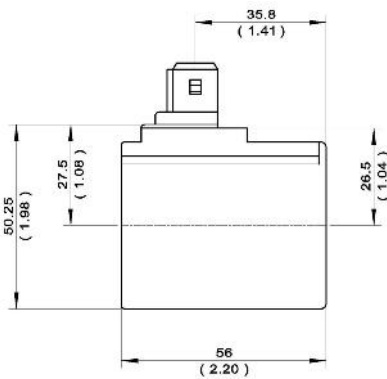
Voltage (V)	Power (W)	Part Number
12VDC	33	M19-12D-33W-DED
24VDC	33	M19-24D-33W-DED



CL - Coils
M19

**AMP JR.
 CODE AJ**

Voltage (V)	Power (W)	Part Number
12VDC	33	M19-12D-33W-AJ
24VDC	33	M19-24D-33W-AJ



**AMP JR. WITH DIODE
 CODE AJD**

Voltage (V)	Power (W)	Part Number
12VDC	33	M19-12D-33W-AJD
24VDC	33	M19-24D-33W-AJD

