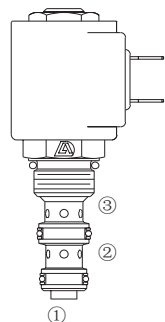
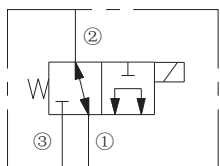


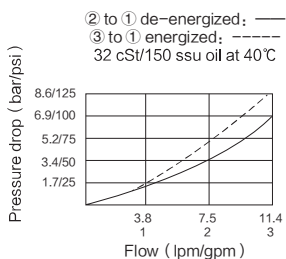
DASV08-31 Spool, 3-Way



ISO SYMBOL



PERFORMANCE (Cartridge Only)



DESCRIPTION

A solenoid-operated, three-way, direct-acting, spool-type, screw-in hydraulic cartridge valve.

OPERATION

When de-energized, DASV08-31 allows flow from 2 to 1, while blocking flow at 3. When energized, the valve's spool shifts to open from 1 to 3, while blocking at 2. While port 1 may be fully pressurized, it is not intended to be used as the inlet. Operation of Manual Override Option: To override, push button in and twist counterclockwise 180°. The internal spring will push the button out. In this position, the valve may be only partially shifted. To assure full override shift, pull the button out to its fullest extension and hold it in this position. To return to normal valve function, push button in, twist clockwise 180° and release. Override will be detented in this position.

FEATURES

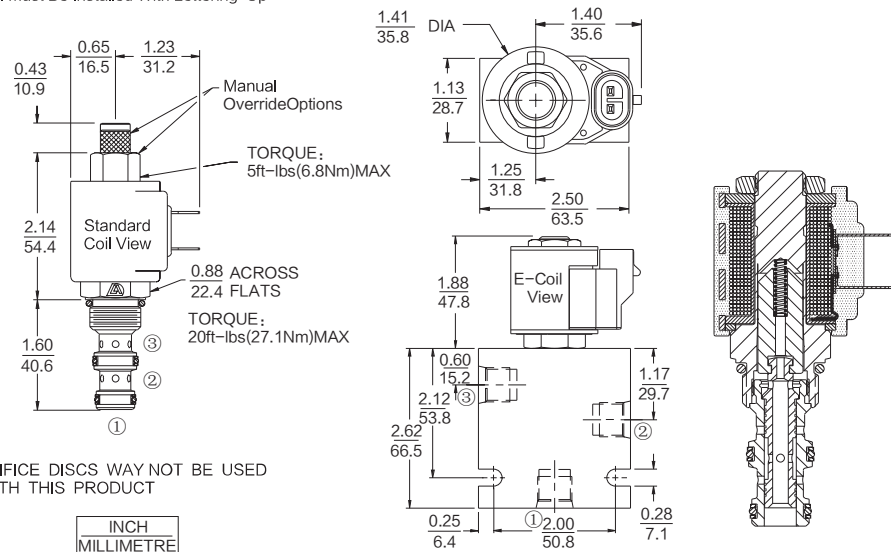
- Continuous-duty rated solenoid.
- Hardened precision spool and cage for long life.
- Optional coil voltages and terminations.
- Efficient wet-armature construction.
- Cartridges are voltage interchangeable.
- All ports may be fully pressurized.
- Manual Override Options.
- Optional waterproof E-Coils rated up to IP69K.
- Unitized, molded coil design.
- Compact size.

RATINGS

**Operating Pressure:** 207 bar (3000 psi)  
**Flow:** See Performance Chart; Note: Under certain operating conditions this valve may be rated for higher flow. Consult factory.  
**Internal Leakage:** 82 cc/minute (5 cu. in./minute) max. at 207 bar (3000 psi)  
**Temperature:** -40°C to 120°C, with Buna N seals  
**Coil Duty Rating:** Continuous from 85% to 115% of nominal voltage  
**Response Time:** First indication of change of state with 100% voltage supplied at 80% of nominal flow rating; Energized: 30 ms; De-energized: 25 ms  
**Initial Coil Current Draw at 20°C:**  
**Standard Coil:** 1.2 A at 12 VDC; 0.13 A at 115 VAC (full wave rectified).  
**E-Coil:** 1.4 amps at 12 VDC; 0.7 amps at 24 VDC  
**Minimum Pull-In Voltage:** 85% of nominal at 207 bar (3000 psi)  
**Fluids:** Mineral-based or synthetics with lubricating properties at viscosities of 7.4 to 420 cSt (50 to 2000 ssu)  
**Cavity:** T08-3A; See page 297.

DIMENSIONS

Coil Must Be Installed With Lettering Up



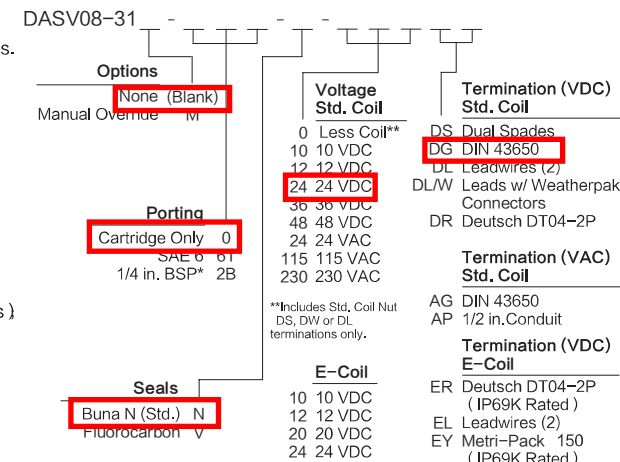
ORIFICE DISCS WAY NOT BE USED WITH THIS PRODUCT

INCH MILLIMETRE

MATERIALS

**Cartridge Weight:** 0.13kg (0.28lbs); Steel with hardened work surfaces. Zinc-plated exposed surfaces; Buna N O-rings and back-ups standard.  
**Standard Ported Body Weight:** 0.27kg (0.60lbs); Anodized high strength 6061 T6 aluminum alloy, rated to 240 bar (3500 psi); Ductile iron bodies available; dimensions may differ.  
**Standard Coil Weight:** 0.11kg (0.25lbs); Unitized thermoplastic encapsulated, Class H high temperature magnet wire.  
**E-Coil:** Weight: 0.14kg (0.3lbs); Fully encapsulated with rugged external metal shell. Rated up to IP69K with integral connectors.

TO ORDER



Coils with internal diode are available. Consult factory.

DASV08-31