

STANDARD "D" TYPE COILS

DESCRIPTION

Standard coil data D-Type coil 1/2" I.D.

FEATURES

One piece water resistant encapsulated design.

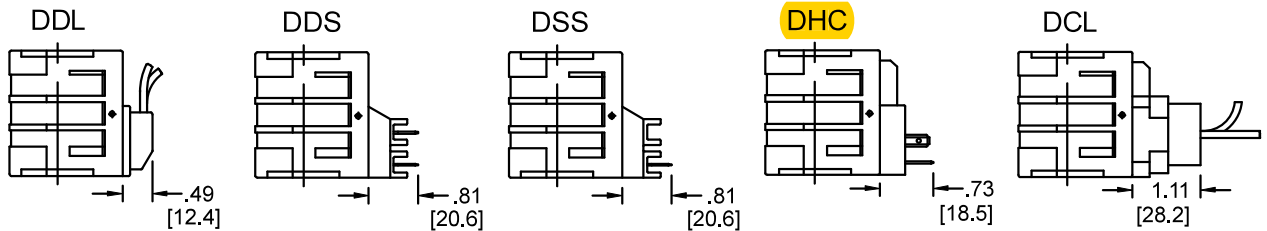
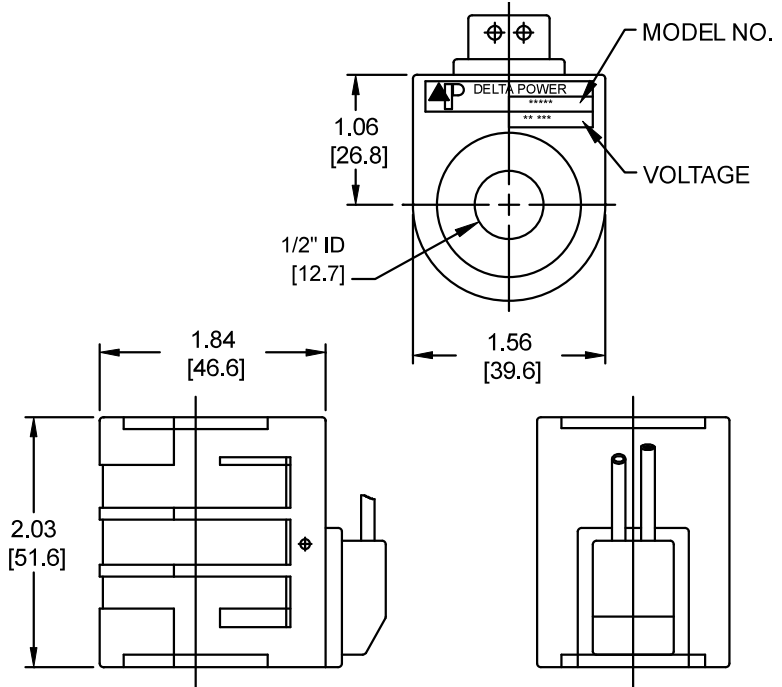
Numerous terminals and voltages.

Heavy gauge color coded lead wire.

Each coil is reversible (can be installed on cartridges in both directions with equal efficiency).

Note:

For coil selection in extreme conditions, please look at our "I" coil line of environmental coils.

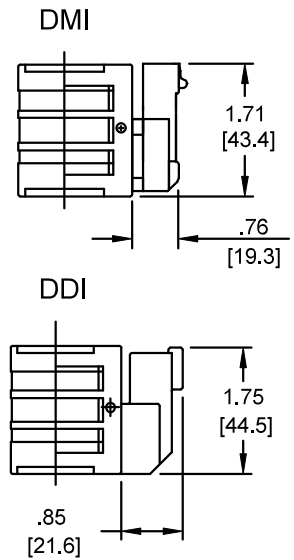


ORDERING INFORMATION

WHEN ORDERING
FILL IN ALL BOXES

Approximate Coil Weight: .72 lbs (.32 kg)

BASIC MODEL NO.	TERMINATION	VOLTAGE
(ALL COILS DC VOLTAGE EXCEPT AS NOTED)		
D-Type One Piece Encapsulated Coil	DL Double Lead	06 6VDC
	DT Deutsch on Leads DT04-2P	12 12VDC
	DI Deutsch - Integral DT04-2P	24 24VDC
	ML Metri-Pack on Leads (12162000)	36 36VDC
	MI Metri-Pack - Integral (12162000)	48 48VDC
	PL Packard on Leads (150 Series)	25 24VAC
	WL Weatherpack on Leads (12010972)	11 110VAC
	SS Single Spade	13 125VAC
	DS Double Spade	22 220VAC
	HC DIN 43650 (Hirschman) - (AC/DC)	23 250VAC
	CL Conduit Lead - (AC ON LY)	44 440VAC
22 WATT STD. COIL		



WARNING: the specifications/application data shown in our catalogs and data sheets are intended only as a general guide for the product described (herein). Any specific application should not be undertaken without independent study, evaluation, and testing for suitability.

STANDARD "D" TYPE COILS

COIL MODEL NUMBERS:

Termination	DDL	DSL	DDS	DSS	DHC	DCL		
Description	Double Lead	Single Lead	Double Spade	Single Spade	Hirschmann Connector	Double Lead Conduit	Lead Wire Color	AC Voltage Range
Voltage Amp	6VDC 3.7	6VDC 3.7	6VDC 3.7	6VDC 3.7	6VDC 3.7		ORANGE	
Voltage Amp	12VDC 1.8	12VDC 1.8	12VDC 1.8	12VDC 1.8	12VDC 1.8		YELLOW	
Voltage Amp	24VDC .90	24VDC .90	24VDC .90	24VDC .90	24VDC .90		BLUE	
Voltage Amp	36VDC .62	36VDC .62	36VDC .62	36VDC .62	36VDC .62		GREEN	
Voltage Amp	48VDC .47	48VDC .47	48VDC .47	48VDC .47	48VDC .47		BROWN	
Voltage Amp			24VAC 1.2		24VAC 1.2	24VAC 1.2	BLUE/ BLACK	
Voltage Amp					110VAC *.23	110VAC *.23	RED/ WHITE	* 100VAC 115VAC
Voltage Amp					125VAC *.17	125VAC *.17	RED	* 115VAC 130VAC
Voltage Amp					220VAC *.11	220VAC *.11	BLACK/ WHITE	* 200VAC 230VAC
Voltage Amp					250VAC *.10	250VAC *.10	VIOLET/ WHITE	* 225VAC 260VAC
Voltage Amp					440VAC *.05	440VAC *.05	VIOLET	* 400VAC 460VAC

SPECIFICATIONS

WATTAGE: 22 watts nominal.

DUTY RATING: continuous duty ±10% rated voltage at 120°F (49°C) ambient.

MINIMUM CURRENT FOR ACTUATION: 80% of rated current at room temperature.

MAGNET WIRE CLASS: N for all voltages.

TEMPERATURE RANGE: -40°F (-40°C) to 392°F (200°C)

LEAD WIRES: 18 gauge, 24" long, 600 Volt rating, with strain relief.

ENCAPSULATING MATERIAL: glass filled polyester, resistant to moisture, caustic solutions, fungus and vibration.

Material temperature range is -40°F (-40°C) to 392°F (200°C).

COLOR IDENTIFICATION: black

NOTE: Delta Power A.C. Coils incorporate integrally molded full wave rectifiers which are rated for reverse voltage peaks of 1000 volts maximum.

A.C. Coils are rated 50/60 HZ.

* Optimum operating voltage noted.

Conduit connectors on A.C. coils have a maximum torque spec of 3 Ft. Lbs.

Arc Suppression Diode Available

W/10/2017

WARNING: the specifications/application data shown in our catalogs and data sheets are intended only as a general guide for the product described (herein). Any specific application should not be undertaken without independent study, evaluation, and testing for suitability.