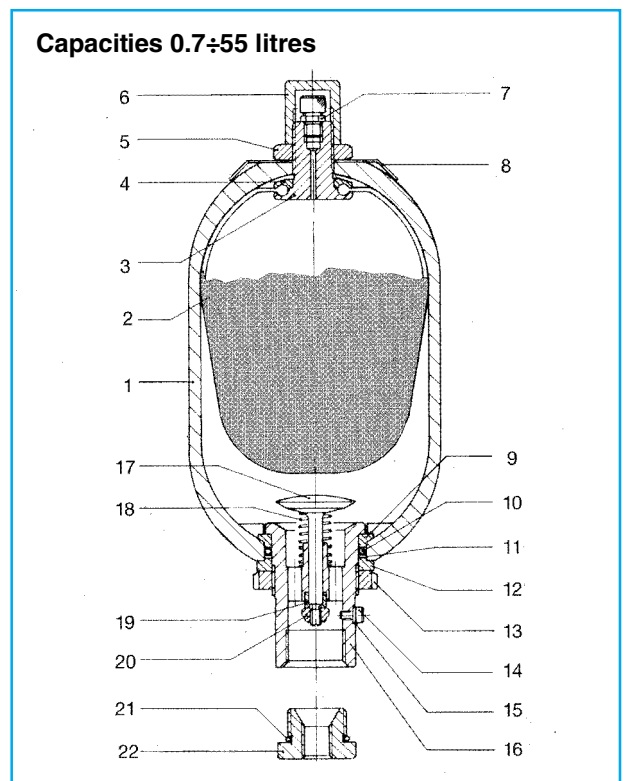
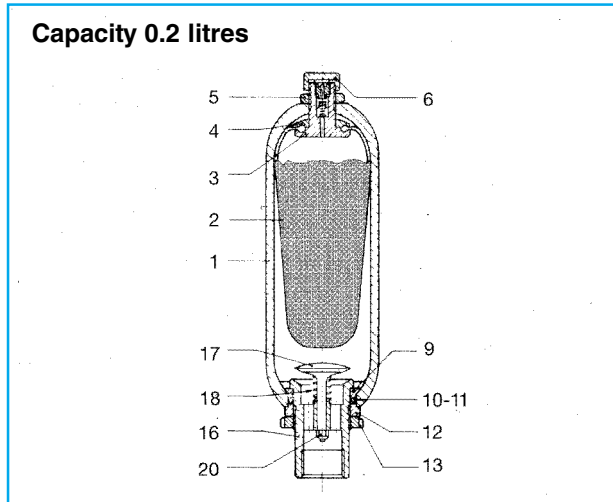


4.4 Components and spare parts

Table 4.4.1 provides a list of accumulator components and, for each model, the part number to be used when ordering spare parts: **THIS NUMBER IS VALID FOR STANDARD VERSIONS ONLY.**

For all versions differing from standard it is necessary to give the **manufacturer's serial number and the material.**

The bladder must be ordered according to the instructions provided on Page 37 or giving the accumulator identification code or manufacturer's serial number.



4.4.1 Spare parts list and part number

Item	Description	Pcs.	Models					AS 10-15-20 25-35-55
			AS 0,2	AS 0,7	AS 1 - 1,5	AS 3	AS 5	
1	Accumulator shell	1	Not supplied as spare part					
2	Bladder	1	See detailed designation on Pages 36-37					
3	Gas valve body	1	2001	10107		10202	10333	
4	Rubber-coated washer	1	10024	10104	10106	10205	10334	
5	Gas valve locknut	1	10023	10109			10302	
6	Protection cap	1	10337	10103			10301	
7	Gas-fill valve	1	–	2072				
8	Name plate	1	–	10300-A	10300-B		10300-C	10300-D
9	Retaining ring	1	10035	10123	10127	10146	10222	10317
10	“O” ring	1	OR4112	OR4150		OR159	OR6212	OR181
11	Supporting ring	1	10038	10133		10150	10227	10320
12	Space ring	1	10037	10120		10145	10223	10319
13	Fluid port ring nut	1	10039	10122		10217		10321
14	Bleed screw	1	–	10128				10316-A
15	Seal ring	1	–	10129				10336-A
16	Fluid port body	1	10031	10115		10144		10311
17	Poppet	1	10028	10111		10221		10310
18	Spring	1	10029	10112		10149		10322
19	Brake bushing	1	–	10113		10226		10314
20	Selflocking nut	1	10033	10116		10211		10315
21	Adapter “O” ring	1	–	OR2093		OR3150		OR3218
22	Adapter	1	–	10131/Ø thread		10233/Ø thread		10323/Ø thread
Gas valve assembly (parts 3-4-5-6-7)		1	2002	2021	2022		2042	2062
Fluid port assembly (parts 9 ÷20)		1	2004	2023	2024	2025	2044	2064
Gasket sets		1	2010 { OR2050 10341 10342 OR4112 10038	2030 { OR2050 10341 10342 OR4150 10133 10129 OR2093	2031 { OR2050 10341 10342 OR159 10149 10129 OR3150	2050 { OR2050 10341 10342 OR6212 10227 10129 OR3150	2080 { OR2050 10341 10342 OR181 10320 10336 OR3218	

Subject to change