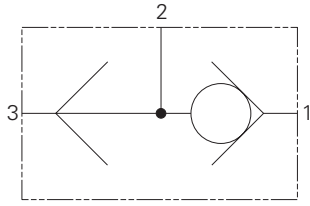


1SH10 - Shuttle Valve

Ball type

20 L/min (5 USgpm) 350 bar (5000 psi)



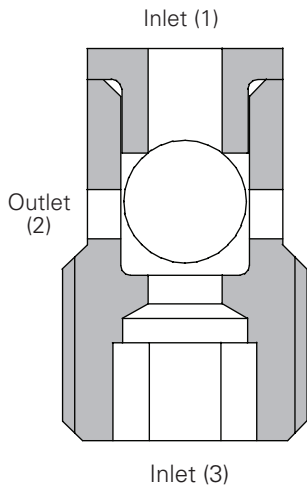
Operation

When a higher pressure is sensed at inlet 1 than at inlet 2 the ball within the cartridge is forced against a seat opening the higher pressure to outlet. When the higher pressure appears at inlet 2 the ball is forced against the other seat which blocks inlet 1 and opens up inlet 2 to outlet.

Features

Cartridge design enabling speedy servicing when mounted in a body or in a composite manifold.

Sectional View



Performance Data

Ratings and Specifications

Figures based on: Oil Temp = 40°C Viscosity = 32 cSt (150 SUS)

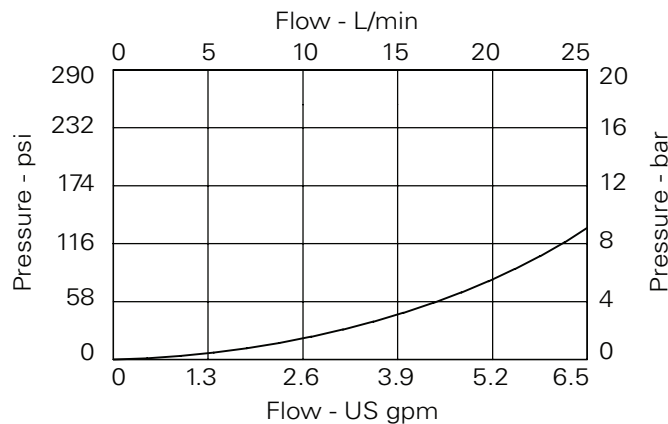
Rated flow	20 L/min (5 USgpm)
Max Pressure	350 bar (5000 psi)
Cartridge Material	Working parts hardened and ground steel. External steel surfaces zinc plated.
Mounting position	Unrestricted
Cavity Number	A16927 (See Section M)
Torque Cartridge into Cavity	8-10 Nm (Use Loc-Tite 542)
Weight	0.05 kg (0.11 lbs)
Recommended Filtration level	BS5540/4 Class 18/13 (25 micron nominal)
Operating Temp	-30°C to +90°C (-22° to +194°F)
Leakage	0.6 milliliters/min max
Nominal Viscosity Range	5 to 500 cSt

G

Description

This valve provides a means of sensing the higher pressures between two lines on a hydraulic circuit allowing this line to be used for an auxiliary function such as the removal of a mechanically applied brake, the operation of a gauge or to give a remote pressure sensing line for the control of a separate valve.

Pressure Drop



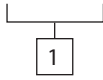
1SH10 - Shuttle Valve

Ball type

20 L/min (5 USgpm) 350 bar (5000 psi)

Model Code

1SH10

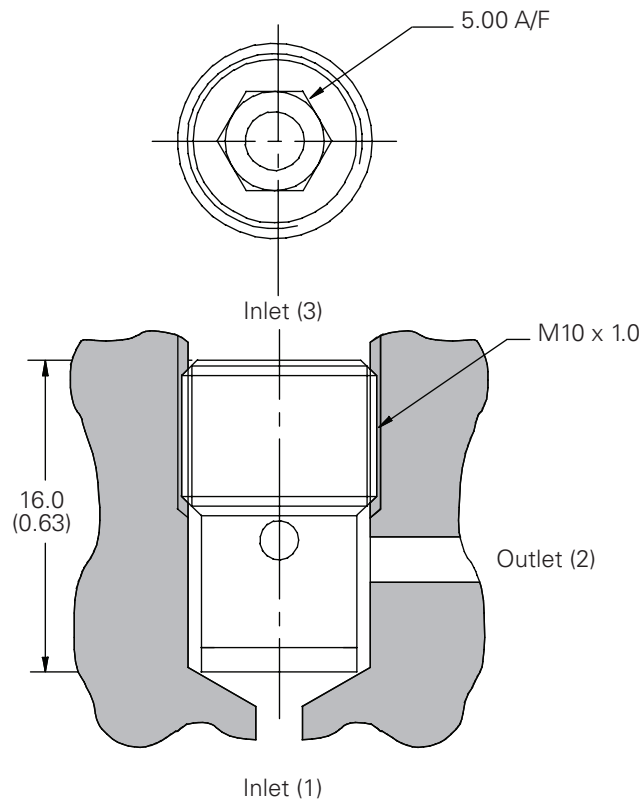


1 Basic Code
1SH10 - Cartridge Only

Dimensions

mm (inch)

Cartridge Only
Basic Code
1SH10



Note: Using LOC-TITE 542,
torque cartridge to 8-10 Nm
against the bottom of the
cavity.