

**SOLENOIDS FOR HYDRAULICS**

**EMSG-45X**

**APPLICATION:**

Control of hydraulic distributors in power hydraulic circuits.

**TECHNICAL DESCRIPTION:**

EMSG-45X is supplied with direct current and operates in hydraulic oil environment.

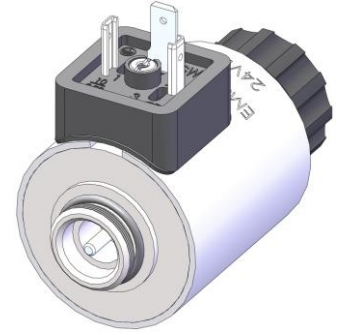
Mode of operation – “pushing”.

The manufacturing programme includes a wide range of voltage configurations.

By default, the solenoid is equipped with a manual control button (emergency control).

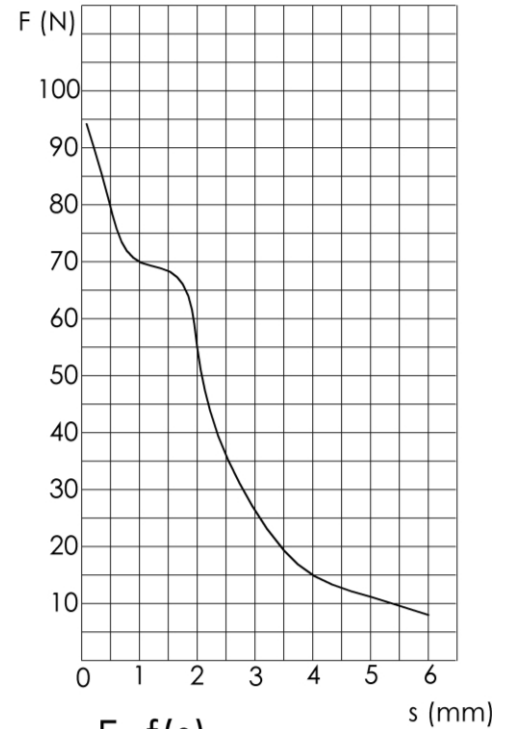
The spool is made of metal, powder-coated.

Complete pole tube is protected against corrosion by electrolytic zinc coating.



**SPECIFICATION:**

Rated power	[W]	30
Stroke	[mm]	6,0
Work time	[%] ED	100
Type of duty		pushing
Working environment		oil
Start force	[N]	8
Max working oil pressure	[MPa]	21
Max ambient temperature	[°C]	+50
Voltage configurations	[VDC]	12;21;24;42;48;60 96;110;125;206;220
Mounting dimensions		M20 x 1
Weight	[kg]	0,55
Coil opening diameter	[mm]	∅ 23
Coil length	[mm]	50
Overall dimensions	[mm]	∅45 x 85
Type of electric connector		DIN 43650A



$F=f(s)$   
 $I_p=0,857$  Istab.

Solenoids may also be custom manufactured according to parameters defined by the Customer. The socket plug is available at additional request.

**AVAILABLE SPARE PARTS:**

1. coil 45X,
2. pole tube complete 45X,
3. nut 45X.

