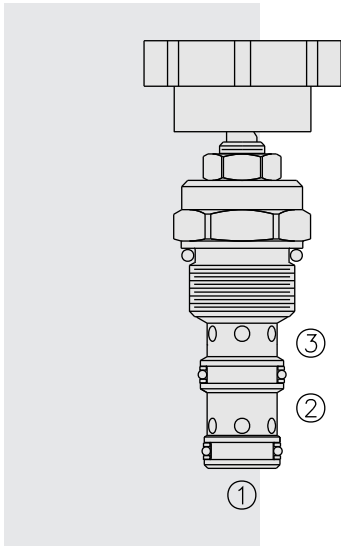


FR10-39 Flow Regulator, Pressure Compensated



DESCRIPTION

A screw-in, cartridge-style, adjustable orifice, pressure-compensated, manually-operated, bypass-type hydraulic flow regulating valve. It can be used as a priority-type flow regulator or a restrictive-type 2-way flow regulator when the bypass port (port 2) is blocked.

OPERATION

The **FR10-39** maintains a constant flow rate from 3 regardless of load pressure changes in the system downstream of 3, or in the bypass leg at 2. Reverse flow (3 to 1) bypasses the control orifice.

The regulated flow increases from closed to fully open, with counter-clockwise rotation of the knob.

Note: When used as a bypass flow control in applications where the priority flow port will be blocked by external valving, bypass pressure drop will increase unless a small amount of leakage is provided for the priority port. Consult factory.

FEATURES

- Bypass port 2 may be fully pressurized.
- Fine low-torque adjustment.
- Hardened steel parts for long life.
- Quiet, modulated response.
- Industry common cavity.

RATINGS

Operating Pressure: 240 bar (3500 psi)

Flow Rate: 3-ported regulated flow: 0–38 lpm (0–10 gpm)
2-ported regulated flow: 0–34 lpm (0–9 gpm)

Note: For lower flow rates, see the FR10-33 valve (page 5.372.1)

Input Flow: 3-ported: 0–38 lpm (0–10 gpm) nominal; 0–57 lpm (0–15 gpm) max.

Internal Leakage: 33 cc/minute (2 cu. in./minute) at 207 bar (3000 psi)

Adjustment Torque Required: 1.7 Nm (15 inch-pounds) at 207 bar (3000 psi)

Temperature: -40 to 100°C (-40 to 212°F) with Buna N seals;
-26 to 204°C (-15 to 400°F) with fluorocarbon seals.

Filtration: See page 9.010.1

Fluids: Mineral-based or synthetics with lubricating properties at viscosities of 7.4 to 420 cSt (50 to 2000 sus); See Temperature and Oil Viscosity, page 9.060.1

Installation: No restrictions; See page 9.020.1

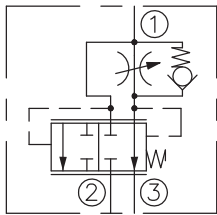
Cavity: VC10-3; See page 9.110.1

Cavity Tool: CT10-3XX; See page 8.600.1

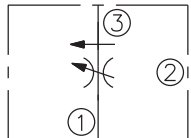
Seal Kit: SK10-3X-MM; See page 8.650.1

Knob Kit: Part Number 6113160

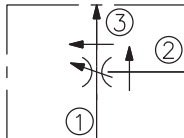
ISO SYMBOLS



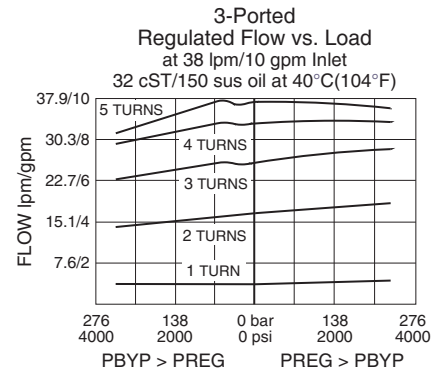
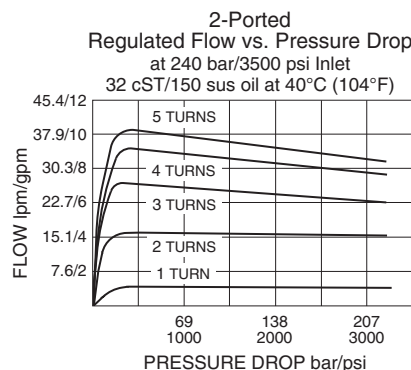
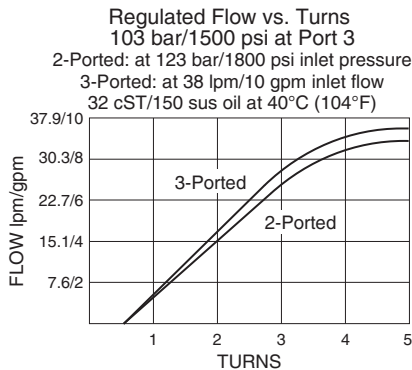
2-Ported:



3-Ported:

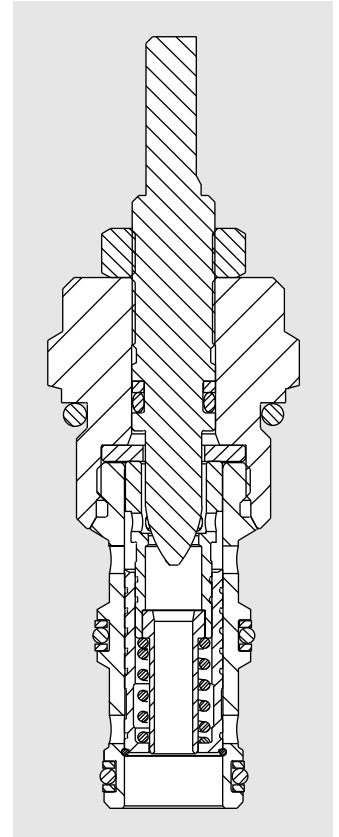
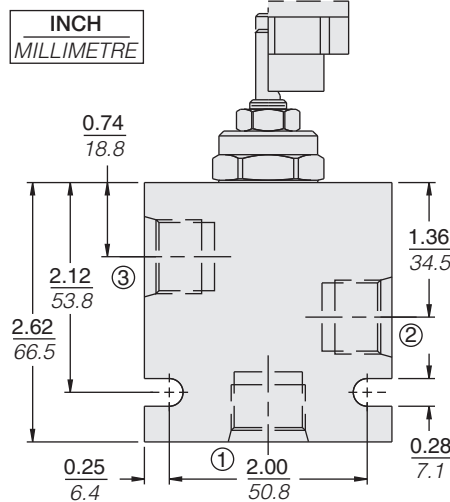
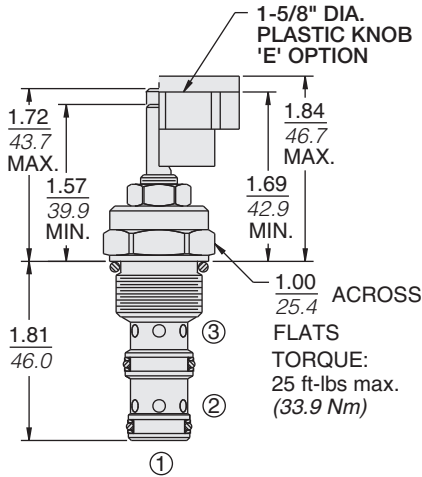
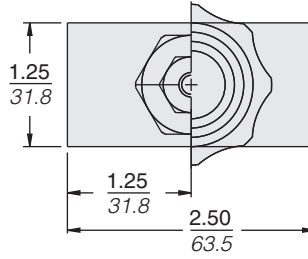
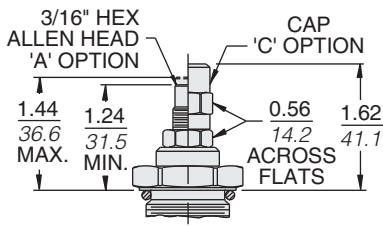


PERFORMANCE (Cartridge Only)



FR10-39

DIMENSIONS



MATERIALS

Cartridge: Weight: 0.30 kg. (0.68 lbs.) Steel with hardened work surfaces. Zinc-plated exposed surfaces. Buna N O-rings and polyester elastomer back-ups standard.

Standard Ported Body: Weight: 0.36 kg. (0.80 lbs.) Anodized high-strength aluminum alloy, rated to 207 bar (3000 psi). Ductile iron bodies available; dimensions may differ. See page 8.010.1

TO ORDER **FR10-39C-0-N / X ltr**

FR10-39		-	-	-	-	-	-
Adjustment Option	Blank						
Extended Shaft Only	A						
3/16" Hex Allen Head	C						
Option 'A' w/Cover Cap	E						
Plastic Knob							
Porting							
Cartridge Only	0						
SAE 6	6T						
SAE 8	8T						
1/4 in. BSP*	2B						
3/8 in. BSP*	3B						
*BSP Body; U.K. Mfr. Only							
		Seals					
		Buna N (Std.)	N				
		Fluorocarbon	V				
		Polyurethane	P				
		Flow Setting					
		(Blank)					
		Factory Set at					
		4 to 5 gpm					
		Specify, for example:					
		Setting in lpm					
		Specify, for example:					
		M4.0					4.0 lpm
		M12.0					12.0 lpm etc.
		Setting in gpm					
		Specify, for example:					
		1.5					1.5 gpm
		7.5					7.5 gpm etc.