

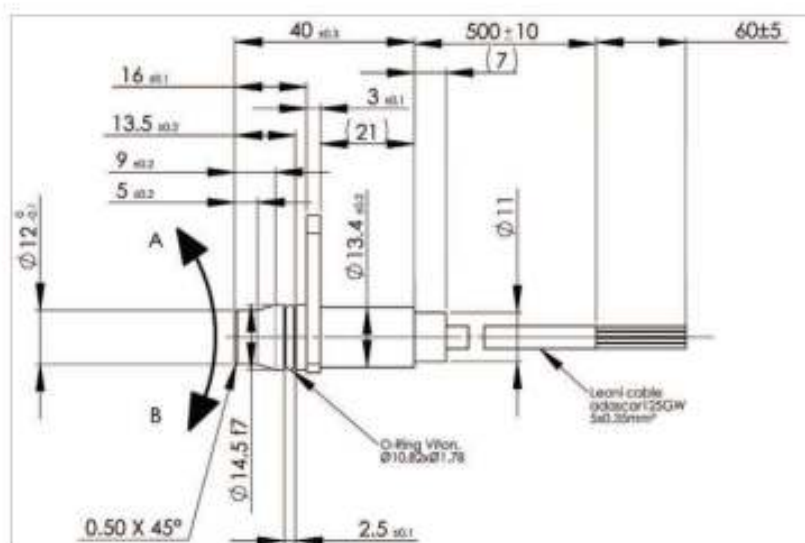
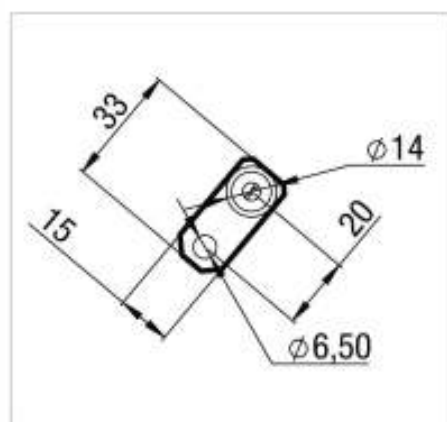


INSTRUCTIONS

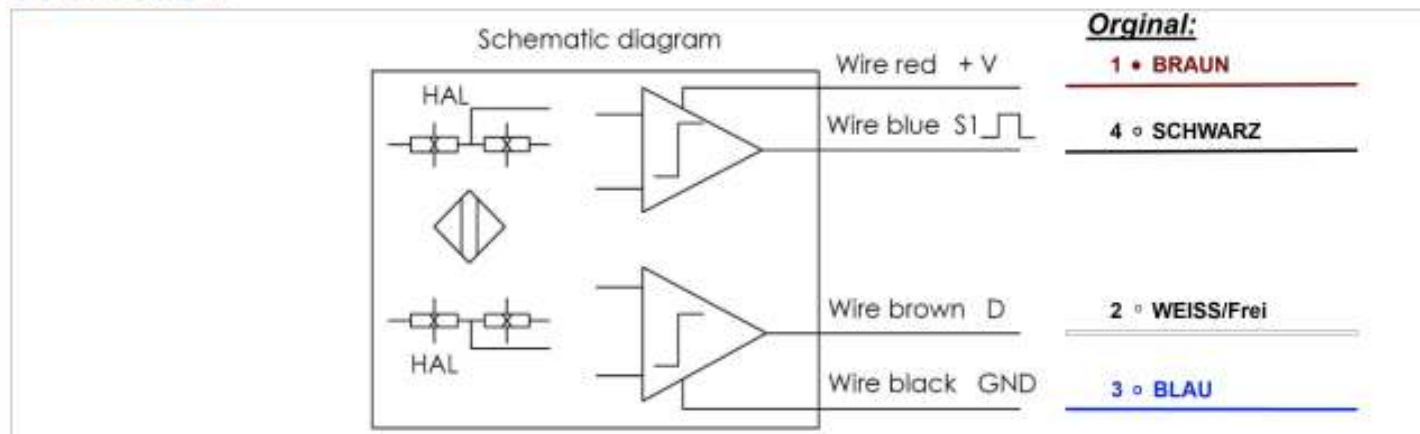
GENERAL FUNCTION

The Hydro Leduc speed sensors ref 093327 are suitable, in conjunction with a pole wheel, for generating a square wave signal proportional to rotary speed and a direction indicating signal. They have a static behaviour, so that pulse generation is guaranteed down to a speed corresponding to a frequency of 0 Hz. The sensing element is a magnetically biased differential Hall effect semiconductor. The differential structure requires that the sensor must be oriented. The sensors have a flange for proper installation.

DIMENSIONS



CONNECTION



PULSE DIAGRAM

