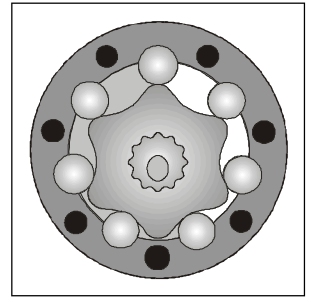
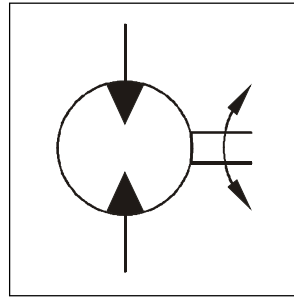


**Performance**

**Torqmotor  
Series TG**

Drehzahl Speed Vitesse de rotation Velocità di rotazione	5...710 rev/min
Schluckstrom Oil flow Débit d'huile Portata	max. 115 l/min
Eingangsdruck Supply pressure Pression entrée Pressione in entrata	max. 300 bar
Drehmoment Torque Couple Coppia	max. 1490 Nm
Seitenlast Side load Charges latérales Carico radiale	max. 16.000 N

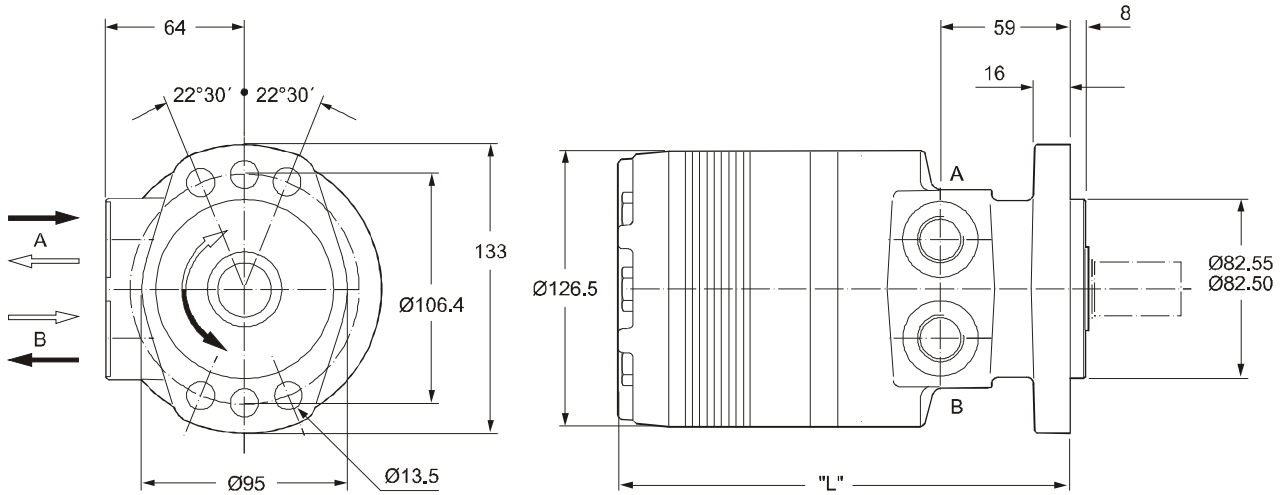


Motor series TG	Geor. Geor. Cylindr. displacement cm <sup>3</sup> /U cm <sup>3</sup> /tr cm <sup>3</sup> /giro	Max. Vites. Velocità cont / int U/min rev/min tr/min giri/min	Max. Débit. Portata max cont / int l/min	Max. Chut. Caduta cont / int bar	Max. Press. Pression max bar	Max. Max. Coup. Coppia cont / int Nm	Max. Max. Puls. Potenza cont / int max. KW	Min. Min. Coup. Coppia min. di spunto cont / int Nm
TG 140	140	530/710	75/100	200/280	300	400/ 545	33	320/436
TG 170	169	440/575	75/100	200/280	300	485/ 670	33	388/536
TG 195	195	380/510	75/100	200/280	300	560/ 770	33	448/616
<b>TG 240</b>	237	320/420	75/100	200/280	300	685/ 945	32	548/756
TG 280	280	270/350	75/100	200/280	300	800/1100	31	640/880
TG 335	337	225/290	75/100	200/280	300	980/1350	30	784/1080
TG 405	405	185/245	75/100	170/240	300	960/1350	27	768/1080
TG 475	476	160/240	75/115	140/200	300	960/1400	28	768/1120
TG 530	529	140/215	75/115	140/170	300	1050/1280	23	840/1024
TG 625	624	120/185	75/115	120/160	300	1040/1360	20	832/1088
TG 785	786	95/145	75/115	100/140	300	1150/1490	17	920/1192
TG 960	958	78/119	75/115	70/100	300	925/1390	12	740/1112

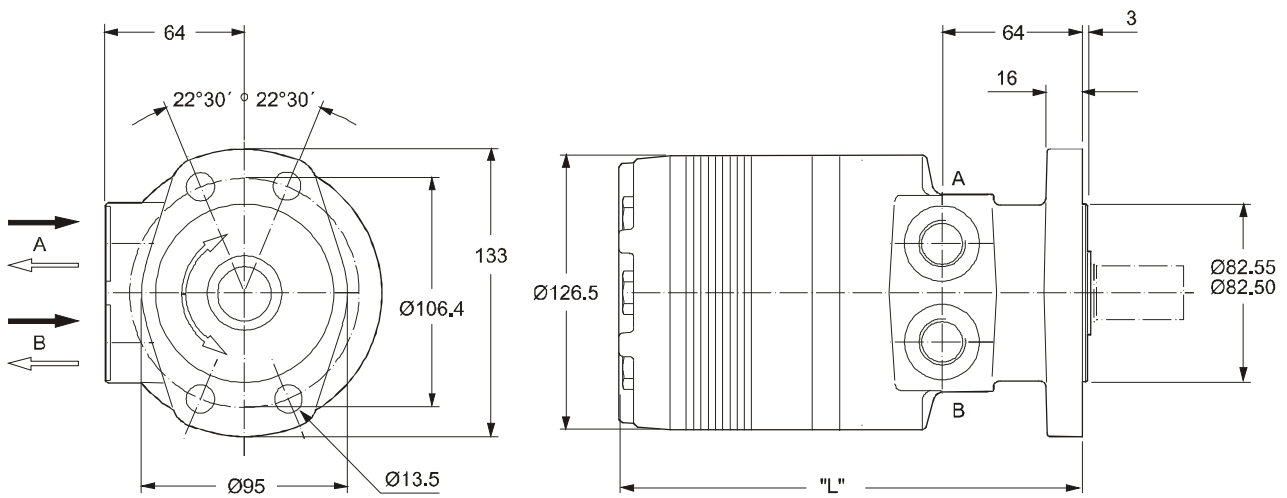
int. =  
Intermittierende Werte maximal: 10% von jeder Betriebsminute.  
Intermittent operation rating applies to 10% of every minute.  
Fonctionnement interm.: 10% max. de chaque minute d'utilisation.  
Servizio intermittente: 10% max di ogni minuto di utilizzazione.

Torqmotoren 3213.PM6.5 RH

**Code E**



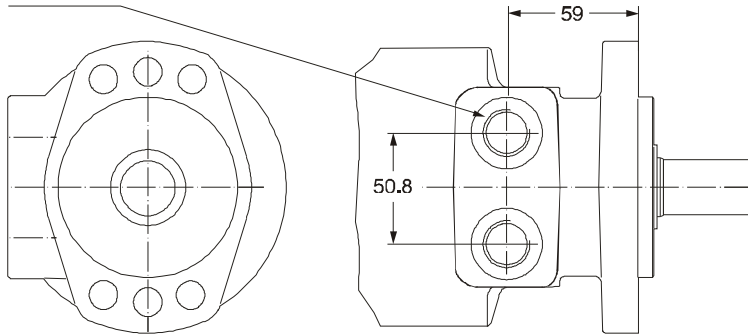
**Code M**



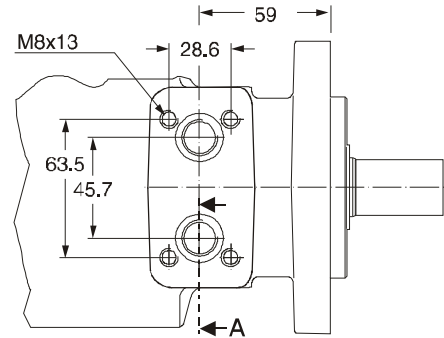
Gewicht / Weight		TG140	TG170	TG195	TG240	TG280	TG335	TG405	TG475	TG530	TG625	TG785	TG960
Poids / Peso	kg	14.2	14.5	14.7	15.1	15.5	15.9	16.5	17.2	17.9	18.6	20.2	22.0
Code E	"L" mm	191	194	197	202	207	213	220	229	235	245	264	283
Code M	"L" mm	196	199	202	208	212	218	225	234	240	250	269	288

**Code W**

G1/2 x 15

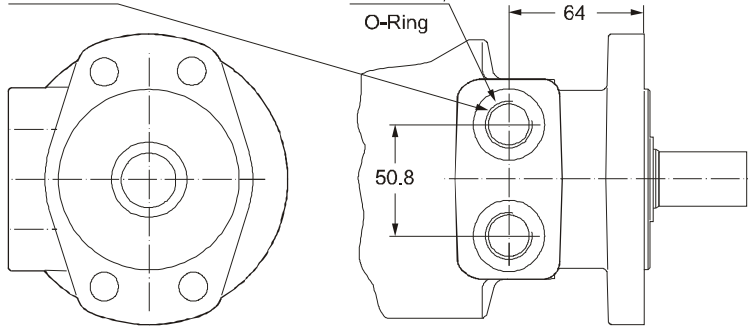


**Code: N**



**Code W**

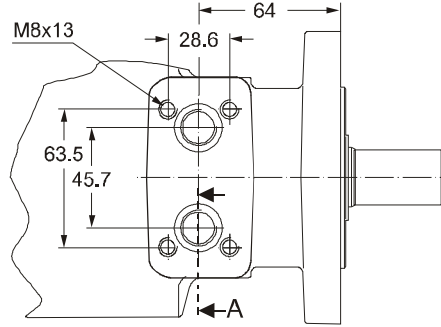
G1/2 x 15



**Code V**

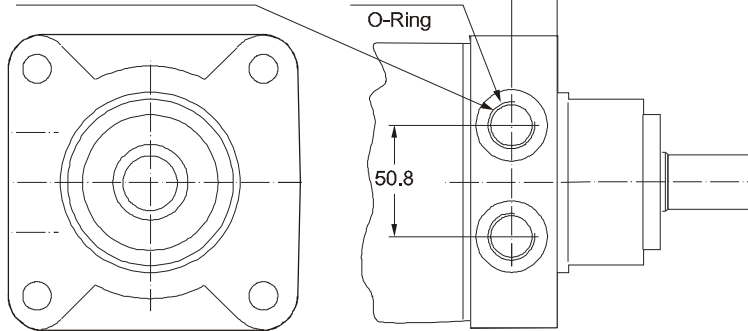
7/8-14UNF,  
O-Ring

**Code N**



**Code W**

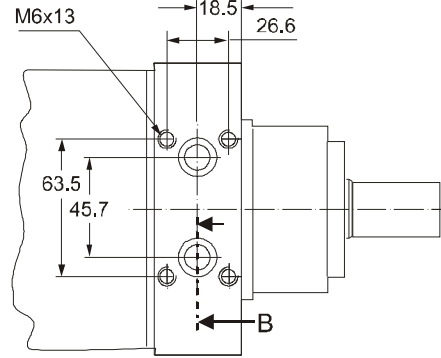
G1/2 x 15



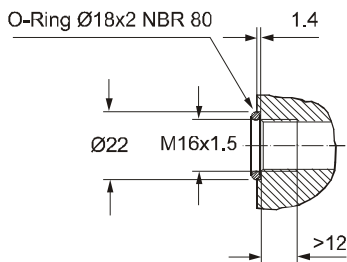
**Code V**

7/8-14UNF,  
O-Ring

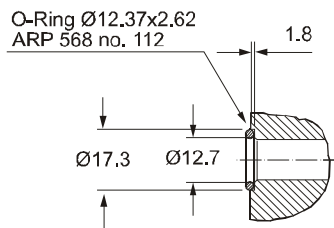
**Code K**



**Section A**



**Section B**



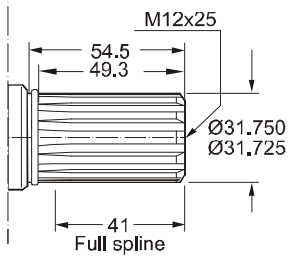
Zum Motor mit Universalanschluß werden 2 O-Ringe geliefert.

Motor with manifold mount is supplied with 2 O-rings.

Deux joints toriques sont livrés avec les moteurs au plan de raccordement universel.

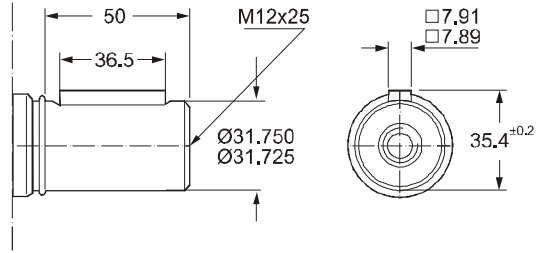
Il blocchetto connessioni è corredato da 2 OR.

**Code 44**

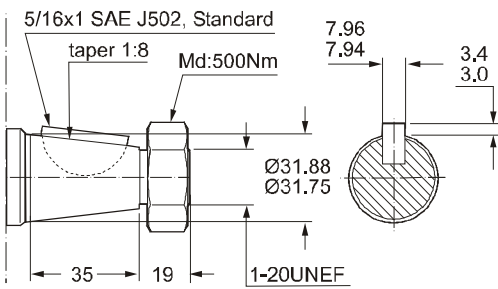


Involute spline  
 ANS B92.1-1970 Standard  
 Flat root side fit  
 Pitch 12/24  
 Teeth 14  
 Major diam. 1.25 in  
 Pressure angle 30°

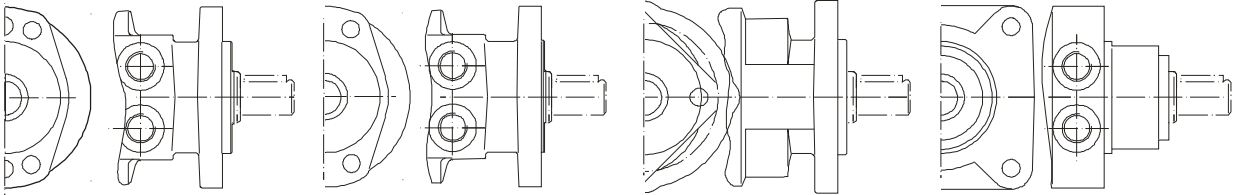
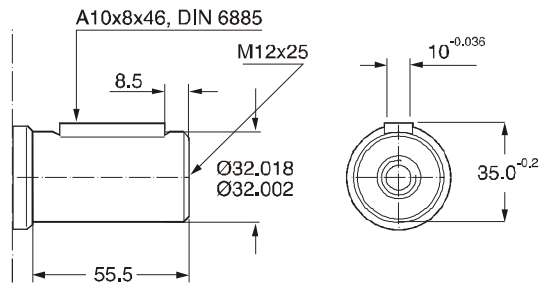
**Code 45**



**Code 08**



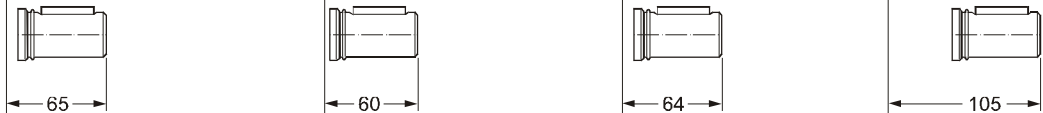
**Code 46**



**Code 44**



**Code 45**



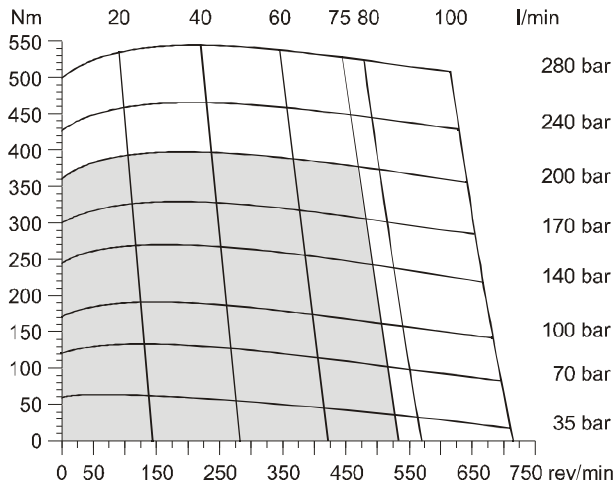
**Code 08**



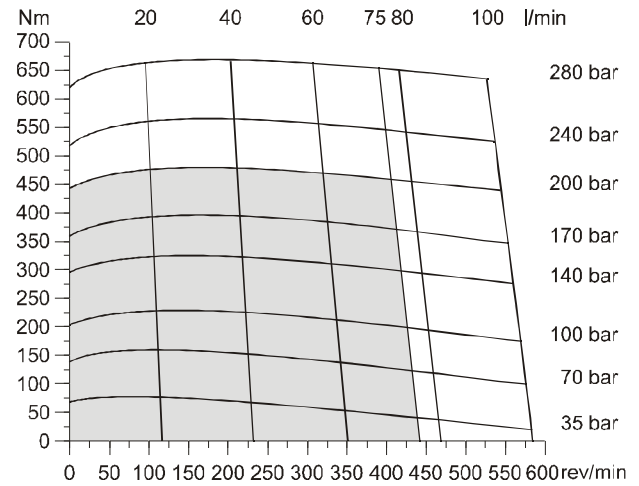
**Code 46**



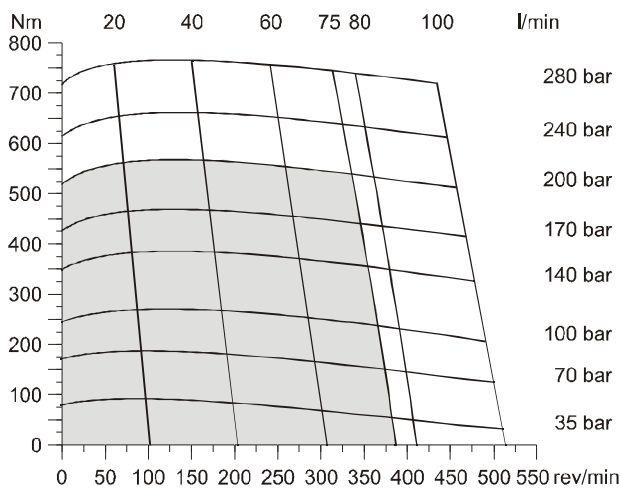
**TG 140**



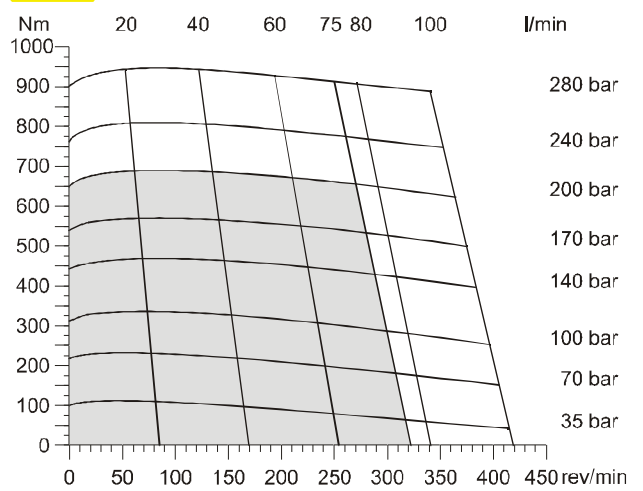
**TG 170**



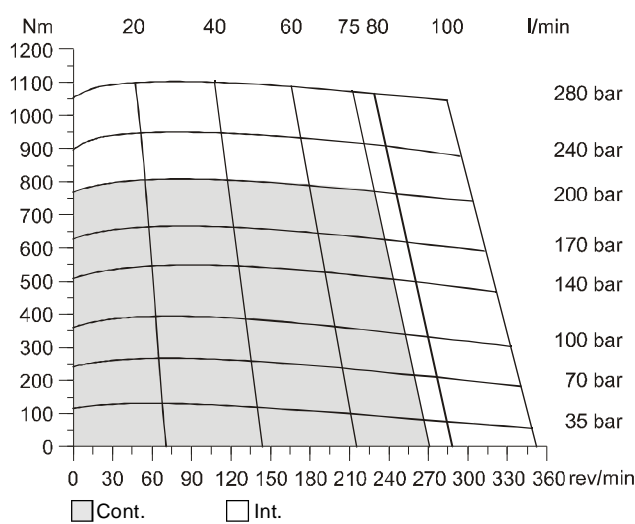
**TG 195**



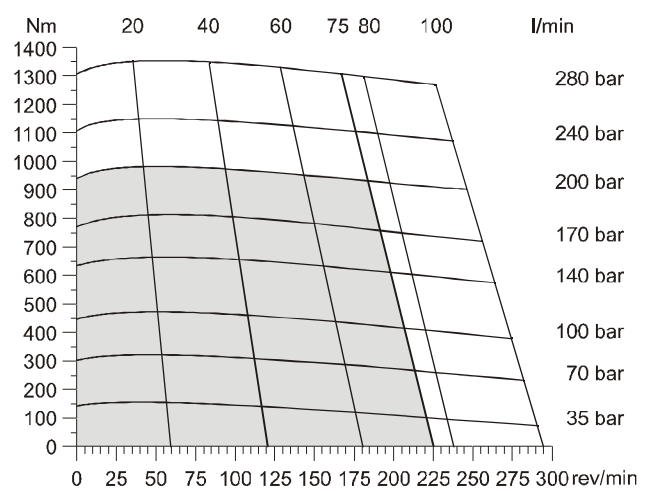
**TG 240**



**TG 280**



**TG 335**



int. =  
 Intermittierende Werte maximal: 10% von jeder Betriebsminute.  
 Intermittent operation rating applies to 10% of every minute.  
 Fonctionnement interm.: 10% max. de chaque minute d'utilisation.  
 Servizio intermittente: 10% max di ogni minuto di utilizzazione.