

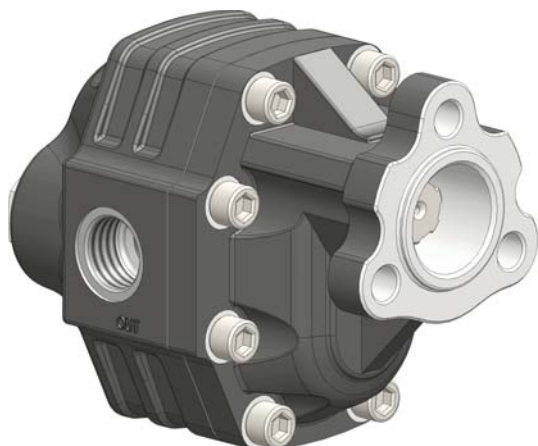
POMPE AD INGRANAGGI FISSAGGIO 3 FORI-UNI

CODICE FAMIGLIA
FAMILY CODE

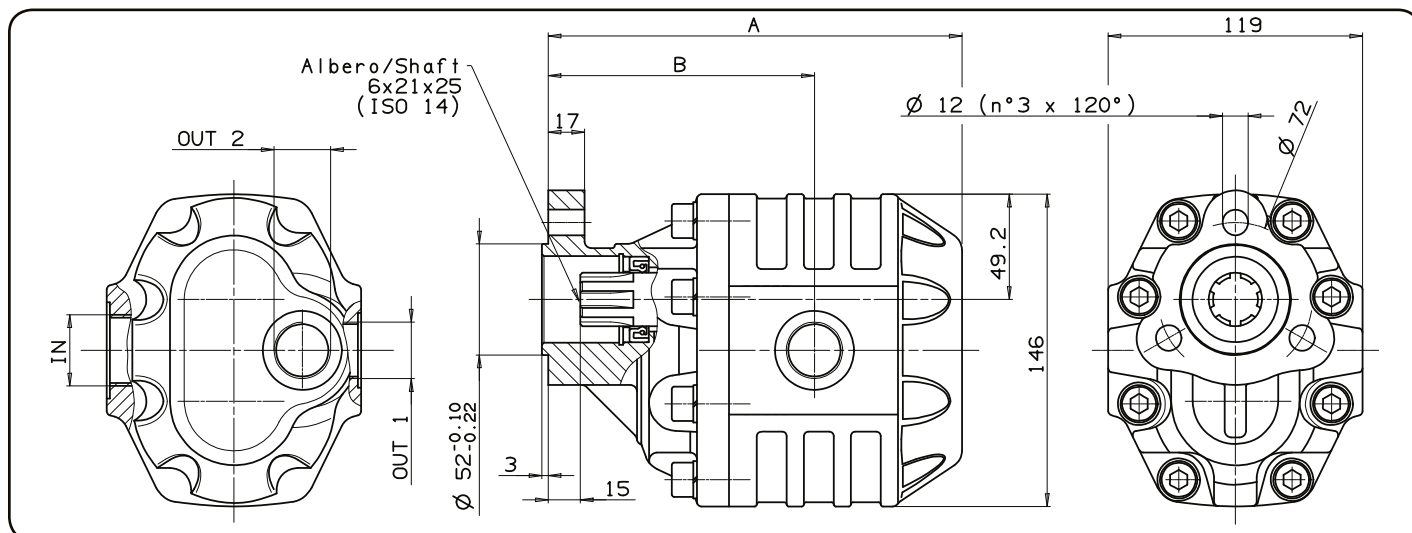
105-011

3 HOLES-UNI HYDRAULIC GEAR PUMPS

NPH UNI



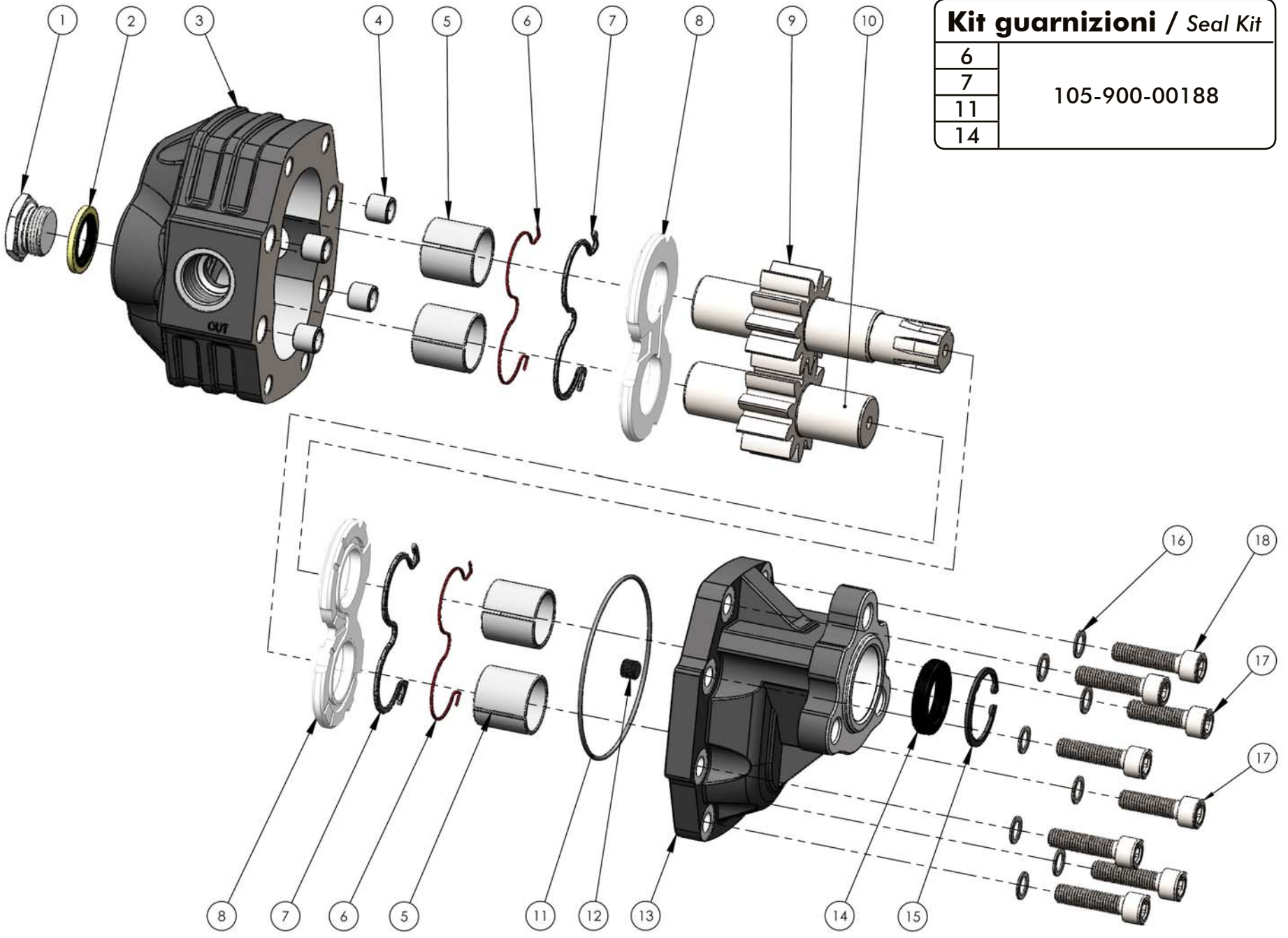
Fluido idraulico Fluid	Minerale o sintetico compatibile con guarnizioni: Mineral or synthetic compatible with the following seals: NBR, FKM, FPM, Nylon				
Viscosità cinematica consigliata Kinematic viscosity suggested	T media ambiente (°C) Average ambient temp. (°C)	< -10	-10 ÷ 10	10 ÷ 35	> 35
	VG (cSt = mm ² /s)	22	32	46	68
Viscosità cinematica ottimale di esercizio Optimale kinematic viscosity		VG = 10 cSt ÷ 100 cSt			
Viscosità cinematica max consentita all'avviamento Max kinematic viscosity suggested at the start-up		VG = 750 cSt			
Indice di viscosità consigliato Viscosity index suggested	VI > 100	Temperatura di esercizio Working temperature -15°C +100°C			
Grado di filtrazione Oil filtering		> 200 bar: 10 μm < 200 bar: 25 μm			
Pressione di aspirazione Inlet pressure		-0,3 ÷ 2 bar			
Senso di rotazione Pump rotation		Unidirezionale (DX o SX) Unidirectional (Right or Left)			



Tipo pompa Pump type	Rotazione Rotation		IN	OUT 1	OUT 2	A	B	Peso Weight
	Destra Right	Sinistra Left						
NPH-17	105-011-00175	105-011-00184	G 1/2	G 1/2	G 1/2	152.5	103.5	8.5
NPH-22	105-011-00228	105-011-00237				156	105.5	9
NPH-27	105-011-00273	105-011-00282				158.5	108	9.5
NPH-34	105-011-00344	105-011-00353	G 3/4	G 3/4	G 3/4	163.5	109	10.5
NPH-43	105-011-00433	105-011-00442				169.5	114	11
NPH-51	105-011-00513	105-011-00522	G 1	G 3/4	G 3/4	174.5	114.5	11.5
NPH-61	105-011-00611	105-011-00620				180.5	120.5	12
NPH-73	105-011-00737	105-011-00746				188.5	119.5	12.5
NPH-82	105-011-00826	105-011-00835	G 1 1/4	G 1	G 3/4	193.5	124.5	13
NPH-90	105-011-00906	105-011-00915				204.5	132.5	13.5
NPH-100	105-011-01003	105-011-01012				210.5	138.5	14
NPH-125	105-011-01254	105-011-01263				226.5	142.5	16

pag.27

Kit guarnizioni / Seal Kit	
6	105-900-00188
7	
11	
14	



COMPANY WITH
QUALITY SYSTEM
CERTIFIED BY DNV GL
= ISO/TS 16949 =

O.M.F.B. S.p.A. Hydraulic Components
We reserve the right to make any changes without notice.
Edition 2003.03 No reproduction, however partial, is permitted.
Via Cova, 7/9 25050 Premeola d'Isco (Brescia) Italy Tel.: +39 030 9830611
Fax: +39 030 9839207-208 Internet: www.omfb.it e-mail: info@omfb.it

pag. 28





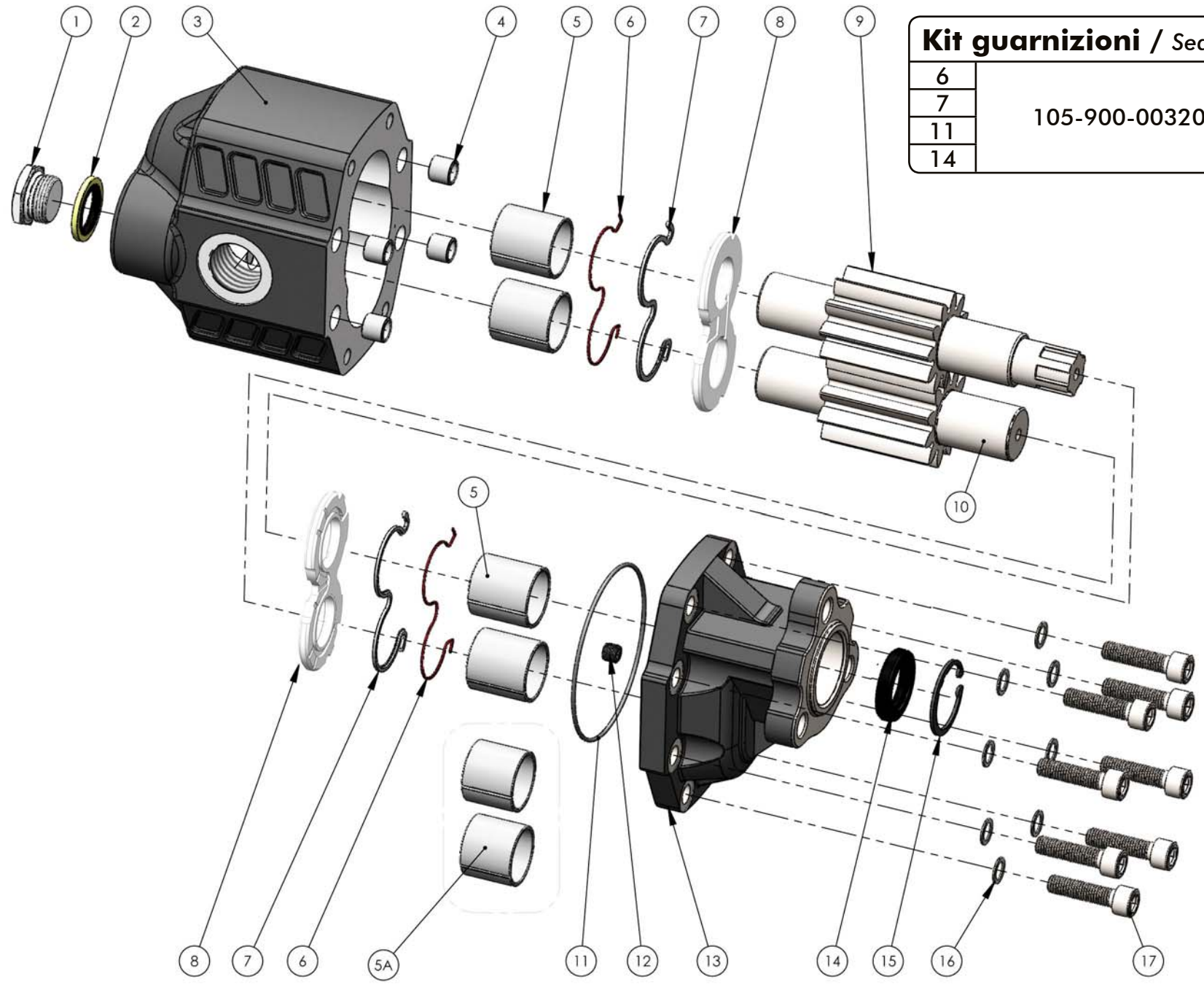
O.M.F.B. S.p.A. Hydraulic Components
 We reserve the right to make any changes without notice.
 Edition 2003.03 No reproduction, however partial, is permitted.
 Via Cove, 7/9 25050 Pevaggio di Isco (Brescia) Italy Tel.: +39 030 9830611
 Fax: +39 030 983207-208 Internet: www.omfb.it e-mail: info@omfb.it

pag. 29

COMPANY WITH
 QUALITY SYSTEM
 CERTIFIED BY DNV GL
 = ISO/TS 16949 =

N° N°	17	22	27	34	43	51	61	73	82	Codice P. Number	Descrizione Description	Quantità Quantity	
1	•	•	•							540-002-00110	Tappo Acciaio 1/2"	Steel plug 1/2"	1
				•	•	•	•	•	•	540-002-00129	Tappo Acciaio 3/4"	Steel plug 3/4"	
2	•	•	•							116-009-10129	Rondella acciaio-gomma 1/2"	Steel-rubber washer 1/2"	1
				•	•	•	•	•	•	116-009-10343	Rondella acciaio-gomma 3/4"	Steel-rubber washer 3/4"	
3	•									517-010-00173	Corpo pompa	Gear housing	1
		•								517-010-00226			
			•							517-010-00271			
				•						517-010-00342			
					•					517-010-00431			
						•				517-010-00511			
							•			517-010-00619			
							•		517-010-00717				
								•	517-010-00824				
4	•	•	•	•	•	•	•	•	•	501-003-00282	Spine forate di centraggio 14x12.5	Pins 14x12.5	4
5	•	•	•	•	•	•	•	•	•	533-004-00033	Boccola autolub. 28x32x30	Bushing 28x32x30	4
6	•	•	•	•	•	•	•	•	•	506-000-01097	Guarnizione antiestrusione	Back-up ring	2
7	•	•	•	•	•	•	•	•	•	506-000-01088	Guarnizione per rasamento	Thrust plate seal	2
8	•	•	•	•	•	•	•	•	•	510-010-00293	Rasamento ad occhiale	Thrust plate	2
9	•									523-020-00178	Albero dentato conduttore	Drive shaft	1
		•								523-020-00221			
			•							523-020-00276			
				•						523-020-00347			
					•					523-020-00436			
						•				523-020-00516			
							•			523-020-00614			
							•		523-020-00712				
								•	523-020-00829				
10	•									523-021-00177	Albero dentato condotto	Driven shaft	1
		•								523-021-00220			
			•							523-021-00275			
				•						523-021-00346			
					•					523-021-00435			
						•				523-021-00515			
							•			523-021-00613			
							•		523-021-00711				
								•	523-021-00828				
11	•	•	•	•	•	•	•	•	•	506-000-01579	Guarnizione OR (2x95)	O-ring (2x95)	1
12	•	•	•	•	•	•	•	•	•	504-010-00063	Grano conico 1/8"	Plug 1/8"	1
13	•	•	•	•	•	•	•	•	•	518-003-00107	Coperchio anteriore	Mounting cover	1
14	•	•	•	•	•	•	•	•	•	506-024-25401	Guarnizione paraolio	Oil seal	1
15	•	•	•	•	•	•	•	•	•	501-001-00373	Anello elastico	Circlip	1
16	•	•	•	•	•	•	•	•	•	501-020-00101	Rondella elastica	Washer	8
17									•	502-004-00565	Vite TCE M10x35	Screw M10x35	2
18	•	•	•	•	•	•	•	•		502-004-00574	Vite TCE M10x40	Screw M10x40	8
								•	6				

Kit guarnizioni / Seal Kit	
6	105-900-00320
7	
11	
14	



COMPANY WITH
QUALITY SYSTEM
CERTIFIED BY DNV GL
= ISO/TS 16949 =

O.M.F.B. S.p.A. Hydraulic Components
We reserve the right to make any changes without notice.
Edition 2003.03 No reproduction, however partial, is permitted.
Via Cove, 7/9 25050 Pionaglia d'Isco (Brescia) Italy Tel.: +39 030 9830611
Fax: +39 030 9839207-208 Internet: www.omfb.it e-mail: info@omfb.it

pag. 30



N° N°	90	100	125	Codice P. Number	Descrizione Description		Quantità Quantity
1	•	•	•	540-002-00129	Tappo Acciaio 3/4"	Steel plug 3/4"	1
2	•	•	•	116-009-10343	Rondella acciaio-gomma 3/4"	Steel-rubber washer 3/4"	1
3	•			517-010-00904	Corpo pompa	Gear housing	1
		•		517-010-00995			
			•	517-010-01252			
4	•	•	•	501-003-00282	Spine forate di centraggio 14x12.5	Pins 14x12.5	4
5	•			533-004-00060	Boccola autolub. 30x34x35	Bushing 30x34x35	2
		•	•				4
5a	•			533-004-00355	Boccola autolub. 30x34x30	Bushing 30x34x30	2
6	•	•	•	506-000-01284	Guarnizione antiestrusione	Back-up ring	2
7	•	•	•	506-000-01275	Guarnizione per rasamento	Thrust plate seal	2
8	•	•	•	510-010-00346	Rasamento ad occhiale	Thrust plate	2
9	•			523-023-00906	Albero dentato conduttore	Drive shaft	1
		•		523-023-01003			
			•	523-023-01254			
10	•			523-023-00915	Albero dentato condotto	Driven shaft	1
		•		523-023-01012			
			•	523-023-01263			
11	•	•	•	506-000-01579	Guarnizione OR (2x95)	O-ring (2x95)	1
12	•	•	•	504-010-00063	Grano conico 1/8"	Plug 1/8"	1
13	•			518-003-00518	Coperchio anteriore	Mounting cover	1
		•	•	518-003-00134			
14	•	•	•	506-024-25401	Guarnizione paraolio	Oil seal	1
15	•	•	•	501-001-00373	Anello elastico	Circlip	1
16	•	•	•	501-020-00101	Rondella elastica	Washer	8
17	•	•	•	502-004-00574	Vite TCE M10x40	Screw M10x40	8

CARATTERISTICHE TECNICHE DI FUNZIONAMENTO / TECHNICAL FEATURES

Tipo pompa Pump type	Cilindrata Displacement cm ³ /rev	Pressione Pressure			Velocità max. continua Max. continuous speed rpm	Velocità max. intermittente Max. intermittent speed rpm	Velocità min. Min. speed rpm
		P1 bar	P2 bar	P3 bar			
NPH-17	17.04	290	315	325	2500	3000	300
NPH-22	22.15						
NPH-27	26.18						
NPH-34	33.88	280	300	310	2200	2800	
NPH-43	43.12	270	290	300	2000	2500	
NPH-51	50.82	240	260	280			
NPH-61	60.06	220	240	250	1800	2000	
NPH-73	72.88	200	220	230	1500	1800	
NPH-82	81.08	190	210	220			
NPH-90	90.43	180	200	220			
NPH-100	98.18	180	200	220			
NPH-125	122.72	160	180	200			

P1 = Pressione max. continua

Max. continuous pressure

(100%)

P2 = Pressione max. intermittente

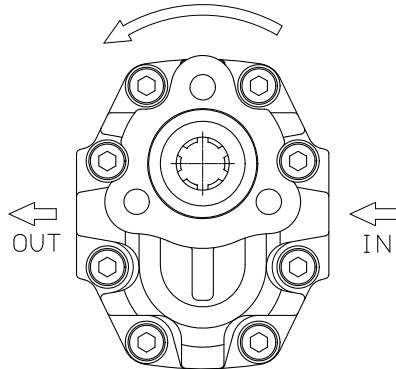
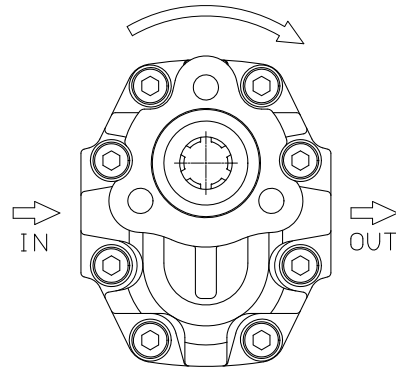
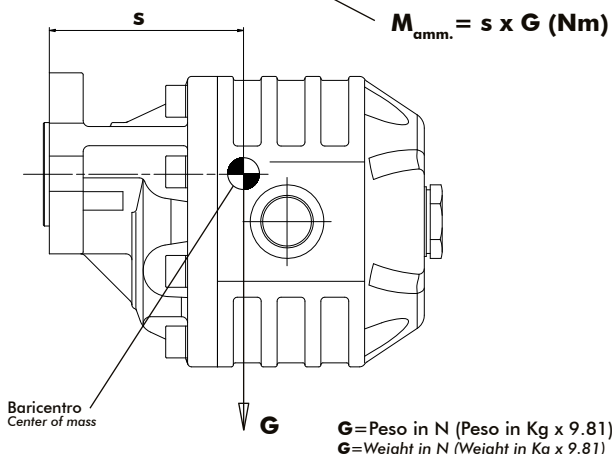
Max. Intermittent pressure

(20 sec. max.)

P3 = Pressione max. di punta

Max. peak pressure

(6 sec. max.)

SENSO DI ROTAZIONE POMPA - DIRECTION OF ROTATION:**Rotazione antioraria, pompa sinistra**
Anti-clockwise rotation, left pumpVista FRONTALE
FRONT**Rotazione oraria, pompa destra**
Clockwise rotation, right pumpVista FRONTALE
FRONT**MOMENTO PESO / MASS MOMENT**

Tipo pompa - Pump type	S
NPH-17	93
NPH-22	94
NPH-27	96
NPH-34	99
NPH-43	101
NPH-51	103
NPH-61	106
NPH-73	110
NPH-82	113
NPH-90	120
NPH-100	122
NPH-125	130

PER MODIFICARE IL SENSO DI ROTAZIONE VEDERE ISTRUZ. 997-2-42
TO CHANGE THE DIRECTION OF ROTATION SEE INSTRUCTION 997-2-42