

Membrane Accumulator Series ELM – CE

0,075 to 3,5 litre / 100 to 250 bar



OSP 320

Construction

Membrane accumulators with integrated disc | pressure vessel in steel | gas locking screw, **not** demountable.

Charge pressure P₀

Ratio P_{max}/P_0 see range table.

Temperature range

Temperature range from -10 °C to +80 °C
Other ranges on request.

Hydraulic fluids

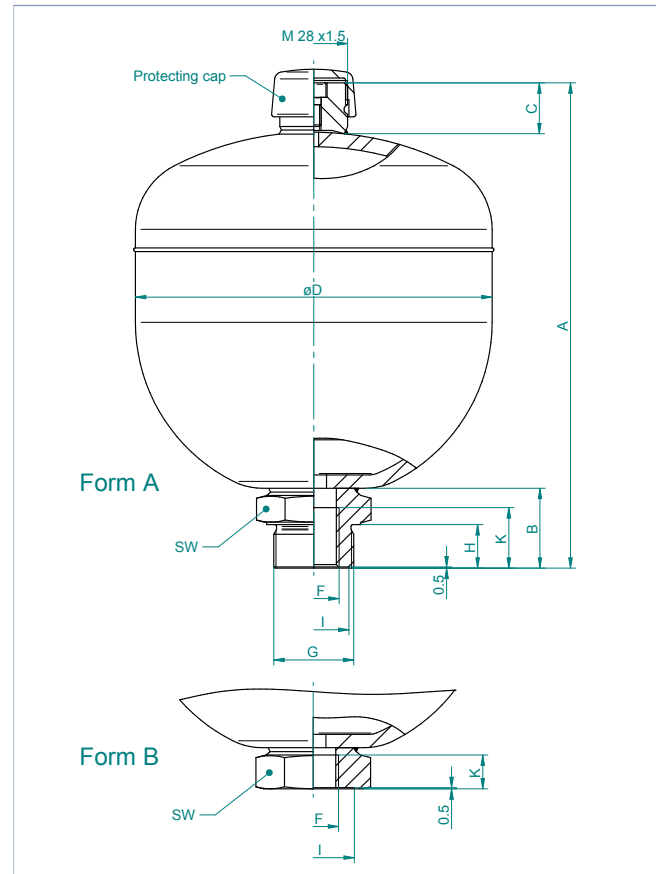
Standard execution for hydraulic oil (mineral oil).
Other membrane materials on request.

Installation

User-defined.
Leave a space of 200 mm free above the gas locking screw for attaching the tester and pressurizer VGU, this is to tighten with a torque of 2 Nm.

Method of mounting

With clamps see data sheet OSP 775 or by form A per outside thread M 33 x 1,5 and lock nut.



Model	Gasvol. V ₀ litre	Work pressure bar	P _{max} / P ₀	Weight kg	Dimensions in mm										
					A	B	C	øD	F	G	H	I	K	SW	Conne- ction form
ELM 0,075 – 250 / 00 *	0,075	250	8 : 1	0,7	111	–	22	64	G ½"	–	–	29	14	32	B
ELM 0,16 – 250 / 00 *	0,16	250	6 : 1	1,0	120	–	22	75	G ½"	–	–	29	14	32	B
ELM 0,32 – 210 / 00 *	0,32	210	8 : 1	1,4	134	–	22	93	G ½"	–	–	29	14	32	B
ELM 0,5 – 210 / 00 *	0,5	210	8 : 1	2,0	152	–	22	106	G ½"	–	–	34	17	41	B
ELM 0,5 – 210 / 00 *	0,5	210	8 : 1	2,0	163	33	22	106	G ½"	M 33 x 1,5	18	–	24	41	A
ELM 0,75 – 210 / 00 *	0,75	210	8 : 1	2,6	177	33	22	122	G ½"	M 33 x 1,5	18	–	24	41	A
ELM 0,75 – 210 / 00 *	0,75	210	8 : 1	2,6	166	–	22	122	G ½"	–	–	34	14	41	B
ELM 1 – 210 / 00 *	1	210	8 : 1	3,5	180	–	22	136	G ½"	–	–	34	14	41	B
ELM 1 – 210 / 00 *	1	210	8 : 1	3,5	191	33	22	136	G ½"	M 33 x 1,5	18	–	24	41	A
ELM 1,4 – 140 / 90	1,4	140	8 : 1	4,2	202	33	22	147	G ½"	M 33 x 1,5	18	–	24	41	A
ELM 1,4 – 140 / 90	1,4	140	8 : 1	4,2	191	–	22	147	G ½"	–	–	34	14	41	B
ELM 1,4 – 210 / 90	1,4	210	8 : 1	4,2	209	33	22	155	G ½"	M 33 x 1,5	18	–	24	41	A
ELM 1,4 – 210 / 90	1,4	210	8 : 1	4,2	198	–	22	155	G ½"	–	–	34	14	41	B
ELM 2 – 100 / 90	2,0	100	8 : 1	3,5	240	–	22	145	G ½"	–	–	34	14	41	B
ELM 2 – 250 / 90	2,0	250	8 : 1	7,5	251	–	22	155	G ¾"	–	–	33	16	41	B
ELM 2,8 – 250 / 90	2,8	250	6 : 1	10,0	268	–	22	174	G ¾"	–	–	33	16	41	B
ELM 3,5 – 250 / 90	3,5	250	4 : 1	11,0	307	–	22	174	G ¾"	–	–	33	16	41	B

Issued in accordance with PED 97/23/EC with CE marked

*Issued in accordance with PED 97/23/EG, article 3 clause 3 , without CE-marking

Manufacturer's tolerances not taken into account

The right to make modifications reserved

