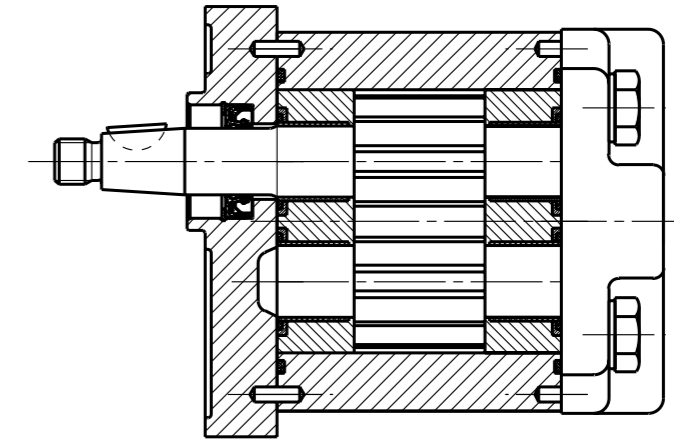
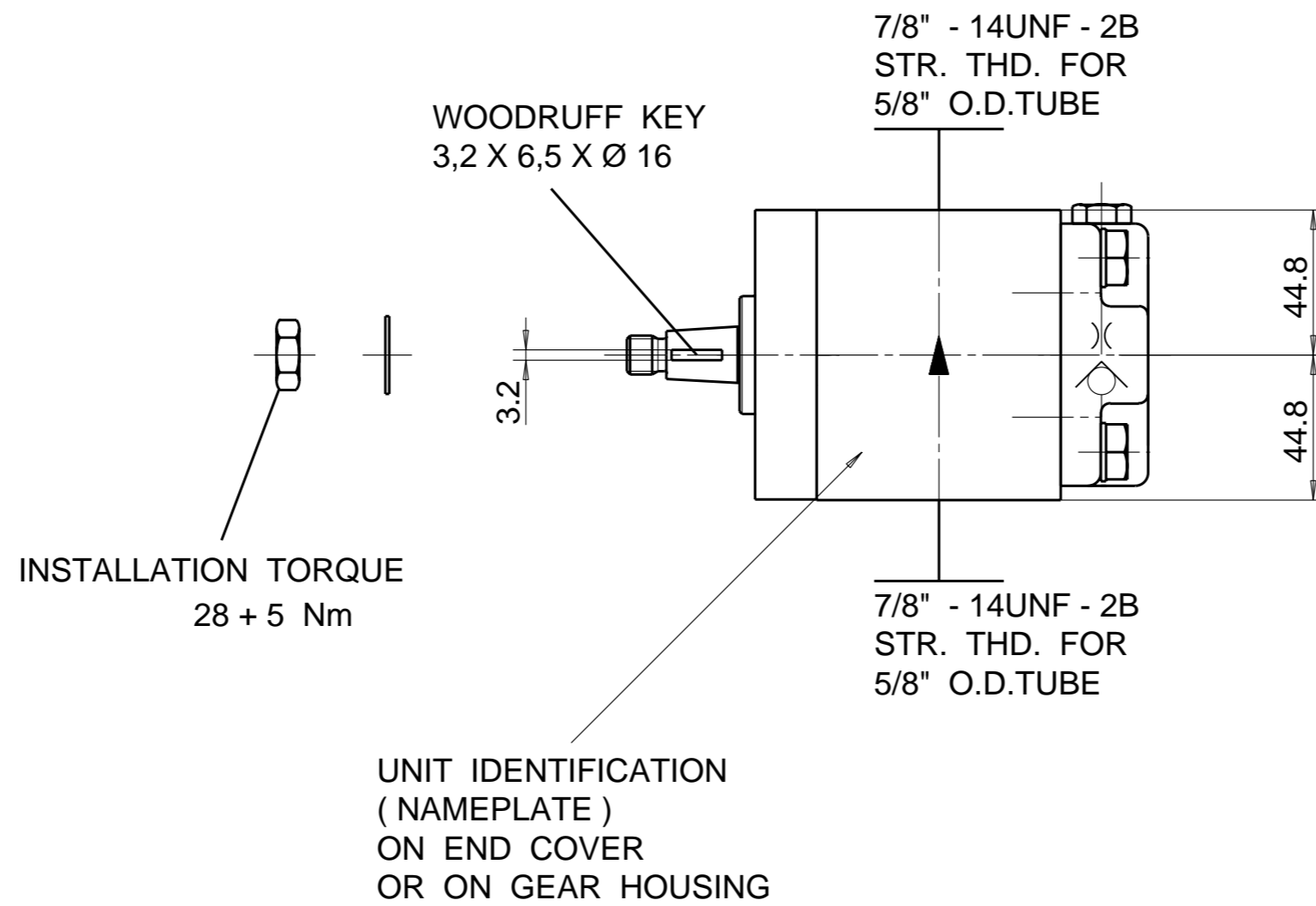
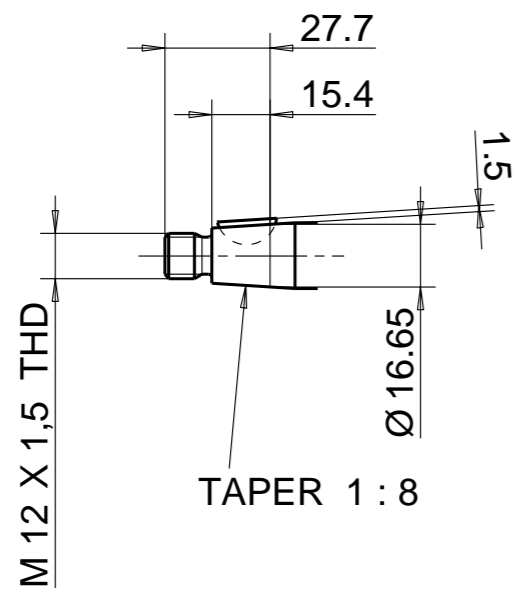
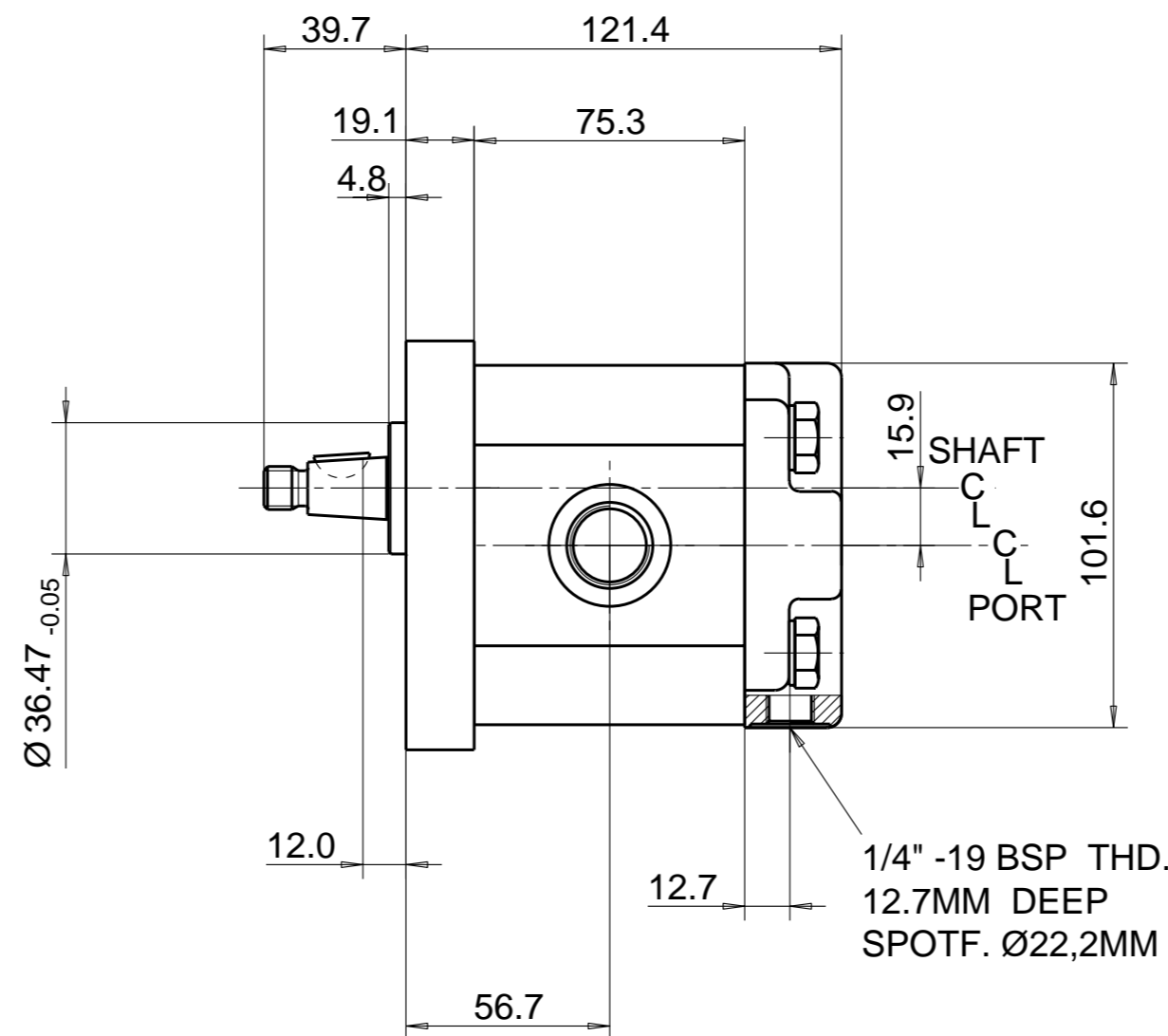
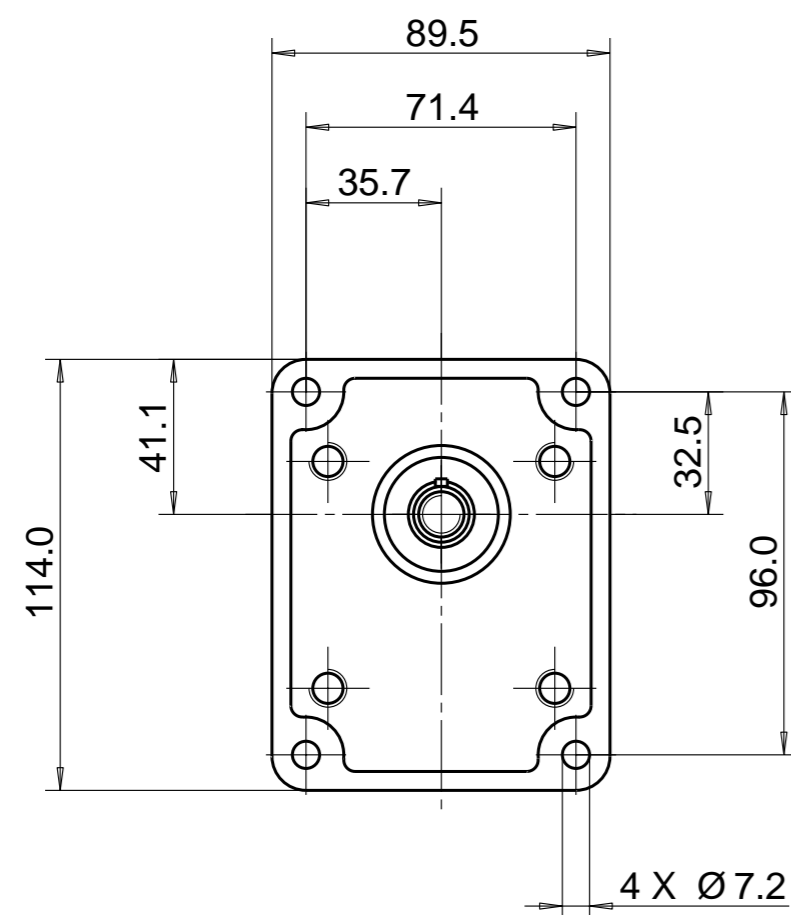


MOTOR DATA	
DISPLACEMENT	22,0 ccm
MAX. PRESSURE	210 bar
SPEED RATE	500 TO 2000 min ⁻¹
MAX SHAFT SEAL PRESSURE	2 bar
ROTATION	ANTI CLOCKWISE

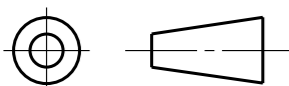


NOTE

1 FOR ASSEMBLY INSTRUCTIONS SEE DWG. NO. "511-B2" "PGM511 MOTOR ASSEMBLY INSTRUCTIONS".



THIRD ANGLE PROJECTION



EXP NO.

FIRST USED

07 - 04 - 905

334 9212 083

SYM.	REVISIONS	DATE
A	RE-ACTIVATED WITH UPDATE	08APR19 AS 19-04-905

THIS DOCUMENT CONTAINS INFORMATION THAT IS CONFIDENTIAL AND PROPRIETARY TO PARKER-HANNIFIN CORPORATION ("PARKER"). THIS DOCUMENT IS FURNISHED ON THE UNDERSTANDING THAT THE DOCUMENT AND THE INFORMATION IT CONTAINS WILL NOT BE COPIED OR DISCLOSED TO OTHERS OR USED FOR ANY PURPOSE OTHER THAN CONDUCTING BUSINESS WITH PARKER, AND WILL BE RETURNED AND ALL FURTHER USE DISCONTINUED UPON REQUEST BY PARKER. ALL RIGHTS RESERVED.

PGM511D0220AS2E1ND4D4B1B1G2

MATERIAL	ADM CTR M	
H.E.-STD:	REV DTE 08APR19	
	WT 4.1 kg	DIMENSIONS ARE <u>MM</u>

Parker Pump & Motor Division
Chemnitz

DR.BY	DATE	CH.BY	DATE	SCALE
WS	03APR07	JS	03APR07	1/2

334 9212 083

© 2019 Parker Hannifin Corporation