



Visit our homepage  
for additional support  
[parker.com/pmde](http://parker.com/pmde)

Bulletin MSG30-5513-M1/UK

## Spare Parts Series F12

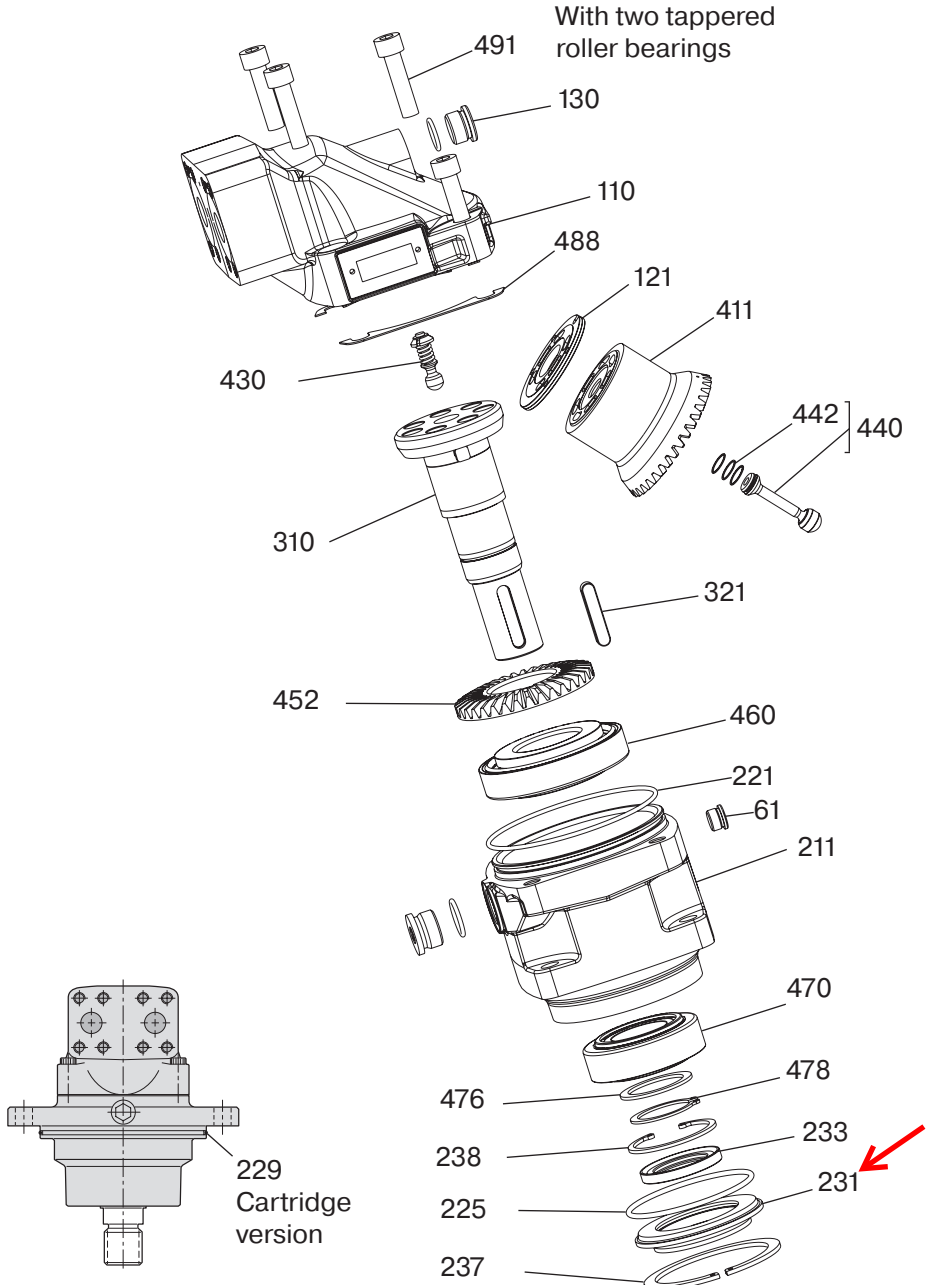
---

Effective: March, 2022

Supersedes: February, 2022



ENGINEERING YOUR SUCCESS.



**F12-030 all types from serial no. 201809300001 and up.**

| Pos                   | Part No   | Description                   | Qty | Remarks           |
|-----------------------|-----------|-------------------------------|-----|-------------------|
| <b>Housing parts</b>  |           |                               |     |                   |
| 61                    |           | Hex Socket Plug M12*1         | 1   | VST112X1EDVITCF   |
| 110                   | 3721864   | Barrel Housing Assy Type F    | 1   |                   |
| 110                   | 3721863   | Barrel Housing Assy Type S    | 1   |                   |
| 130                   |           | Hex Socket Plug for S housing | 1   | 8 HP50N-S         |
| 130                   |           | Hex Socket Plug for F housing | 1   | VST118X1,5EDVITCF |
| 211                   | 3784481   | Bearing Housing Type C        | 1   | Require item 61   |
| 211                   | 3788317   | Bearing Housing Type I        | 1   | Require item 61   |
| 211                   | 3788323   | Bearing Housing Type S        | 1   | Require item 61   |
| 211                   | 3788320   | Bearing Housing Type T        | 1   | Require item 61   |
| 231                   | 3797194   | Seal Carrier                  | 1   |                   |
| <b>Rotating parts</b> |           |                               |     |                   |
| 310                   | 3799648   | Shaft type C                  | 1   |                   |
| 310                   | 3799638   | Shaft type D                  | 1   |                   |
| 310                   | 3799632   | Shaft type K                  | 1   | Require flat key  |
| 310                   | 3799644   | Shaft type P                  | 1   | Require flat key  |
| 310                   | 3799634   | Shaft type S                  | 1   |                   |
| 310                   | 3799640   | Shaft type T                  | 1   | Require flat key  |
| 321                   | 3724437*  | Flat Key for K and P shaft    | 1   |                   |
| 321                   | 3724449*  | Flat Key for T shaft          | 1   |                   |
| 430                   | 3724477** | Barrel Support                | 1   |                   |
| 452                   | 3791927   | Ring Gear                     | 1   |                   |

**Seal kit contain:**

O-rings pos: 221, 225, 229

Shaft seal pos: 233

Retaining rings pos: 237, 238

**Repair spare part kit contain:**

Valve plate pos: 121

Cylinder Barrel pos: 411

Pistons pos: 440 (7 pcs)

Hex Screws pos: 491 (4 pcs)

**Bearing spare part kit contain:**

Tap Rol Bearing pos: 460, 470

Spacer pos: 476

Retaining rings pos: 478

**Shim kit contain:**

Shims pos: 488

(1 pcs on each side)

**For other parts please contact Parker Hannifin****Seal kits**

|         |                                 |
|---------|---------------------------------|
| 3793493 | Sealing kit type V FPM          |
| 3785132 | Sealing kit type N NBR          |
| 3784552 | Sealing kit type S PTFE         |
| 3720898 | Sealing kit type S SuperCut 100 |

**Repair Spare part Kit**

|         |                           |
|---------|---------------------------|
| 3721446 | Type M (Motor)            |
| 3722010 | Type S (High speed Motor) |
| 3723977 | Type L (CCW pump)         |
| 3723978 | Type R (CW pump)          |

**Bearing spare part kit**

|         |             |
|---------|-------------|
| 3723971 | Bearing kit |
|---------|-------------|

**Shim kit**

|         |           |
|---------|-----------|
| 3721330 | Shims kit |
|---------|-----------|

\*Kit contain 100 pcs, \*\*Kit contain 20 pcs

**F12-040 all types from serial no. 1998020001 and up.**

| Pos                   | Part No    | Description                   | Qty | Remarks           |
|-----------------------|------------|-------------------------------|-----|-------------------|
| <b>Housing parts</b>  |            |                               |     |                   |
| 61                    |            | Hex Socket Plug M12*1         | 1   | VSTI12X1EDVITCF   |
| 110                   | 3798203    | Barrel Housing Assy Type F    | 1   |                   |
| 110                   | 3798204    | Barrel Housing Assy Type S    | 1   |                   |
| 130                   |            | Hex Socket Plug for S housing | 1   | 8 HP50N-S         |
| 130                   |            | Hex Socket Plug for F housing | 1   | VSTI18X1,5EDVITCF |
| 211                   | 3780330    | Bearing Housing Type C        | 1   | Require item 61   |
| 211                   | 3799967    | Bearing Housing Type I        | 1   | Require item 61   |
| 211                   | 3780130    | Bearing Housing Type S        | 1   | Require item 61   |
| 231                   | 3796201    | Seal Carrier                  | 1   |                   |
| <b>Rotating parts</b> |            |                               |     |                   |
| 310                   | 3799455    | Shaft type C                  | 1   |                   |
| 310                   | 3799457    | Shaft type D                  | 1   |                   |
| 310                   | 3799451    | Shaft type K                  | 1   | Require flat key  |
| 310                   | 3799453    | Shaft type S                  | 1   |                   |
| 310                   | 3799459    | Shaft type T                  | 1   | Require flat key  |
| 321                   | 3724451*   | Flat Key for K shaft          | 1   |                   |
| 321                   | 3724438*   | Flat Key for T shaft          | 1   |                   |
| 430                   | 3724474*** | Barrel Support                | 1   |                   |
| 452                   | 3791589    | Ring Gear                     | 1   |                   |

**Seal kit contain:**

O-rings pos: 221, 225, 229

Shaft seal pos: 233

Retaining rings pos: 237, 238

**For other parts please contact Parker Hannifin****Seal kits**

3793495\*\* Sealing kit type V FPM

3785133\*\* Sealing kit type N NBR

**Repair Spare part Kit**

3787798 Type M (Motor)

3723979 Type L (CCW pump)

3723980 Type R (CW pump)

**Bearing spare part kit**

3723972 Bearing kit

**Shim kit**

3721331 Shims kit

**Repair spare part kit contain:**

Valve plate pos: 121

Cylinder Barrel pos: 411

Pistons pos: 440 (7 pcs)

Hex Screws pos: 491 (4 pcs)

**Bearing spare part kit contain:**

Tap Rol Bearing pos: 460, 470

Spacer pos: 476

Retaining rings pos: 478

**Shim kit contain:**

Shims pos: 488

(1 pcs on each side)

\*Kit contain 100 pcs, \*\*\*Kit contain 20 pcs

\*\* The kit contain 1 pcs O-ring for F12-60

**F12-060 all types from serial no. 1998020001 up to 202011010001.  
(for serial no between 202011010001-202101010001, please contact  
Parker)**

| Pos                   | Part No    | Description            | Qty | Remarks          |
|-----------------------|------------|------------------------|-----|------------------|
| <b>Housing parts</b>  |            |                        |     |                  |
| 61                    |            | Hex Socket Plug M12*1  | 1   | VST112X1EDVITCF  |
| 110                   |            | Barrel Housing Assy    | 1   | Not available    |
| 130                   |            | Hex Socket Plug        | 1   | See next side    |
| 211                   | 3780331    | Bearing Housing Type C | 1   | Require item 61  |
| 211                   | 3780127    | Bearing Housing Type I | 1   | Require item 61  |
| 211                   | 3780124    | Bearing Housing Type S | 1   | Require item 61  |
| 231                   | 3796201    | Seal Carrier           | 1   |                  |
| <b>Rotating parts</b> |            |                        |     |                  |
| 310                   | 3799686    | Shaft type C           | 1   |                  |
| 310                   | 3799688    | Shaft type D           | 1   |                  |
| 310                   | 3799682    | Shaft type K           | 1   | Require flat key |
| 310                   | 3799684    | Shaft type S           | 1   |                  |
| 310                   | 3799690    | Shaft type T           | 1   | Require flat key |
| 321                   | 3724445*   | Flat Key for K shaft   | 1   |                  |
| 321                   | 3724438*   | Flat Key for T shaft   | 1   |                  |
| 430                   | 3724478*** | Barrel Support         | 1   |                  |
| 452                   | 3799822    | Ring Gear              | 1   |                  |

**Seal kit contain:**

O-rings pos: 221, 225, 229  
Shaft seal pos: 233  
Retaining rings pos: 237, 238

**For other parts please contact Parker Hannifin**

**Seal kits**

3793495\*\* Sealing kit type V FPM

3785133\*\* Sealing kit type N NBR

**Repair Spare part Kit**

3787799 Type M (Motor)

**Bearing spare part kit**

3723973 Bearing kit

**Shim kit**

3721332 Shims kit

**Repair spare part kit contain:**

Valve plate pos: 121  
Cylinder Barrel pos: 411  
Pistons pos: 440 (7 pcs)  
Hex Screws pos: 491 (4 pcs)

**Bearing spare part kit contain:**

Tap Rol Bearing pos: 460, 470  
Spacer pos: 476  
Retaining rings pos: 478

**Shim kit contain:**

Shims pos: 488  
(1 pcs on each side)

\*Kit contain 100 pcs, \*\*\*Kit contain 20 pcs

\*\* The kit contain 1 pcs O-ring for F12-40

**F12-060 with needle bearings from serial no. 202011010001 and up.**

| Pos                   | Part No    | Description                | Qty | Remarks           |
|-----------------------|------------|----------------------------|-----|-------------------|
| <b>Housing parts</b>  |            |                            |     |                   |
| 61                    |            | Hex Socket Plug M12*1      | 1   | VSTI12X1EDVITCF   |
| 110                   | 3722721    | Barrel Housing Assy Type F | 1   |                   |
| 110                   | 3722723    | Barrel Housing Assy Type S | 1   |                   |
| 130                   |            | Hex Socket Plug S housing  | 1   | 10 HP50N-S        |
| 130                   |            | Hex Socket Plug F housing  | 1   | VSTI22X1.5EDVITCF |
| 211                   | 3780331    | Bearing Housing Type C     | 1   | Require item 61   |
| 211                   | 3780127    | Bearing Housing Type I     | 1   | Require item 61   |
| 211                   | 3780124    | Bearing Housing Type S     | 1   | Require item 61   |
| 231                   | 3796201    | Seal Carrier               | 1   |                   |
| <b>Rotating parts</b> |            |                            |     |                   |
| 310                   | 3799686    | Shaft type C               | 1   |                   |
| 310                   | 3799688    | Shaft type D               | 1   |                   |
| 310                   | 3799682    | Shaft type K               | 1   | Require flat key  |
| 310                   | 3799684    | Shaft type S               | 1   |                   |
| 310                   | 3799690    | Shaft type T               | 1   | Require flat key  |
| 321                   | 3724445*   | Flat Key for K shaft       | 1   |                   |
| 321                   | 3724438*   | Flat Key for T shaft       | 1   |                   |
| 430                   | 3724478*** | Barrel Support             | 1   |                   |
| 452                   | 3799822    | Ring Gear                  | 1   |                   |

**For other parts please contact Parker Hannifin****Seal kits**

- 3793495\*\* Sealing kit type V FPM  
 3785133\*\* Sealing kit type N NBR

**Repair Spare part Kit**

- 3723104 Type M (Motor)  
 3723981 Type L (CCW pump)  
 3723982 Type R (CW pump)

**Bearing spare part kit**

- 3723973 Bearing kit

**Shim kit**

- 3721332 Shims kit

**Seal kit contain:**

O-rings pos: 221, 225, 229  
 Shaft seal pos: 233  
 Retaining rings pos: 237, 238

**Repair spare part kit contain:**

Valve plate pos: 121  
 Cylinder Barrel pos: 411  
 Pistons pos: 440 (7 pcs)  
 Hex Screws pos: 491 (4 pcs)

**Bearing spare part kit contain:**

Tap Rol Bearing pos: 460, 470  
 Spacer pos: 476  
 Retaining rings pos: 478

**Shim kit contain:**

Shims pos: 488  
 (1 pcs on each side)

\*Kit contain 100 pcs, \*\*\*Kit contain 20 pcs

\*\* The kit contain 1 pcs O-ring for F12-40

**F12-080 all types from serial no. 1998491161 and up.**

| Pos                   | Part No   | Description                | Qty | Remarks           |
|-----------------------|-----------|----------------------------|-----|-------------------|
| <b>Housing parts</b>  |           |                            |     |                   |
| 61                    |           | Hex Socket Plug M12*1      | 1   | VSTI12X1EDVITCF   |
| 110                   | 3780658   | Barrel Housing Assy Type F | 1   |                   |
| 110                   | 3780660   | Barrel Housing Assy Type S | 1   |                   |
| 130                   |           | Hex Socket Plug S housing  | 1   | 10 HP50N-S        |
| 130                   |           | Hex Socket Plug F housing  | 1   | VSTI22X1.5EDVITCF |
| 211                   | 3780327   | Bearing Housing Type C     | 1   | Require item 61   |
| 211                   | 3780813   | Bearing Housing Type I     | 1   | Require item 61   |
| 211                   | 3780812   | Bearing Housing Type S     | 1   | Require item 61   |
| 231                   | 3796200   | Seal Carrier               | 1   |                   |
| <b>Rotating parts</b> |           |                            |     |                   |
| 310                   | 3780671   | Shaft type C               | 1   |                   |
| 310                   | 3780673   | Shaft type D               | 1   |                   |
| 310                   | 3780667   | Shaft type K               | 1   | Require flat key  |
| 310                   | 3780669   | Shaft type S               | 1   |                   |
| 310                   | 3780675   | Shaft type T               | 1   | Require flat key  |
| 310                   | 3780677   | Shaft type U               | 1   |                   |
| 321                   | 3724448*  | Flat Key for K shaft       | 1   |                   |
| 321                   | 3724440*  | Flat Key for T shaft       | 1   |                   |
| 430                   | 3724475** | Barrel Support             | 1   |                   |
| 452                   | 3787847   | Ring Gear                  | 1   |                   |

**Seal kit contain:**

O-rings pos: 221, 225, 229

Shaft seal pos: 233

Retaining rings pos: 237, 238

**For other parts please contact Parker Hannifin****Seal kits**

3793499 Sealing kit type V FPM

3785136 Sealing kit type N NBR

**Repair Spare part Kit**

3787800 Type M (Motor)

3723983 Type L (CCW pump)

3723984 Type R (CW pump)

**Bearing spare part kit**

3723974 Bearing kit

**Shim kit**

3721333 Shims kit

**Repair spare part kit contain:**

Valve plate pos: 121

Cylinder Barrel pos: 411

Pistons pos: 440 (7 pcs)

Hex Screws pos: 491 (4 pcs)

**Bearing spare part kit contain:**

Tap Rol Bearing pos: 460, 470

Spacer pos: 476

Retaining rings pos: 478

**Shim kit contain:**

Shims pos: 488

(1 pcs on each side)

\*Kit contain 100 pcs, \*\*Kit contain 20 pcs

| Pos                   | Part No   | Description                | Qty | Remarks           |
|-----------------------|-----------|----------------------------|-----|-------------------|
| <b>Housing parts</b>  |           |                            |     |                   |
| 61                    |           | Hex Socket Plug M12*1      | 1   | VSTI12X1EDVITCF   |
| 110                   | 3780658   | Barrel Housing Assy Type F | 1   |                   |
| 110                   | 3780660   | Barrel Housing Assy Type S | 1   |                   |
| 130                   |           | Hex Socket Plug S housing  | 1   | 10 HP50N-S        |
| 130                   |           | Hex Socket Plug F housing  | 1   | VSTI22X1.5EDVITCF |
| 211                   | 3780327   | Bearing Housing Type C     | 1   | Require item 61   |
| 211                   | 3780813   | Bearing Housing Type I     | 1   | Require item 61   |
| 211                   | 3780812   | Bearing Housing Type S     | 1   | Require item 61   |
| 231                   | 3796200   | Seal Carrier               | 1   |                   |
| <b>Rotating parts</b> |           |                            |     |                   |
| 310                   | 3780671   | Shaft type C               | 1   |                   |
| 310                   | 3780673   | Shaft type D               | 1   |                   |
| 310                   | 3780667   | Shaft type K               | 1   | Require flat key  |
| 310                   | 3780669   | Shaft type S               | 1   |                   |
| 310                   | 3780675   | Shaft type T               | 1   | Require flat key  |
| 310                   | 3780677   | Shaft type U               | 1   |                   |
| 321                   | 3724448*  | Flat Key for K shaft       | 1   |                   |
| 321                   | 3724440*  | Flat Key for T shaft       | 1   |                   |
| 430                   | 3724475** | Barrel Support             | 1   |                   |
| 452                   | 3787847   | Ring Gear                  | 1   |                   |

**For other parts please contact Parker Hannifin**

#### Seal kits

|         |                        |
|---------|------------------------|
| 3793499 | Sealing kit type V FPM |
| 3785136 | Sealing kit type N NBR |

#### Repair Spare part Kit

|         |                   |
|---------|-------------------|
| 3787801 | Type M (Motor)    |
| 3723985 | Type L (CCW pump) |
| 3723986 | Type R (CW pump)  |

#### Bearing spare part kit

|         |             |
|---------|-------------|
| 3723974 | Bearing kit |
|---------|-------------|

#### Shim kit

|         |           |
|---------|-----------|
| 3721333 | Shims kit |
|---------|-----------|

#### Seal kit contain:

O-rings pos: 221, 225, 229  
 Shaft seal pos: 233  
 Retaining rings pos: 237, 238

#### Repair spare part kit contain:

Valve plate pos: 121  
 Cylinder Barrel pos: 411  
 Pistons pos: 440 (7 pcs)  
 Hex Screws pos: 491 (4 pcs)

#### Bearing spare part kit contain:

Tap Rol Bearing pos: 460, 470  
 Spacer pos: 476  
 Retaining rings pos: 478

#### Shim kit contain:

Shims pos: 488  
 (1 pcs on each side)

\*Kit contain 100 pcs, \*\*Kit contain 20 pcs



**F12-110 from serial no. 200402010001 and up**

| Pos                   | Part No   | Description                | Qty | Remarks           |
|-----------------------|-----------|----------------------------|-----|-------------------|
| <b>Housing parts</b>  |           |                            |     |                   |
| 61                    |           | Hex Socket Plug M12*1      | 1   | VSTI12X1EDVITCF   |
| 110                   | 3709914   | Barrel Housing Assy Type F | 1   |                   |
| 110                   | 3794372   | Barrel Housing Assy Type S | 1   |                   |
| 130                   |           | Hex Socket Plug S housing  | 1   | 12 HP50N-S        |
| 130                   |           | Hex Socket Plug F housing  | 1   | VSTI22X1.5EDVITCF |
| 211                   | 3781449   | Bearing Housing Type C     | 1   | Require item 61   |
| 211                   | 3781447   | Bearing Housing Type I     | 1   | Require item 61   |
| 211                   | 3781448   | Bearing Housing Type S     | 1   | Require item 61   |
| 231                   | 3796182   | Seal Carrier               | 1   |                   |
| <b>Rotating parts</b> |           |                            |     |                   |
| 310                   | 3783323   | Shaft type C               | 1   |                   |
| 310                   | 3783322   | Shaft type D               | 1   |                   |
| 310                   | 3783321   | Shaft type K               | 1   | Require flat key  |
| 310                   | 3783320   | Shaft type S               | 1   |                   |
| 310                   | 3783324   | Shaft type T               | 1   | Require flat key  |
| 321                   | 3724446*  | Flat Key for K shaft       | 1   |                   |
| 321                   | 3724439*  | Flat Key for T shaft       | 1   |                   |
| 430                   | 3724476** | Barrel Support             | 1   |                   |
| 452                   | 3783319   | Ring Gear                  | 1   |                   |

**Seal kit contain:**

O-rings pos: 221, 225, 229

Shaft seal pos: 233

Retaining rings pos: 237, 238

**For other parts please contact Parker Hannifin****Seal kits**

3798092 Sealing kit type V FPM

3785137 Sealing kit type N NBR

**Repair Spare part Kit**

3787802 Type M (Motor)

3723987 Type L (CCW pump)

3723988 Type R (CW pump)

**Bearing spare part kit**

3723975 Bearing kit

**Shim kit**

3721334 Shims kit

**Repair spare part kit contain:**

Valve plate pos: 121

Cylinder Barrel pos: 411

Pistons pos: 440 (7 pcs)

Hex Screws pos: 491 (4 pcs)

**Bearing spare part kit contain:**

Tap Rol Bearing pos: 460, 470

Spacer pos: 476

Retaining rings pos: 478

**Shim kit contain:**

Shims pos: 488

(1 pcs on each side)

\*Kit contain 100 pcs, \*\*Kit contain 20 pcs

| Pos                   | Part No   | Description                | Qty | Remarks           |
|-----------------------|-----------|----------------------------|-----|-------------------|
| <b>Housing parts</b>  |           |                            |     |                   |
| 61                    |           | Hex Socket Plug M12*1      | 1   | VSTI12X1EDVITCF   |
| 110                   | 3709914   | Barrel Housing Assy Type F | 1   |                   |
| 110                   | 3794372   | Barrel Housing Assy Type S | 1   |                   |
| 130                   |           | Hex Socket Plug S housing  | 1   | 12 HP50N-S        |
| 130                   |           | Hex Socket Plug F housing  | 1   | VSTI22X1.5EDVITCF |
| 211                   | 3781449   | Bearing Housing Type C     | 1   | Require item 61   |
| 211                   | 3781447   | Bearing Housing Type I     | 1   | Require item 61   |
| 211                   | 3781448   | Bearing Housing Type S     | 1   | Require item 61   |
| 231                   | 3796182   | Seal Carrier               | 1   |                   |
| <b>Rotating parts</b> |           |                            |     |                   |
| 310                   | 3783323   | Shaft type C               | 1   |                   |
| 310                   | 3783322   | Shaft type D               | 1   |                   |
| 310                   | 3783321   | Shaft type K               | 1   | Require flat key  |
| 310                   | 3783320   | Shaft type S               | 1   |                   |
| 310                   | 3783324   | Shaft type T               | 1   | Require flat key  |
| 321                   | 3724446*  | Flat Key for K shaft       | 1   |                   |
| 321                   | 3724439*  | Flat Key for T shaft       | 1   |                   |
| 430                   | 3724476** | Barrel Support             | 1   |                   |
| 452                   | 3783319   | Ring Gear                  | 1   |                   |

**For other parts please contact Parker Hannifin**

#### Seal kits

|         |                        |
|---------|------------------------|
| 3798092 | Sealing kit type V FPM |
| 3785137 | Sealing kit type N NBR |

#### Repair Spare part Kit

|         |                   |
|---------|-------------------|
| 3787803 | Type M (Motor)    |
| 3723989 | Type L (CCW pump) |
| 3723990 | Type R (CW pump)  |

#### Bearing spare part kit

|         |             |
|---------|-------------|
| 3723975 | Bearing kit |
|---------|-------------|

#### Shim kit

|         |           |
|---------|-----------|
| 3721334 | Shims kit |
|---------|-----------|

#### Seal kit contain:

O-rings pos: 221, 225, 229  
Shaft seal pos: 233  
Retaining rings pos: 237, 238

#### Repair spare part kit contain:

Valve plate pos: 121  
Cylinder Barrel pos: 411  
Pistons pos: 440 (7 pcs)  
Hex Screws pos: 491 (4 pcs)

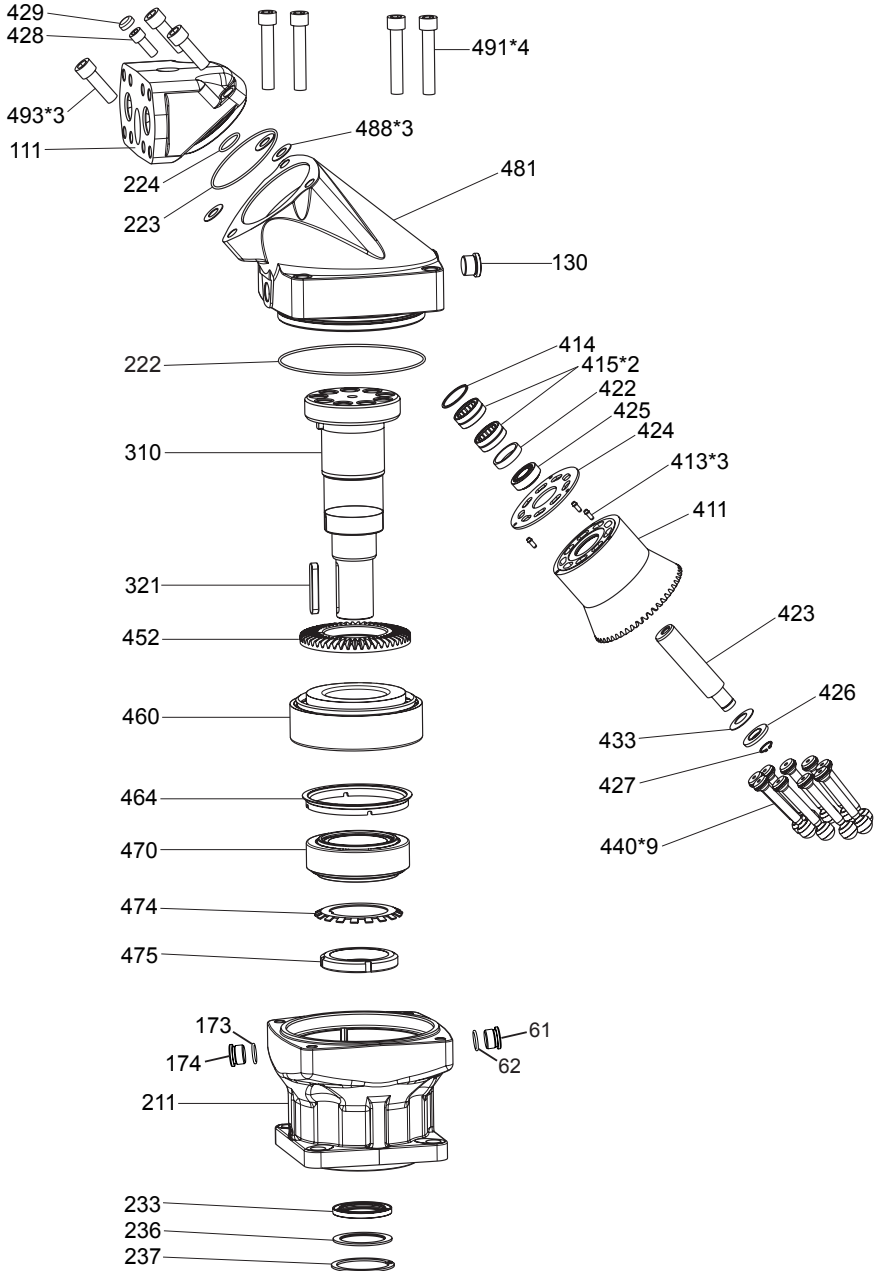
#### Bearing spare part kit contain:

Tap Rol Bearing pos: 460, 470  
Spacer pos: 476  
Retaining rings pos: 478

#### Shim kit contain:

Shims pos: 488  
(1 pcs on each side)

\*Kit contain 100 pcs, \*\*Kit contain 20 pcs



| Pos                   | Part No  | Description            | Qty | Remarks                  |
|-----------------------|----------|------------------------|-----|--------------------------|
| <b>Housing parts</b>  |          |                        |     |                          |
| 61                    |          | Hex Socket Plug M12*1  | 1   | VST112X1EDVITCF          |
| 111                   | 3795856  | End Cap QF Motor       | 1   |                          |
| 130                   |          | Hex Socket Plug        | 1   | VST13/4EDVITCF           |
| 174                   |          | Hex Socket Plug        | 1   | VST112X1EDVITCF          |
| 211                   | 3787080  | Bearing Housing Type S | 1   | Require item 130 174 251 |
| 251                   |          | Hex Socket Plug        | 1   | 4 HP50N-S                |
| 481                   | 3788726  | Barrel housing         | 1   | Require item 61          |
| <b>Rotating parts</b> |          |                        |     |                          |
| 310                   | 3788751  | Shaft type K           | 1   | Require flat key         |
| 310                   | 3789501  | Shaft type F           | 1   |                          |
| 310                   | 3788839  | Shaft type S           | 1   |                          |
| 321                   | 3724446* | Flat Key for K shaft   | 1   |                          |
| 452                   | 3787126  | Ring Gear              | 1   |                          |

**For other parts please contact Parker Hannifin**

|         |                               |
|---------|-------------------------------|
|         | <b>Seal kits</b>              |
| 3797126 | Sealing kit type V FPM        |
|         | <b>Repair Spare part Kit</b>  |
| 3723738 | REPAIR SPARE KIT F12-250      |
|         | <b>Bearing spare part kit</b> |
| 3723976 | Bearing kit                   |
|         | <b>Shim kit</b>               |
| 3721336 | Shims kit                     |

**Seal kit contain:**

O-rings pos: 222, 223, 224  
 Shaft seal pos: 233  
 Back up ring pos: 236  
 Retaining rings pos: 237  
 Hex Screw pos: 428, 429

**Repair spare part kit contain pos:**

411,413, 414, 415, 422,423,  
 424, 425, 426, 427, 428, 429,  
 433, 440, 491, 493

**Bearing spare part kit contain:**

Tap Rol Bearing pos: 460, 470  
 Spacer ring pos: 464  
 Lock washer pos: 474  
 Round nut pos: 475

**Shim kit contain:**

Shims pos: 488  
 (1 pcs on each side)

\*Kit contain 100 pcs

---

## Notes

A series of horizontal dotted lines for taking notes, spanning the width of the page.

---

## Notes

Lined area for notes, consisting of multiple horizontal dashed lines.

---

## Notes

A series of horizontal dotted lines for taking notes.

## Declaration

---

### Position notification regarding Machinery Directive 2006/42/EC:

Products made by the Pump & Motor Division Europe (PMDE) of Parker Hannifin are excluded from the scope of the machinery directive following the "Cetop" Position Paper on the implementation of the Machinery Directive 2006/42/EC in the Fluid Power Industry.

All PMDE products are designed and manufactured considering the basic as well as the proven safety principles according to:

- ISO 13849-1:2015
- SS-EN ISO 4413:2010

so that the machines in which the products are incorporated meet the essential health and safety requirements.

Confirmations for components to be proven component, e. g. for validation of hydraulic systems, can only be provided after an analysis of the specific application, as the fact to be a proven component mainly depends on the specific application.

#### Dr. Hans Haas

General Manger

Pump & Motor Division Europe



### WARNING – USER RESPONSIBILITY

FAILURE OR IMPROPER SELECTION OR IMPROPER USE OF THE PRODUCTS DESCRIBED HEREIN OR RELATED ITEMS CAN CAUSE DEATH, PERSONAL INJURY AND PROPERTY DAMAGE.

This document and other information from Parker-Hannifin Corporation, its subsidiaries and authorized distributors provide product or system options for further investigation by users having technical expertise.

The user, through its own analysis and testing, is solely responsible for making the final selection of the system and components and assuring that all performance, endurance, maintenance, safety and warning requirements of the application are met. The user must analyze all aspects of the application, follow applicable industry standards, and follow the information concerning the product in the current product catalogue and in any other materials provided from Parker or its subsidiaries or authorized distributors.

To the extent that Parker or its subsidiaries or authorized distributors provide component or system options based upon data or specifications provided by the user, the user is responsible for determining that such data and specifications are suitable and sufficient for all applications and reasonably foreseeable uses of the components or systems.

### Offer of Sale

Please contact your Parker representation for a detailed "Offer of Sale".



#### Parker Hannifin Manufacturing Sweden AB

Pump & Motor Division Europe

Flygmotorvägen 2

461 82 Trollhättan

Sweden

Tel. +46 (0)520 40 45 00

[www.parker.com/pmde](http://www.parker.com/pmde)

MSG30-5513-M1/UK

© Copyright 2021  
All rights reserved