



Visit our homepage  
for additional support  
[parker.com/pmde](http://parker.com/pmde)

Bulletin MSG30-5511-M1/UK

## Spare Parts Series F11

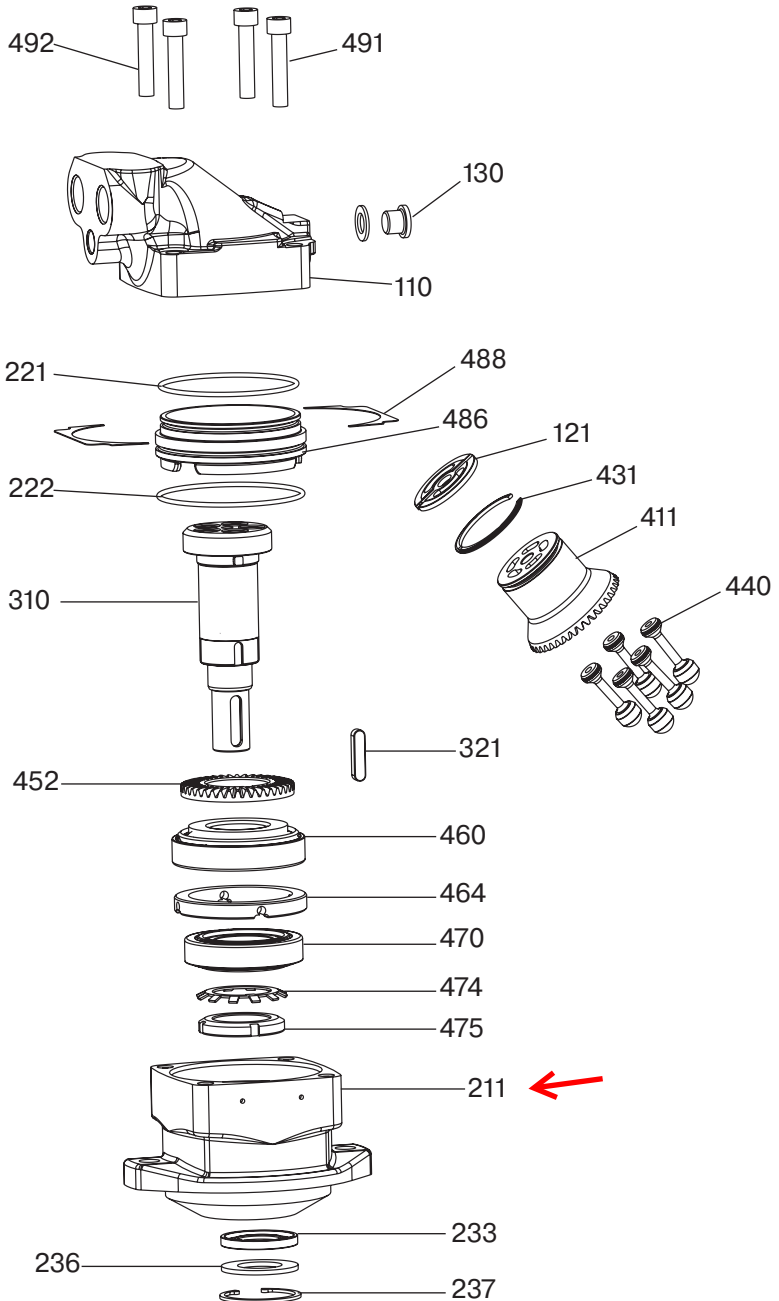
---

Effective: May 01, 2021

Supersedes: September, 2020



ENGINEERING YOUR SUCCESS.



Pos	Part No	Description	Qty	Remarks
<b>Housing parts</b>				
110	3703007	Barrel Housing Assy Type B	1	Require item 130
110	3704304	Barrel Housing Assy Type U	1	Require item 130
130		Hex Socket Plug Assy BSP	1	VSTI1/4EDVITCF
130		Hex Socket Plug Assy UN	1	6 HP5ON-S
211	3700520	Bearing Housing Type C	1	
486	3797258	Guide Spacer	1	
<b>Rotating parts</b>				
310	3796077	Shaft Assy type K	1	Require item 321
321	3796440	Flat Key type K	1	
452	3795831	Ring Gear	1	

**For other parts please contact Parker Hannifin****Seal kits**

- 3797118 Sealing kit type V FPM  
3797109 Sealing kit type N NBR

**Repair Spare part Kit**

- 3721300 Type M (Motor)  
3723953 Type H (High pressure Motor)  
3723954 Type L (CCW pump)  
3723955 Type R (CW pump)

**Bearing spare part kit**

- 3723967 Bearing kit

**Shim kit**

- 3721345 Shims kit 0,8 mm

**Seal kit contain:**

O-rings pos: 221, 222  
Shaft seal pos: 233  
Back-up Ring pos: 236  
Retaining rings pos: 237

**Repair spare part kit contain:**

Valve plate pos: 121  
Cylinder Barrel pos: 411  
Barrel Retaining Ring pos: 431  
Pistons pos: 440 (5 pcs)  
Hex Screws pos: 491, 492 (4 pcs)

**Bearing spare part kit contain:**

Tap Rol Bearing pos: 460, 470  
Lock washer pos: 474  
Round nut pos: 475

**Shim kit contain:**

Shims pos: 488 (1 pcs on each side)

Pos	Part No	Description	Qty	Remarks
<b>Housing parts</b>				
110	3795133	Barrel Housing Assy Type B	1	Require item 130
130		Hex Socket Plug Assy BSP	1	VSTI3/8EDVITCF
211	3700905	Bearing Housing Type C	1	
486	3783044	Guide Spacer	1	
<b>Rotating parts</b>				
310	3796083	Shaft Assy type D	1	
310	3796080	Shaft Assy type K	1	Require item 321
310	3785221	Shaft Assy type S	1	
321	3796439	Flat Key type K	1	
452	3795832	Ring Gear	1	

### For other parts please contact Parker Hannifin

#### Seal kits

3783269 Sealing kit type V FPM

#### Repair Spare part Kit

3723956 Type M (Motor)

#### Bearing spare part kit

3723968 Bearing kit

#### Shim kit

3721346 Shims kit 0,8 mm

#### Seal kit contain:

O-rings pos: 221, 222

Shaft seal pos: 233

Back-up Ring pos: 236

Retaining rings pos: 237

#### Repair spare part kit contain:

Valve plate pos: 121

Cylinder Barrel pos: 411

Barrel Retaining Ring pos: 431

Pistons pos: 440 (5 pcs)

Hex Screws pos: 491, 492 (4 pcs)

#### Bearing spare part kit contain:

Tap Rol Bearing pos: 460, 470

Lock washer pos: 474

Round nut pos: 475

#### Shim kit contain:

Shims pos: 488 (1 pcs on each side)

Pos	Part No	Description	Qty	Remarks
<b>Housing parts</b>				
110	3703010	Barrel Housing Assy Type B	1	Require item 130
110	3704105	Barrel Housing Assy Type U	1	Require item 130
130		Hex Socket Plug Assy BSP	1	VSTI3/8EDVITCF
130		Hex Socket Plug Assy UN	1	6 HP5ON-S
211	3700905	Bearing Housing Type C	1	
211	3783242	Bearing Housing Type S	1	
211	3784906	Bearing Housing Type X	1	Saw motor flange
486	3783044	Guide Spacer	1	
<b>Rotating parts</b>				
310	3796083	Shaft Assy type D	1	
310	3796080	Shaft Assy type K	1	Require item 321
310	3785221	Shaft Assy type S	1	
321	3796439	Flat Key type K	1	
452	3795832	Ring Gear	1	

### For other parts please contact Parker Hannifin

#### Seal kits

3783269	Sealing kit type V FPM
3797111	Sealing kit type N NBR
3783383	Sealing kit type S PTFE

#### Seal kit contain:

O-rings pos: 221, 222  
 Shaft seal pos: 233  
 Back-up Ring pos: 236  
 Retaining rings pos: 237

#### Repair Spare part Kit

3721304	Type M (Motor)
3721305	Type S (High speed Motor)
3723957	Type H (High pressure Motor)
3723958	Type L (CCW pump)
3723959	Type R (CW pump)

#### Repair spare part kit contain:

Valve plate pos: 121  
 Cylinder Barrel pos: 411  
 Barrel Retaining Ring pos: 431  
 Pistons pos: 440 (5 pcs)  
 Hex Screws pos: 491, 492 (4 pcs)

#### Bearing spare part kit

3723968	Bearing kit
---------	-------------

#### Bearing spare part kit contain:

Tap Rol Bearing pos: 460, 470  
 Lock washer pos: 474  
 Round nut pos: 475

#### Shim kit

3721346	Shims kit 0,8 mm
---------	------------------

#### Shim kit contain:

Shims pos: 488 (1 pcs on each side)

Pos	Part No	Description	Qty	Remarks
<b>Housing parts</b>				
110	3783214	Barrel Housing Assy Type B	1	Require item 130
130		Hex Socket Plug Assy BSP	1	VSTI3/8EDVITCF
211	3700905	Bearing Housing Type C	1	
211	3783242	Bearing Housing Type S	1	
486	3783044	Guide Spacer	1	
<b>Rotating parts</b>				
310	3796083	Shaft Assy type D	1	
310	3796080	Shaft Assy type K	1	Require item 321
310	3785221	Shaft Assy type S	1	
321	3796439	Flat Key type K	1	
452	3795832	Ring Gear	1	

### For other parts please contact Parker Hannifin

#### Seal kits

3783269	Sealing kit type V FPM
3797111	Sealing kit type N NBR
3783383	Sealing kit type S PTFE

#### Repair Spare part Kit

3723960	Type Q (Low noise motor)
3721358	Type S (High speed Motor)
3723962	Type L (CCW pump)
3723963	Type R (CW pump)

#### Bearing spare part kit

3723968	Bearing kit
---------	-------------

#### Shim kit

3721346	Shims kit 0,8 mm
---------	------------------

#### Seal kit contain:

O-rings pos: 221, 222  
 Shaft seal pos: 233  
 Back-up Ring pos: 236  
 Retaining rings pos: 237

#### Repair spare part kit contain:

Valve plate pos: 121  
 Cylinder Barrel pos: 411  
 Barrel Retaining Ring pos: 431  
 Pistons pos: 440 (5 pcs)  
 Hex Screws pos: 491, 492 (4 pcs)

#### Bearing spare part kit contain:

Tap Rol Bearing pos: 460, 470  
 Lock washer pos: 474  
 Round nut pos: 475

#### Shim kit contain:

Shims pos: 488 (1 pcs on each side)

Pos	Part No	Description	Qty	Remarks
<b>Housing parts</b>				
110	3783214	Barrel Housing Assy Type B	1	Require item 130
130		Hex Socket Plug Assy BSP	1	VSTI3/8EDVITCF
211	3783240	Bearing Housing Type C	1	
211	3783223	Bearing Housing Type S	1	
211	3784908	Bearing Housing Type W	1	Saw motor flange
486	3783044	Guide Spacer	1	
<b>Rotating parts</b>				
310	3782825	Shaft Assy type K	1	Require item 321
310	3783281	Shaft Assy type S	1	
310	3783282	Shaft Assy type T	1	Require item 321
310	3783382	Shaft Assy type X	1	For housing 3784908
321	909305	Flat Key type K	1	
321	118225	Flat Key type T	1	
321	909306	Flat Key type X	1	For shaft 3783382
452	3795832	Ring Gear	1	

**For other parts please contact  
Parker Hannifin**

**Seal kits**

3785038	Sealing kit type V FPM
3721538	Sealing kit type S PTFE

**Repair Spare part Kit**

3723960	Type Q (Low noise motor)
3721358	Type S (High speed Motor)
3723962	Type L (CCW pump)
3723963	Type R (CW pump)

**Bearing spare part kit**

3723968	Bearing kit
---------	-------------

**Shim kit**

3721346	Shims kit 0,8 mm
---------	------------------

**Seal kit contain:**

O-rings pos: 221, 222  
 Shaft seal pos: 233  
 Back-up Ring pos: 236  
 Retaining rings pos: 237

**Repair spare part kit contain:**

Valve plate pos: 121  
 Cylinder Barrel pos: 411  
 Barrel Retaining Ring pos: 431  
 Pistons pos: 440 (5 pcs)  
 Hex Screws pos: 491, 492 (4 pcs)

**Bearing spare part kit contain:**

Tap Rol Bearing pos: 460, 470  
 Lock washer pos: 474  
 Round nut pos: 475

**Shim kit contain:**

Shims pos: 488 (1 pcs on each side)

Pos	Part No	Description	Qty	Remarks
<b>Housing parts</b>				
110	3704782	Barrel Housing Assy Type B	1	Require item 130
110	3703438	Barrel Housing Assy Type U	1	Require item 130
130		Hex Socket Plug Assy BSP	1	VSTI3/8EDVITCF
130		Hex Socket Plug Assy UN	1	6 HP5ON-S
211	3788269	Bearing Housing Type C	1	
211	3700237	Bearing Housing Type S	1	
211	3784910	Bearing Housing Type X	1	Saw motor flange
486	3785236	Guide Spacer	1	
<b>Rotating parts</b>				
310	3796087	Shaft Assy type K	1	Require item item 321
310	3796092	Shaft Assy type S	1	
310	3796089	Shaft Assy type T	1	Require item item 321
310	3797255	Shaft Assy type X	1	For housing 3784910
321	909305	Flat Key type K	1	
321	118225	Flat Key type T	1	
321	909306	Flat Key type X	1	For shaft 3797255
452	3795833	Ring Gear	1	

**For other parts please contact  
Parker Hannifin**

**Seal kits**

3783270	Sealing kit type V FPM
3783384	Sealing kit type S PTFE
3797112	Sealing kit type N NBR

**Repair Spare part Kit**

3721306	Type M (Motor)
3721267	Type S (High speed Motor)
3723964	Type H (High pressure Motor)
3723965	Type L (CCW pump)
3723966	Type R (CW pump)

**Bearing spare part kit**

3723969	Bearing kit standard
3723970	Bearing kit housing 3784910

**Shim kit**

3721347	Shims kit 0,8 mm
---------	------------------

**Seal kit contain:**

O-rings pos: 221, 222  
 Shaft seal pos: 233  
 Back-up Ring pos: 236  
 Retaining rings pos: 237

**Repair spare part kit contain:**

Valve plate pos: 121  
 Cylinder Barrel pos: 411  
 Barrel Retaining Ring pos: 431  
 Pistons pos: 440 (5 pcs)  
 Hex Screws pos: 491, 492 (4 pcs)

**Bearing spare part kit contain:**

Tap Rol Bearing pos: 460, 470  
 Lock washer pos: 474  
 Round nut pos: 475

**Shim kit contain:**

Shims pos: 488 (1 pcs on each side)



---

## Notes

A series of horizontal dotted lines for taking notes, spanning the width of the page.



---

## Notes

A series of horizontal dotted lines provided for taking notes.

## Declaration

---

### Position notification regarding Machinery Directive 2006/42/EC:

Products made by the Pump & Motor Division Europe (PMDE) of Parker Hannifin are excluded from the scope of the machinery directive following the "Cetop" Position Paper on the implementation of the Machinery Directive 2006/42/EC in the Fluid Power Industry.

All PMDE products are designed and manufactured considering the basic as well as the proven safety principles according to:

- ISO 13849-1:2015
- SS-EN ISO 4413:2010

so that the machines in which the products are incorporated meet the essential health and safety requirements.

Confirmations for components to be proven component, e. g. for validation of hydraulic systems, can only be provided after an analysis of the specific application, as the fact to be a proven component mainly depends on the specific application.

#### Dr. Hans Haas

General Manger

Pump & Motor Division Europe



### WARNING – USER RESPONSIBILITY

FAILURE OR IMPROPER SELECTION OR IMPROPER USE OF THE PRODUCTS DESCRIBED HEREIN OR RELATED ITEMS CAN CAUSE DEATH, PERSONAL INJURY AND PROPERTY DAMAGE.

This document and other information from Parker-Hannifin Corporation, its subsidiaries and authorized distributors provide product or system options for further investigation by users having technical expertise.

The user, through its own analysis and testing, is solely responsible for making the final selection of the system and components and assuring that all performance, endurance, maintenance, safety and warning requirements of the application are met. The user must analyze all aspects of the application, follow applicable industry standards, and follow the information concerning the product in the current product catalogue and in any other materials provided from Parker or its subsidiaries or authorized distributors.

To the extent that Parker or its subsidiaries or authorized distributors provide component or system options based upon data or specifications provided by the user, the user is responsible for determining that such data and specifications are suitable and sufficient for all applications and reasonably foreseeable uses of the components or systems.

### Offer of Sale

Please contact your Parker representation for a detailed "Offer of Sale".



#### Parker Hannifin Manufacturing Sweden AB

Pump & Motor Division Europe

Flygmotorvägen 2

461 82 Trollhättan

Sweden

Tel. +46 (0)520 40 45 00

[www.parker.com/pmde](http://www.parker.com/pmde)

MSG30-5511-M1/UK

© Copyright 2021  
All rights reserved