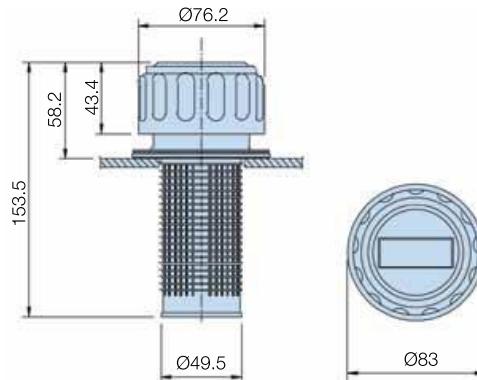


# Filler Breathers (Metal)

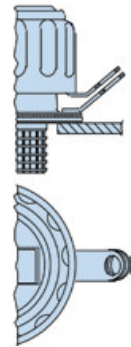
## Reservoir Equipment

### Metal Airbreather/Filler breather Specification



#### Locking lug option (5561)

For added security, certain Parker Filtration Metal Filler Breather Filters can be specified with a locking lug option.



Note: Dimensions relate to 1163 and 1730 options.  
Note: Max. operating temperature = +90°C.

### Ordering Information

#### Standard products table

Part number	Supersedes	Replacement cap	Supersedes	Displacement l/min	Crack pressure	Micron rating	Air flow m <sup>3</sup> /min	Thread	Weight
<b>Threaded airbreather (unpressurised)</b>									
<b>SAB156210</b>	SAB.1562.10	N/A	N/A	430	N/A	10µ abs	0.45	G <sup>3</sup> / <sub>4</sub>	0.20kg
<b>SAB156310</b>	SAB.1563.10	N/A	N/A	135	N/A	10µ abs	0.15	G <sup>1</sup> / <sub>4</sub>	0.06kg
<b>Filler breather - filter flange type (unpressurised)</b>									
<b>AB116310</b>	AB.1163.10	CAP.116310	CAP.1163.10	430	N/A	10µ abs	0.45	N/A	0.24kg
<b>AB138010</b>	AB.1380.10	CAP.138010	CAP.1380.10	135	N/A	10µ abs	0.15	N/A	0.08kg
<b>5561</b>	N/A	N/A	N/A	430	N/A	10µ abs	0.45	N/A	0.24kg
<b>Filler breather - filter flange type (pressurised)</b>									
<b>PAB1730105</b>	PAB.1730.10.5	CAP.1730105	CAP.1730.10.5	430	0.35 bar	10µ abs	0.45	N/A	0.27kg
<b>PAB17301010</b>	PAB.1730.10.10	CAP.17301010	CAP.1730.10.10	430	0.70 bar	10µ abs	0.45	N/A	0.27kg
<b>Air breather - threaded type (pressurised)</b>									
<b>SPA1731105</b>	SPA.1731.10.5	N/A	N/A	430	0.35 bar	10µ abs	0.45	G <sup>3</sup> / <sub>4</sub>	0.20kg
<b>SPA17311010</b>	SPA.1731.10.10	N/A	N/A	430	0.70 bar	10µ abs	0.45	G <sup>3</sup> / <sub>4</sub>	0.20kg

Note 1: Part numbers featured with bold highlighted codes will ensure a 'standard' product selection.

Note 2: Alternate displayed part number selection will require you to contact Parker Filtration for availability.