

# TTF Series

Tanktop Mounted Return Line Filters

Max 500 l/min - 10 bar



Featuring pre-filtration by means of a magnetic column

## Extended element life time

The TTF Series features pre-filtration by means of a magnet column and a quick response bypass with low hysteresis. Maximum pressure 10 bar. Maximum flow 500 l/min. A second return port is an available option as is a filling port in the filter cover.



## Contact Information:

Parker Hannifin  
**Hydraulic Filter Division Europe**

**European Product  
Information Centre**  
Freephone: 00800 27 27 5374  
(from AT, BE, CH, CZ, DE, EE, ES,  
FI, FR, IE, IT, PT, SE, SK, UK)  
filtrationinfo@parker.com

[www.parker.com/hfde](http://www.parker.com/hfde)

## Product Features:

- TTF features pre-filtration by means of a magnet column.
- Quick response bypass with low hysteresis.
- Maximum pressure 10 bar. Maximum flow 500 l/min.
- Options include a filling port in the filter cover and second return port.
- Patented *LEIF*® elements safeguard filtration quality.
- Flow from inside to out.

# TTF Series

## Tanktop Mounted Return Line Filters

### Features & Benefits

Features	Advantages	Benefits
10 bar rated filter	Can be utilised for severe return line applications	Reduced downtime due to premature filter failures
Cast aluminium head	Compact profile, lightweight and durable	Less weight, smaller envelop and cleaner appearance
LEIF® elements	Element safeguards the use of genuine parts	Guaranteed quality of filtration Contributes to ISO 14001 certification
Magnetic pre-filtration	Removes ferrous particles, even during bypass conditions	Improved fluid cleanliness levels Extended element life time
In-to-Out filtration	All captured contamination retains inside the element	No recontamination of system during change of elements
High level of customisation	Dedicated system-matched solutions can be easily made available	Improved integration of filter in system combined with lower initial system costs
Quick response bypass with low hysteresis	Reduction of bypass period due to low hysteresis Only a small part of the total flow is bypassing the element	Improved protection of system
Standard or customised funnel	Ensures that oil enters the tank under the oil level	Significant reduction of oil foaming

### Typical Applications

- Waste management trucks
- Mobile cranes
- Power packs
- Wheeled loaders
- Drilling equipment

### The Parker Filtration TTF Series Return Line Filters

TTF tank top mounted return line filters feature pre-filtration by means of a magnet column and a quick response bypass with low hysteresis. Thanks to the “In-to-Out” filter principle, contaminated oil cannot leak back into the system. TTF filters are available in versions capable of handling flow rates up to 500 l/min. They can operate up to a maximum working pressure of 10 bar. Optional filling port in filter cover, second return port and customised diffusers can be specified.



## Specification

### Operation pressure:

Max. 10 bar.

### Assembly:

Tank top mounted.

### Connections:

Threaded BSP ports.  
Flanged ports on request.

### Filter housing:

Aluminium head and cover.

### Seal material:

Nitrile, fluoroelastomer, neoprene.

### Operation temperature range:

Seal material Nitrile: -40 to +100°C.  
Seal material Fluoroelastomer: -20 to +120°C.

### Bypass setting

Opening pressure 0.8 / 1.5 or 2 bar.  
Other settings on request.

### Degree of filtration:

Determined by multipass test according to ISO 16889.

### Flow fatigue characteristics:

Filter media is supported so that the optimum fatigue life is achieved.

### Filtration media:

Microglass III and Ecoglass III for *LEIF*<sup>®</sup> elements.  
Also available 10µm cellulose and 40µm stainless steel mesh.

### Element burst rating:

10 bar (ISO 2941)

### Pressure indicator options:

Setting 0.7 or 1.2 bar.  
Other settings on request.  
Visual pressure gauge.  
Electrical pressure switch.

### Options:

Diffuser type P (straight pipe, no perforated plate area)  
Diffuser type T (with closed diffuser end cap and with perforated plate area, recommended when oil entry in reservoir is close to the reservoir bottom or to ensure oil entry under the reservoir oil level)

### Magnetic pack:

Standard. TTF400 and 500 are standard supplied without magnets

### Filling port in cover: (optional)

Plugged.

### Filter element:

*LEIF*<sup>®</sup> element with reusable metal element sleeve.

Optional conventional style element with steel end caps.

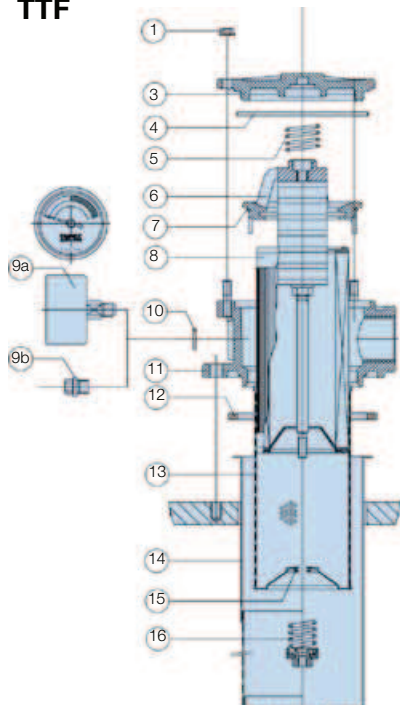
The *LEIF*<sup>®</sup> element is patented and safeguards the use of genuine parts.

Note: *LEIF*<sup>®</sup> element can be used with mineral and HEES type oils.

For other fluids consult Parker Filtration.

*LEIF*<sup>®</sup> contributes to ISO 14001 quality standards.

## TTF



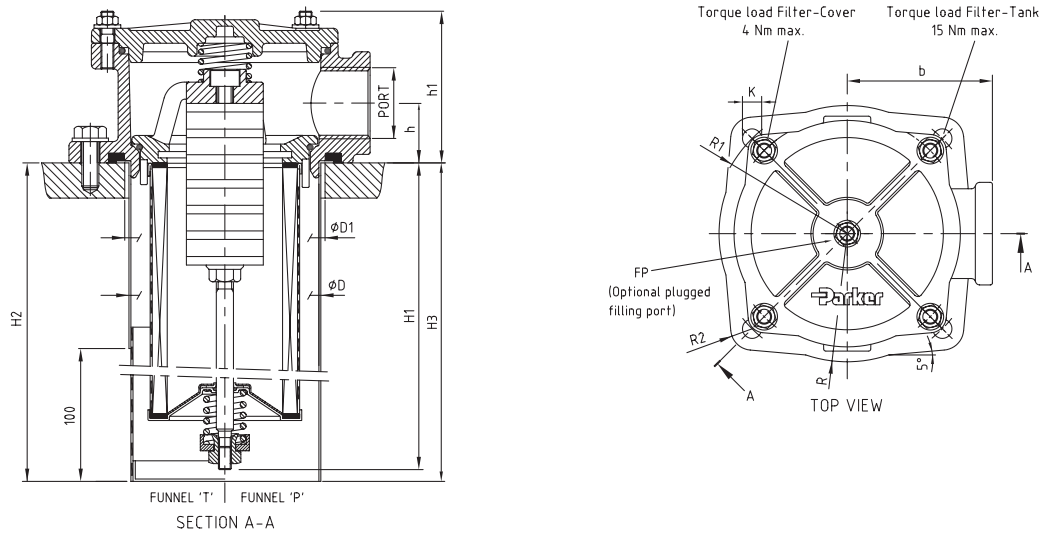
### TTF sealkit: No. 4+7+12

Ref.	No.	Description
1	4	Flange nut
3	1	Cover
4	1	Cover-seal
5	1	Top-spring
6	1	Insert
7	1	Insert-seal
8	1	Element
9a	0-1	Indicator
9b	0-3	Plug M10x1
10	0-3	Unit-ring
11	1	Housing
12	1	Gasket
13	1	Sleeve
14	1	Funnel/diffuser
15	1	O-ring
16	1	Bypass set

# TTF Series

## Tanktop Mounted Return Line Filters

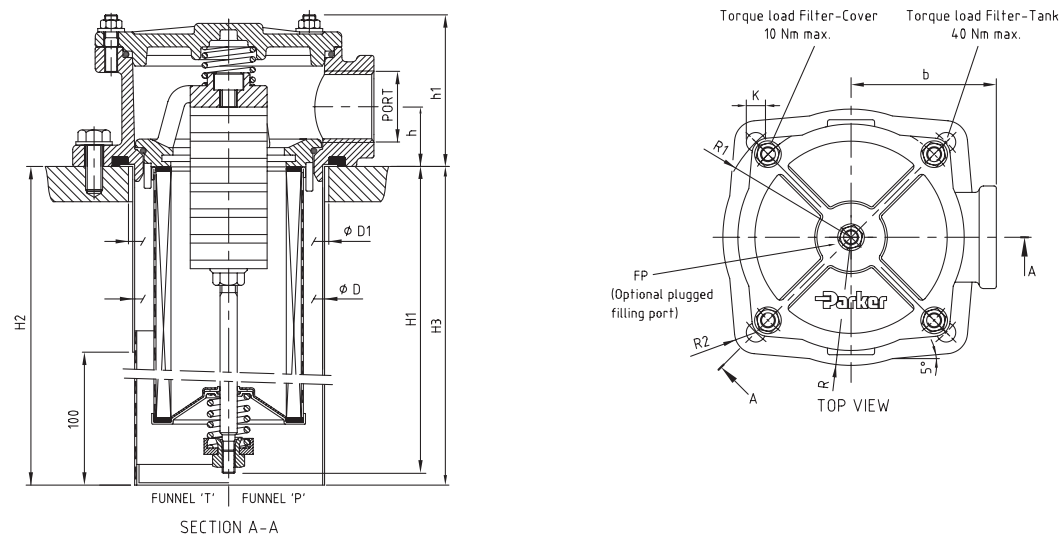
### TTF Lengths 2-5 Single port



TTF length	Type	Port option	h	h1	ØD	ØD1	H1	H2	H3	b	R	R1	R2	K	FP
2	TTF 1-60	G <sup>3</sup> / <sub>4</sub> , G1	28	73	Ø90	Ø93	131	190	190	68	60	63	10	4xØ9	G <sup>1</sup> / <sub>2</sub>
3	TTF 1-90						175	190	190						
4	TTF 1-120						225	330	330						
5	TTF 1-150						325	420	420						

Dimensions in mm

### TTF Lengths 6-10 Single port

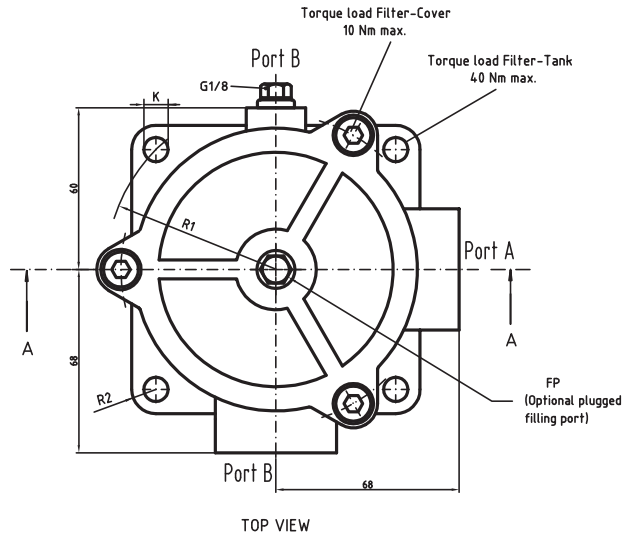
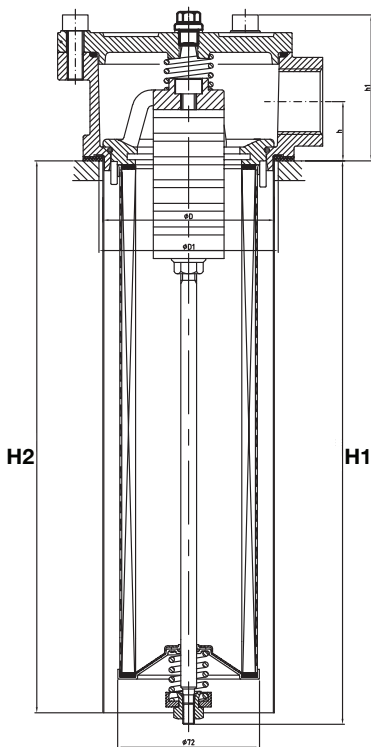


TTF length	Type	Port option	h	h1	ØD	ØD1	H1	H2	H3	b	R	R1	R2	K	FP
6	TTF 2-170	G <sup>1</sup> / <sub>4</sub> , G <sup>1</sup> / <sub>2</sub>	36	92	Ø132	Ø136	223	305	305	90	83	87.5	12	4xØ11	G <sup>3</sup> / <sub>4</sub>
7	TTF 2-230						303	305	305						
8	TTF 2-300						508	510	510						
9	TTF 2-400						523	525	525						
10	TTF 2-500						563	575	575						

Dimensions in mm



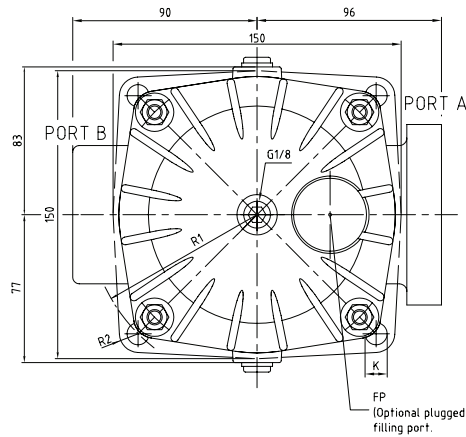
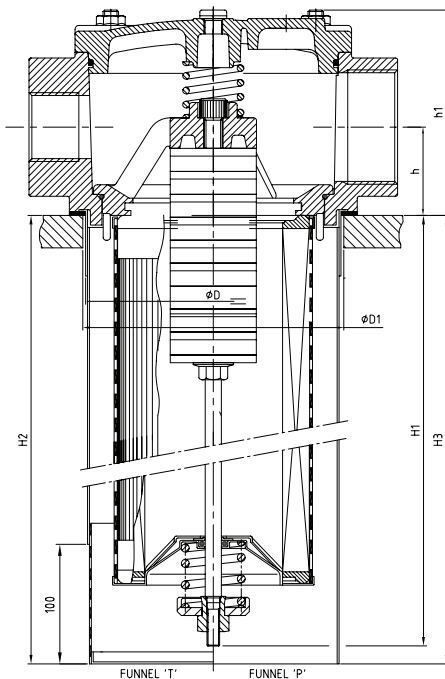
## TTF Lengths 2-5 Dual port



TTF length	Type	Port option A - B	h	h1	ØD	ØD1	H1	H2	b	R	R1	R2	K	FP
2	TTF 1-60	G1 - G1	30	74	Ø88	Ø91	131	190	90	83	87.5	12	4xØ11	G1/8
3	TTF 1-90						175	170						
4	TTF 1-120						225	220						
4A	TTF 1-140						285	280						
5	TTF 1-150						325	320						
4B	TTF 1-175						376	370						

Dimensions in mm

## TTF Lengths 6-10 Dual port



TTF length	Type	Dual Port option A-B	h	h1	ØD	ØD1	H1	H2	H3	R	R1	R2	K	FP
6	TTF 2-170	G1/2 - G1 1/2	46	107	Ø132	Ø136	223	318	318	83	87.5	12	4xØ11	G1
7	TTF 2-230						303	318	318					
8	TTF 2-300						508	538	538					
9**	TTF 2-400	SAE 1 1/2 - G1 1/2					523	538	538					
10**	TTF 2-500						563	578	578					

Dimensions in mm

# TTF Series

## Tanktop Mounted Return Line Filters

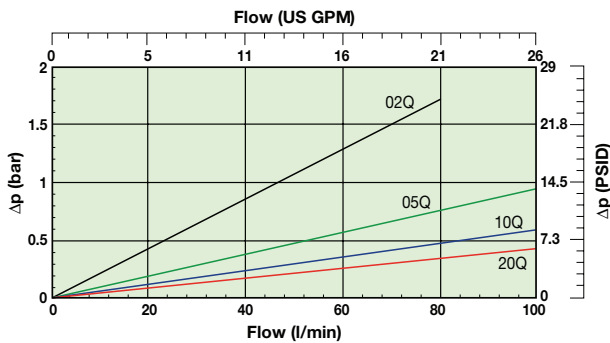
### Pressure Drop Curves

The recommended level of the initial pressure drop for low pressure filters is max 0.5 bar.

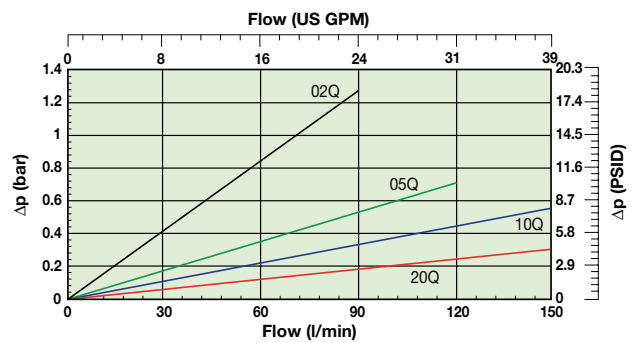
If the medium used has a viscosity different from 32cSt, pressure drop over the filter can be estimated as follows:

$$\Delta p = (\Delta p_{32} \times \text{viscosity of medium used}) / 32\text{cSt}$$

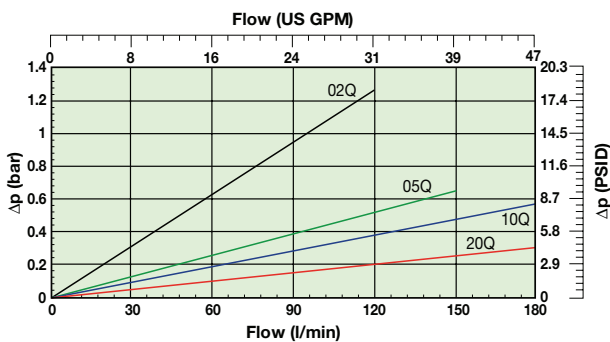
**TTF60 (Element length code 2)**



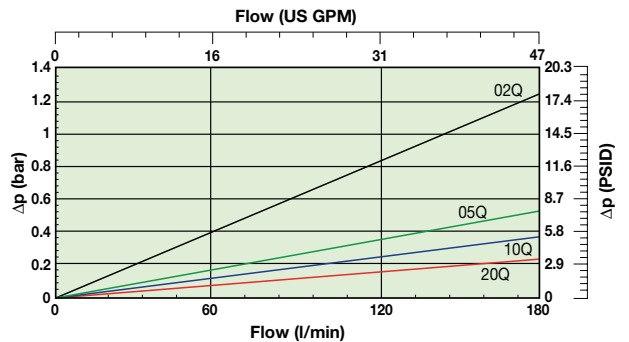
**TTF90 (Element length code 3)**



**TTF120 (Element length code 4)**



**TTF150 (Element length code 5)**



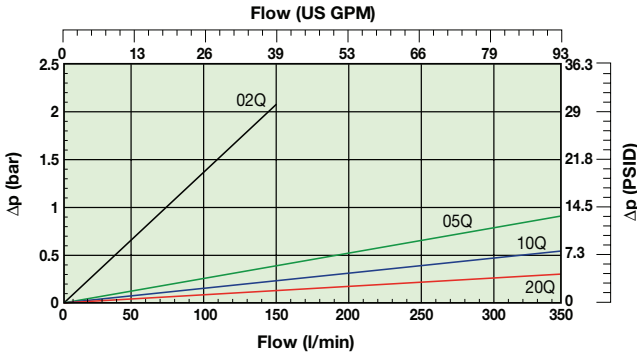
## Pressure Drop Curves (cont.)

The recommended level of the initial pressure drop for low pressure filters is max 0.5 bar.

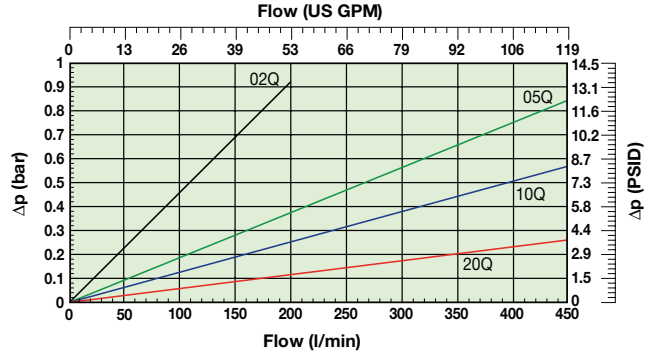
If the medium used has a viscosity different from 32cSt, pressure drop over the filter can be estimated as follows:

$$\Delta p = (\Delta p_{32} \times \text{viscosity of medium used}) / 32\text{cSt.}$$

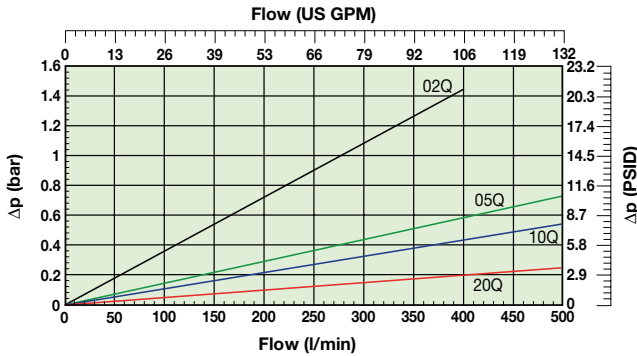
### TTF170 (Element length code 6)



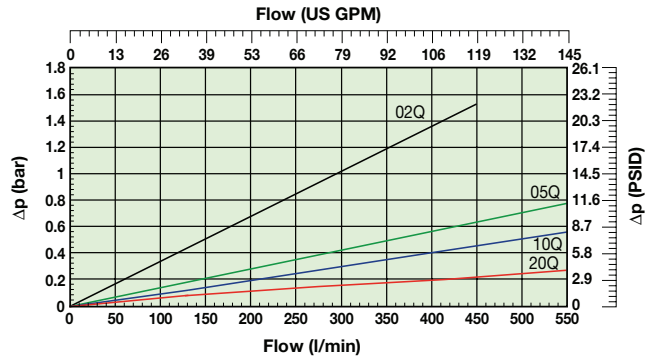
### TTF230 (Element length code 7)



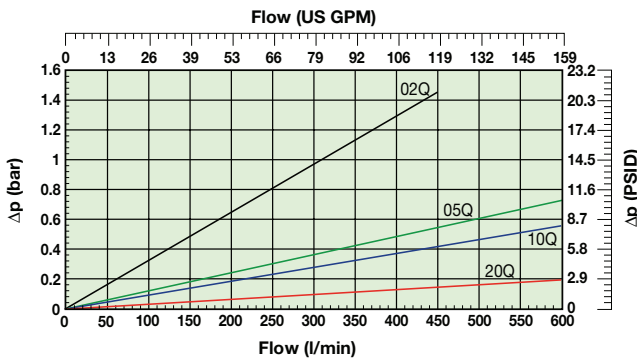
### TTF300 (Element length code 8)



### TTF400 (Element length code 9)



### TTF500 (Element length code 10)

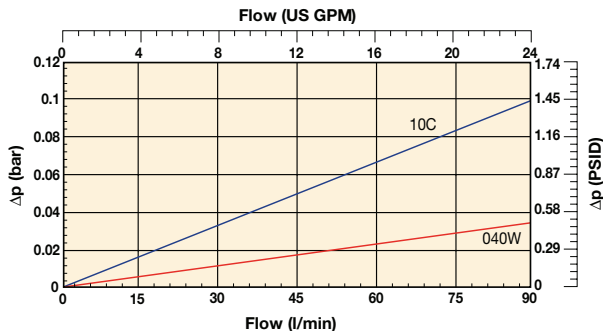


# TTF Series

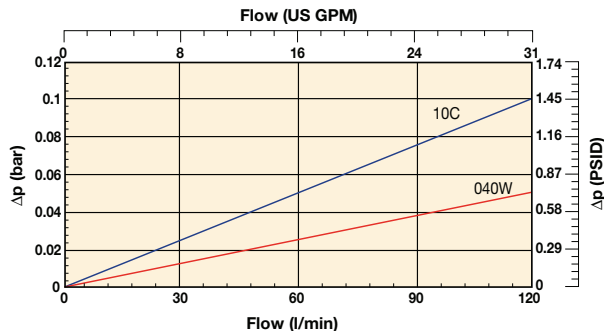
## Tanktop Mounted Return Line Filters

### Pressure Drop Curves (cont.)

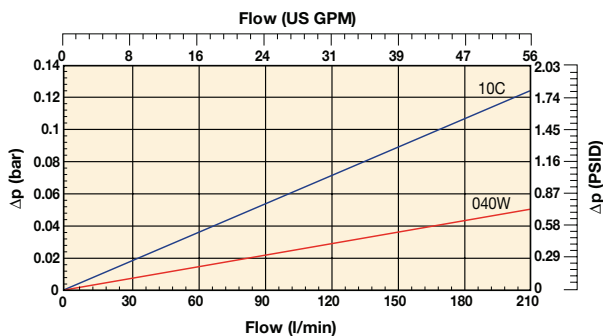
**TTF60 (Element length code 2)**  
Cellulose & stainless steel media



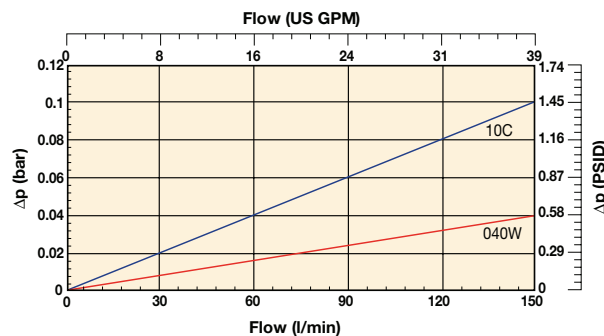
**TTF90 (Element length code 3)**  
Cellulose & stainless steel media



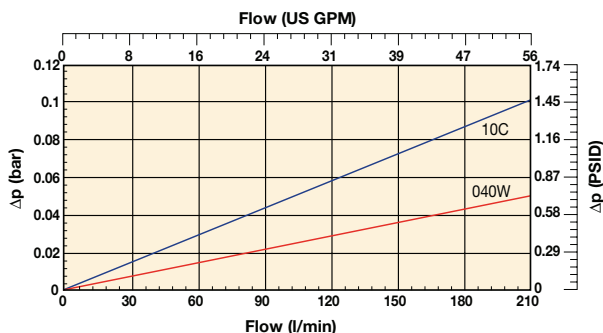
**TTF120 (Element length code 4)**  
Cellulose & stainless steel media



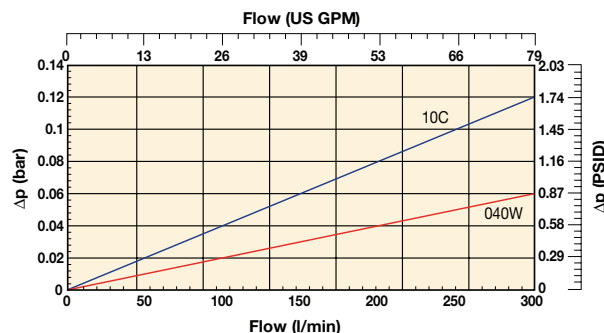
**TTF150 (Element length code 5)**  
Cellulose & stainless steel media



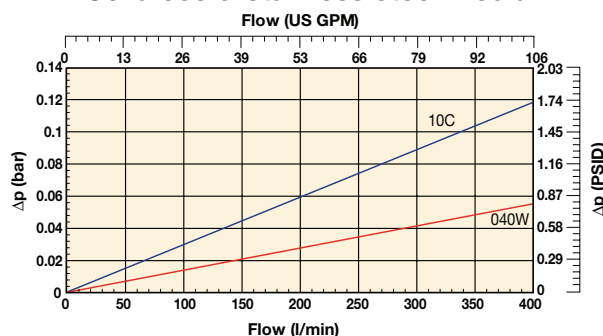
**TTF170 (Element length code 6)**  
Cellulose & stainless steel media



**TTF230 (Element length code 7)**  
Cellulose & stainless steel media



**TTF300 (Element length code 8)**  
Cellulose & stainless steel media



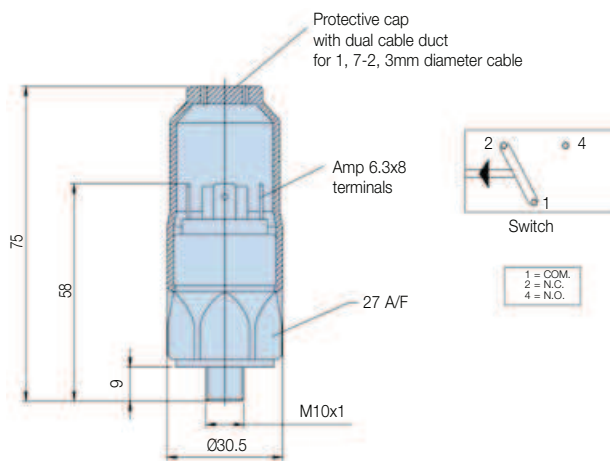


# TTF Series

## Tanktop Mounted Return Line Filters

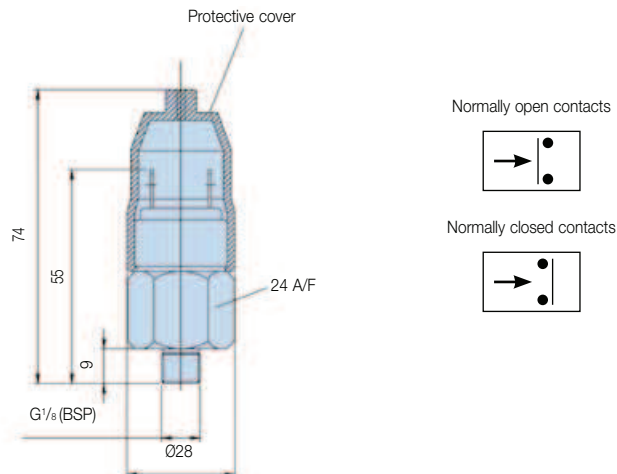
### Indicator Options

#### Indicator PS pressure switch



Specifications	
Elec.rating	42V / 4A
Thread connection	M10x1
Elec.connection	AMP 6.3x0.8 terminals + protective cap
Protection	IP65 (with cap) terminals IP00
Code	FMUS1EBMM10L (Switch)

#### Indicator PS NO/NC pressure switch



Specifications	
Elec.rating	42V / 2A
Thread connection	G1/8
Elec.connection	AMP terminal 6.3x0.8
Protection	IP65 (terminal IP00)
Switch type	NO or NC
Code	FMUS2EBMG02L (NO switch) FMUS3EBMG02L (NC switch)

#### Indicator Connection / Filter Head Matrix

Port(s) Filter head	Indicator Thread
TTF ISO 228-G <sup>3</sup> / <sub>4</sub> " (BSP) (TTF length 2,3,4 and 5)	M10
ISO 228-G1" (BSP)	M10
ISO 228-G1 <sup>1</sup> / <sub>2</sub> " (BSP) (TTF length 6 and larger)	M10
2xISO 228-G1 <sup>1</sup> / <sub>4</sub> " (BSP) (TTF length 6 and larger)	G1/8"
ISO 228-G1 <sup>1</sup> / <sub>2</sub> "(BSP) (TTF length 6 and larger)	M10
2xISO 228-G1 <sup>1</sup> / <sub>2</sub> "(BSP) (TTF length 6 and larger)	G1/8"
1 <sup>1</sup> / <sub>2</sub> " SAE-3000 PSI (TTF length 6 and larger)	G1/8"
1 <sup>1</sup> / <sub>2</sub> " SAE-3000 PSI (2nd port) + G1 <sup>1</sup> / <sub>2</sub> " (TTF length 6 and larger)	G1/8"
G2" (TTF length 6 and larger)	G1/8"
G2" + G1 <sup>1</sup> / <sub>2</sub> " (TTF length 6 and larger)	G1/8"

<b>Visual indicator</b>	1.2 bar
M10: code	FMUG1EBPM10L
G <sup>1</sup> / <sub>8</sub> : code	FMUG2EBPG02L

### Ordering Information

#### Standard products table

Part number	Supersedes	Flow (l/min)	Model number	Element length	Media rating (µ)	Seals	Indicator	Bypass settings	Ports	Included options	Replacement elements	Supersedes
TTF310QLBP2EG121	TTF90-G <sup>3</sup> / <sub>4</sub> TXWL3-10 B15 MM	90	TTF90	Length 3	10	Nitrile	Plugged	1.5 Bar (22 Psi)	G <sup>3</sup> / <sub>4</sub>	None	937878Q	TXWL3-10
TTF320QLBP2EG121	TTF90-G <sup>3</sup> / <sub>4</sub> TXWL3-20 B15 MM	90	TTF90	Length 3	20	Nitrile	Plugged	1.5 Bar (22 Psi)	G <sup>3</sup> / <sub>4</sub>	None	937877Q	TXWL3-20
TTF510QLBP2EG161	TTF125-G1 TXWL3E-10 B15 MM	125	TTF125	Length 5	10	Nitrile	Plugged	1.5 Bar (22 Psi)	G1	None	937852Q	TXWL3E-10
TTF520QLBP2EG161	TTF125-G1 TXWL3E-20 B15 MM	125	TTF125	Length 5	20	Nitrile	Plugged	1.5 Bar (22 Psi)	G1	None	937875Q	TXWL3E-20
TTF610QLBP2EG203	TTF170-G1 <sup>1</sup> / <sub>2</sub> TXWL4-10 T B15 MM	170	TTF170	Length 6	10	Nitrile	Plugged	1.5 Bar (22 Psi)	G1 <sup>1</sup> / <sub>2</sub>	Diffuser type T	937853Q	TXWL4-10
TTF620QLBP2EG203	TTF170-G1 <sup>1</sup> / <sub>2</sub> TXWL4-20 T B15 MM	170	TTF170	Length 6	20	Nitrile	Plugged	1.5 Bar (22 Psi)	G1 <sup>1</sup> / <sub>2</sub>	Diffuser type T	937874Q	TXWL4-20
TTF810QLBP2EG243	TTF300-G1 <sup>1</sup> / <sub>2</sub> TXWL5A-10 T B15 MM	300	TTF300	Length 8	10	Nitrile	Plugged	1.5 Bar (22 Psi)	G1 <sup>1</sup> / <sub>2</sub>	Diffuser type T	937855Q	TXWL5A-10
TTF820QLBP2EG243	TTF300-G1 <sup>1</sup> / <sub>2</sub> TXWL5A-20 T B15 MM	300	TTF300	Length 8	20	Nitrile	Plugged	1.5 Bar (22 Psi)	G1 <sup>1</sup> / <sub>2</sub>	Diffuser type T	937872Q	TXWL5A-20
TTF1010QLBP2EG24A	TTF500-G1 <sup>1</sup> / <sub>2</sub> TXWL5C-10 T B15 MM NMG	500	TTF500	Length 10	10	Nitrile	Plugged	1.5 Bar (22 Psi)	G1 <sup>1</sup> / <sub>2</sub>	Diffuser type T	937857Q	TXWL5C-10
TTF1020QLBP2EG24A	TTF500-G1 <sup>1</sup> / <sub>2</sub> TXWL5C-20 T B15 MM NMG	500	TTF500	Length 10	20	Nitrile	Plugged	1.5 Bar (22 Psi)	G1 <sup>1</sup> / <sub>2</sub>	Diffuser type T	937870Q	TXWL5C-20

Note: Filter assemblies ordered from the product configurator on the next page are on extended lead times. Where possible, please make your selection from the table above.

# TTF Series

## Tanktop Mounted Return Line Filters

### Ordering Information (cont.)

#### Product configurator

#### Configurator example of a TTF Series filter

Box 1 <b>TTF</b>	Box 2 <b>9</b>	Box 3 <b>05QL</b>	Box 4 <b>V</b>	Box 5 <b>S3</b>	Box 6 <b>H</b>	Box 7 <b>L24</b>	Box 8 <b>1</b>
---------------------	-------------------	----------------------	-------------------	--------------------	-------------------	---------------------	-------------------

Box 1	Box 2	Box 3
<b>Code</b>	<b>Filter type</b>	<b>Degree of filtration</b>
<b>TTF</b>	<b>Housing</b>	<b>Element media</b>
	<b>Code</b>	<b>Glass fibre</b>
	TTF 1-60	Microglass III (for disposable elements)
	TTF 1-90	<b>Cellulose</b>
	TTF 1-120	Nom. rating
	TTF 1-140	Ecoglass III (for <i>Leif</i> ® elements)
	TTF 1-175	<b>Wire mesh</b>
	TTF 1-150	Abs. rating
	TTF 1-170	Disposal element
	TTF 2-230	10C
	TTF 2-300	02Q
	TTF 2-400	05Q
	TTF 2-500	<b>10Q</b>
		<b>20Q</b>
		040W
		<b>LEIF® element</b>
		02QL
		<b>05QL</b>
		<b>10QL</b>
		<b>20QL</b>

Box 4	Seal type
<b>Seal material</b>	<b>Code</b>
Nitrile	<b>B</b>
Fluorelastomer	V
Neoprene	On request

Box 5	Indicator
	<b>Code</b>
	Pressure gauge, setting 1.2 bar, M10x1*
	<b>G1</b>
	Pressure gauge, setting 1.2 bar, G $\frac{1}{8}$ for dual head ports
	G2
	Pressure switch 42V, 1.2 bar setting, NO/NC, M10x1*
	<b>S1</b>
	Pressure switch 42V, 1.2 bar setting, NO with G $\frac{1}{8}$ BSP*
	S2
	Pressure switch 42V, 1.2 bar setting, NC with G $\frac{1}{8}$ BSP*
	S3
	Pressure switch 250V, NO/NC with G $\frac{1}{8}$ *
	S4
	Pressure switch 220V, NO/NC with M10*
	S5
	No indicator, indicator ports not machined
	On request
	No indicator, indicator ports L + R plugged
	<b>P2</b>
	Other settings for indicators / gauges on request
	on request

Box 6	Bypass valve
<b>Bypass valve</b>	<b>Code</b>
0.8 bar	B
1.5 bar	<b>E</b>
2.0 bar for TTF series	H
Blocked bypass	X
Other bypass settings	on request

Note: \* HEAD HAS PLUGGED INDICATOR CONNECTIONS L+R  
 Note: Also see the table indicator Connection/Filter Head Matrix on page 29

Box 7	Filter connection
<b>Ports</b>	<b>Code</b>
ISO 228-G $\frac{1}{4}$ " (BSP) (TTF length 2,3,4 and 5)	<b>G12</b>
ISO 228-G1" (BSP) (TTF length 2,3,4 and 5)	<b>G16</b>
ISO 228-G1 $\frac{1}{2}$ " (BSP) (TTF length 6 and larger)	<b>G20</b>
ISO 228-G1 $\frac{1}{2}$ " (BSP) (TTF length 6 and larger)	<b>G24</b>
2xISO 228-G1 $\frac{1}{2}$ " (BSP) (TTF length 6 and larger)	2G24
1 $\frac{1}{2}$ " SAE-3000 PSI (TTF length 6 and larger)	On request
1 $\frac{1}{2}$ " SAE-3000 PSI (2nd port) + G1 $\frac{1}{2}$ " (TTF length 6 and larger)	LD24
G2" (TTF length 6 and larger)	On request
G2" + G1 $\frac{1}{2}$ " (TTF length 6 and larger)	GM32

Box 8	Options
<b>Options</b>	<b>Code</b>
No diffuser required	<b>1</b>
Diffuser type T with perforated plate area	<b>3</b>
Diffuser type P without perforated plate area	4
Funnel with integrated hose connection for TTF lengths 2, 3 and 4	On request
No magnets	5
Plugged filling port	8
Diffuser type T and no magnets	<b>A</b>
Diffuser type P and no magnets	B
Diffuser type T, no magnets, plugged filling port	C
Diffuser type P, no magnets, plugged filling port	D
Air tight diffuser type T	G
Air tight diffuser type P	H
Other combinations	on request
ATEX certified*	EX
(Category 2, non-electrical equipment)	

Note 1: TTF size 2-400 and 2-500 are standard supplied without magnets.  
 Note 2\*: For ATEX classified filters add EX after the code.  
 For ATEX classified filters with electrical indicator are available on request.  
 Visual indicators are classified as Category 2, non electrical equipment.  
 Filter assemblies with EX code will be supplied with a dedicated name plate.  
 Pls consult Parker Filtration for any questions related to the classification of our products.

Degree of filtration						Media code
Average filtration beta ratio $\beta$ (ISO 16889) / particle size $\mu\text{m}$ [c]						
$\beta(x)=2$	$\beta(x)=10$	$\beta(x)=75$	$\beta(x)=100$	$\beta(x)=200$	$\beta(x)=1000$	
% efficiency, based on the above beta ratio ( $\beta(x)$ )						
50.0%	90.0%	98.7%	99.0%	99.5%	99.9%	
N/A	N/A	N/A	N/A	N/A	4.5	<b>02Q/02QL</b>
N/A	N/A	4.5	5	6	7	<b>05Q/05QL</b>
N/A	6	8.5	9	10	12	<b>10Q/10QL</b>
6	11	17	18	20	22	<b>20Q/20QL</b>

#### Highlights Key (Denotes part number availability)

<b>123</b>	Item is standard
<b>123</b>	Item is standard green option
<b>123</b>	Item is semi standard
123	Item is non standard

## Ordering Information (cont.)

### Supersedes Spare Element table (TXWL & PXWL replaced by 900000 number)

TTF60	TXWL2-2	TXWL2-5	TXWL2-10	TXWL2-20
Part number spare element	937823Q	937880Q	937881Q	937882Q
TTF90	TXWL3-2	TXWL3-5	TXWL3-10	TXWL3-20
Part number spare element	937824Q	937879Q	937878Q	937877Q
TTF120	TXWL3D-2	TXWL3D-5	TXWL3D-10	TXWL3D-20
Part number spare element	937825Q	937850Q	937851Q	937876Q
TTF150	TXWL3E-2	TXWL3E-5	TXWL3E-10	TXWL3E-20
Part number spare element	937826Q	937849Q	937852Q	937875Q
TTF170	TXWL4-2	TXWL4-5	TXWL4-10	TXWL4-20
Part number spare element	937827Q	937848Q	937853Q	937874Q
TTF230	TXWL5-2	TXWL5-5	TXWL5-10	TXWL5-20
Part number spare element	937828Q	937847Q	937854Q	937873Q
TTF300	TXWL5A-2	TXWL5A-5	TXWL5A-10	TXWL5A-20
Part number spare element	937829Q	937846Q	937855Q	937872Q
TTF400	TXWL5B-2	TXWL5B-5	TXWL5B-10	TXWL5B-20
Part number spare element	937830Q	937845Q	937856Q	937871Q
TTF500	TXWL5C-2	TXWL5C-5	TXWL5C-10	TXWL5C-20
Part number spare element	937831Q	937844Q	937857Q	937870Q

### Supersedes Spare Element table (TXW & TXX replaced by 900000 number)

TTF60	TXW2-10-B	TXW2-2-B	TXW2-5-B	TXW2-10-B	TXW2-20-B	ST2-40-B
Part number spare element	937721	937751Q	937754Q	937787Q	937790Q	937820
TTF90	TXX3-10-B	TXW3-2-B	TXW3-5-B	TXW3-10-B	TXW3-20-B	ST3-40-B
Part number spare element	937722	937750Q	937755Q	937786Q	937791Q	937819
TTF120	TXX3D-10-B	TXW3D-2-B	TXW3D-5-B	TXW3D-10-B	TXW3D-20-B	ST3D-40-B
Part number spare element	937723	937749Q	937756Q	937785Q	937792Q	937818
TTF140	FC1260.C010.BS	FC1260.Q002.XS	FC1260.Q005.XS	FC1260.Q010.XS	FC1260.Q020.XS	
Part number spare element	1180309260-01	937977Q	937978Q	937956Q	937957Q	
TTF150	TXX3E-10-B	TXW3E-2-B	TXW3E-5-B	TXW3E-10-B	TXW3E-20-B	ST3E-40-B
Part number spare element	937724	937748Q	937757Q	937784Q	937793Q	937817
TTF170	TXX4-10-B	TXW4-2-B	TXW4-5-B	TXW4-10-B	TXW4-20-B	ST4-40-B
Part number spare element	937725	937747Q	937758Q	937783Q	937794Q	937816
TTF175		FC1275.Q002.XS	FC1275.Q005.XS	FC1275.Q010.XS	FC1260.Q020.XS	
Part number spare element		937979Q	937980Q	937981Q	937982Q	
TTF230	TXX5-10-B	TXW5-2-B	TXW5-5-B	TXW5-10-B	TXW5-20-B	ST5-40-B
Part number spare element	937726	937746Q	937759Q	937782Q	937795Q	937815
TTF300	TXX5A-10-B	TXW5A-2-B	TXW5A-5-B	TXW5A-10-B	TXW5A-20-B	ST5A-40-B
Part number spare element	937727	937745Q	937760Q	937781Q	937796Q	937814

## TTF Series Seal Kit

TTF Filter connections	Nitrile Seal Kit
Ports	Part Number
ISO 228-G <sup>1</sup> / <sub>4</sub> " (BSP) (TTF length 2,3,4 and 5)	<b>2049010012</b>
ISO 228-G1" (BSP) (TTF length 2,3,4 and 5)	<b>2049010012</b>
ISO 228-G1 <sup>1</sup> / <sub>2</sub> " (BSP) (TTF length 6 and larger)	<b>2049010013</b>
2xISO 228-G1 <sup>1</sup> / <sub>2</sub> " (BSP) (TTF length 6 and larger)	<b>918045035</b>
ISO 228-G1 <sup>1</sup> / <sub>2</sub> " (BSP) (TTF length 6 and larger)	<b>2049010013</b>
2xISO 228-G1 <sup>1</sup> / <sub>2</sub> " (BSP) (TTF length 6 and larger)	<b>918045035</b>
1 <sup>1</sup> / <sub>2</sub> " SAE-3000 PSI (TTF length 6 and larger)	<b>918045035</b>
1 <sup>1</sup> / <sub>2</sub> " SAE-3000 PSI (2nd port) + G1 <sup>1</sup> / <sub>2</sub> " (TTF length 6 and larger)	<b>918045035</b>
G2" (TTF length 6 and larger)	<b>918045035</b>
G2" + G1 <sup>1</sup> / <sub>2</sub> " (TTF length 6 and larger)	<b>918045035</b>